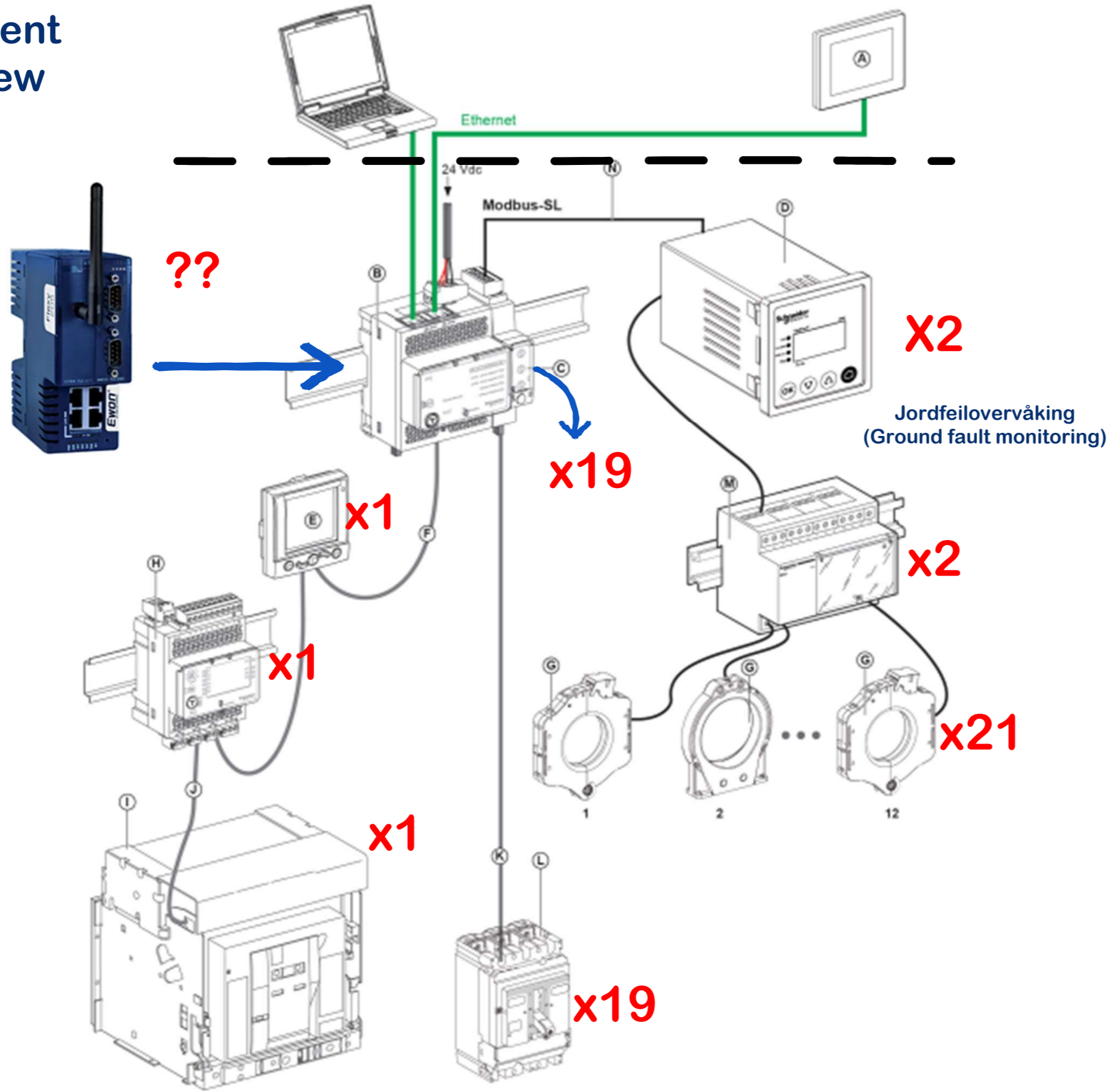
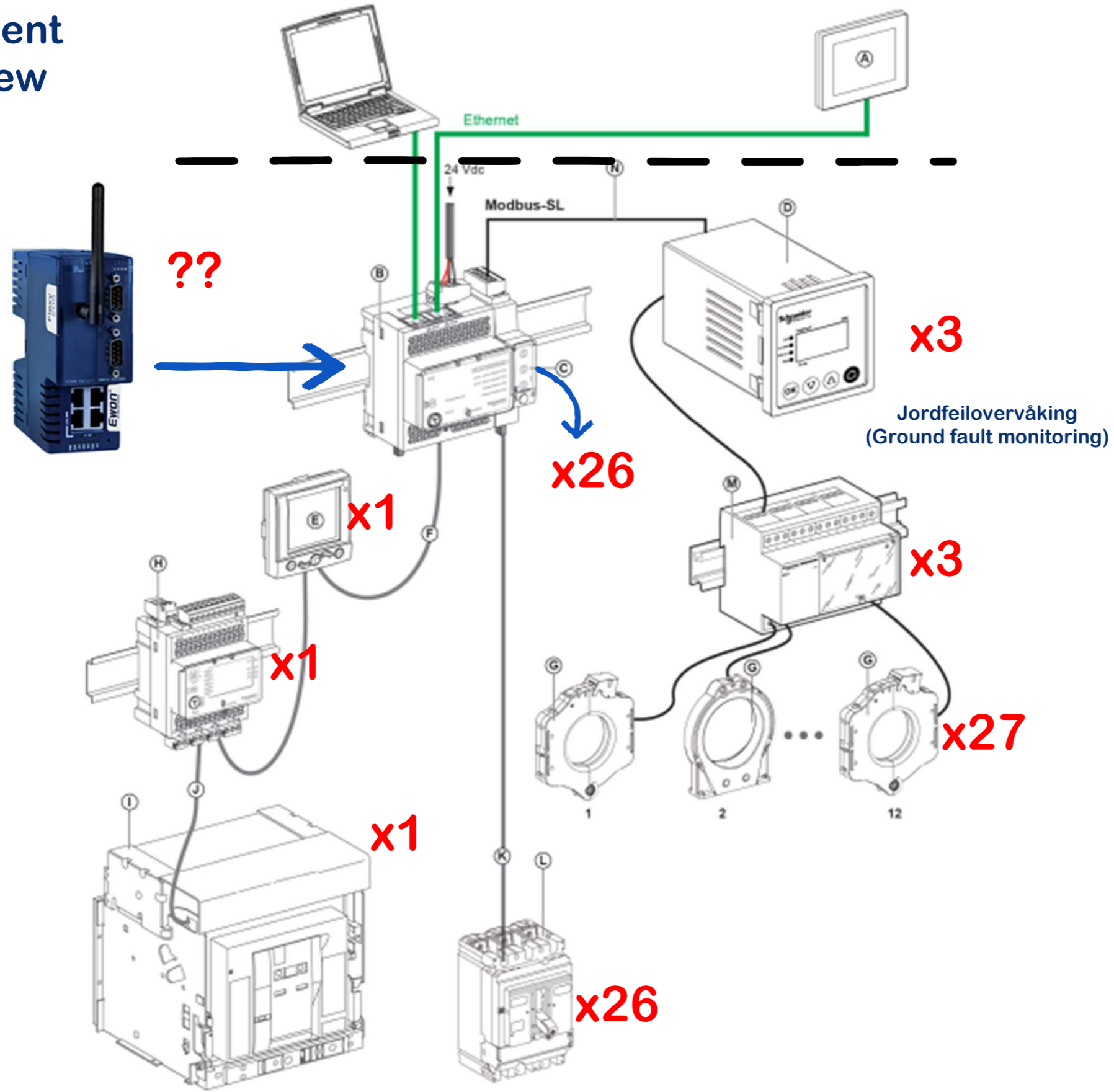



# OU200 equipment overview



# OU300 equipment overview



- 
- B IFE Ethernet switchboard server
  - C IFM Modbus-SL interface for one circuit breaker
  - D VigiPacT RMH monitoring relay
  - E FDM121 ULP display for one circuit breaker
  - F RJ45 male/male ULP cord
  - G VigiPacT toroid (up to 12 toroids)
  - H IO input/output application module for one circuit breaker
  - I MasterPact NT/NW circuit breaker
  - J Circuit breaker BCM ULP cord
  - K NSX cord
  - L ComPacT NSX/PowerPacT H-, J-, L-frame circuit breaker
  - M VigiPacT RM12T multiplexer
  - N Cable for Modbus SL-1x RJ45 and 1x Free wires

# OU500 equipment overview

Circuit breaker  
NSX



x4

C



x4

