

4G Cabled Antenna

for Ewon Cosy 131 APAC

SOLUTION SHEET

KB-0290-00 1.0 en-US ENGLISH



Important User Information

Disclaimer

The information in this document is for informational purposes only. Please inform HMS Industrial Networks of any inaccuracies or omissions found in this document. HMS Industrial Networks disclaims any responsibility or liability for any errors that may appear in this document.

HMS Industrial Networks reserves the right to modify its products in line with its policy of continuous product development. The information in this document shall therefore not be construed as a commitment on the part of HMS Industrial Networks and is subject to change without notice. HMS Industrial Networks makes no commitment to update or keep current the information in this document.

The data, examples and illustrations found in this document are included for illustrative purposes and are only intended to help improve understanding of the functionality and handling of the product. In view of the wide range of possible applications of the product, and because of the many variables and requirements associated with any particular implementation, HMS Industrial Networks cannot assume responsibility or liability for actual use based on the data, examples or illustrations included in this document nor for any damages incurred during installation of the product. Those responsible for the use of the product must acquire sufficient knowledge in order to ensure that the product is used correctly in their specific application and that the application meets all performance and safety requirements including any applicable laws, regulations, codes and standards. Further, HMS Industrial Networks will under no circumstances assume liability or responsibility for any problems that may arise as a result from the use of undocumented features or functional side effects found outside the documented scope of the product. The effects caused by any direct or indirect use of such aspects of the product are undefined and may include e.g. compatibility issues and stability issues.

Table of Contents

Page

1	Preface	3
1.1	About This Document	3
1.2	Document History	3
1.3	Related Documents	3
1.4	Trademark Information	3
2	Material Description	4
3	Technical Drawing	5
4	Specifications.....	7
5	Part Number	8
6	References	9

This page intentionally left blank

1 Preface

1.1 About This Document

The present document describes the 4G cabled antenna that can be combined with a cellular Cosy 131 APAC device.

For additional related documentation and file downloads, please visit www.ewon.biz/support.

1.2 Document History

Version	Date	Description
1.0	2019-02-11	First release

1.3 Related Documents

Document	Author	Document ID
----------	--------	-------------

1.4 Trademark Information

Ewon[®] is a registered trademark of HMS Industrial Networks SA. All other trademarks mentioned in this document are the property of their respective holders.

2 Material Description

This antenna is an omni-directional broad band antenna for Ewon Cosy 131 APAC with cellular connectivity. It is a high performance screw mount wide-band cellular antenna for external use on vehicles and outdoor assets worldwide

Omni-directional high gain and high efficiency across all bands ensures constant reception and transmission.

3 Technical Drawing

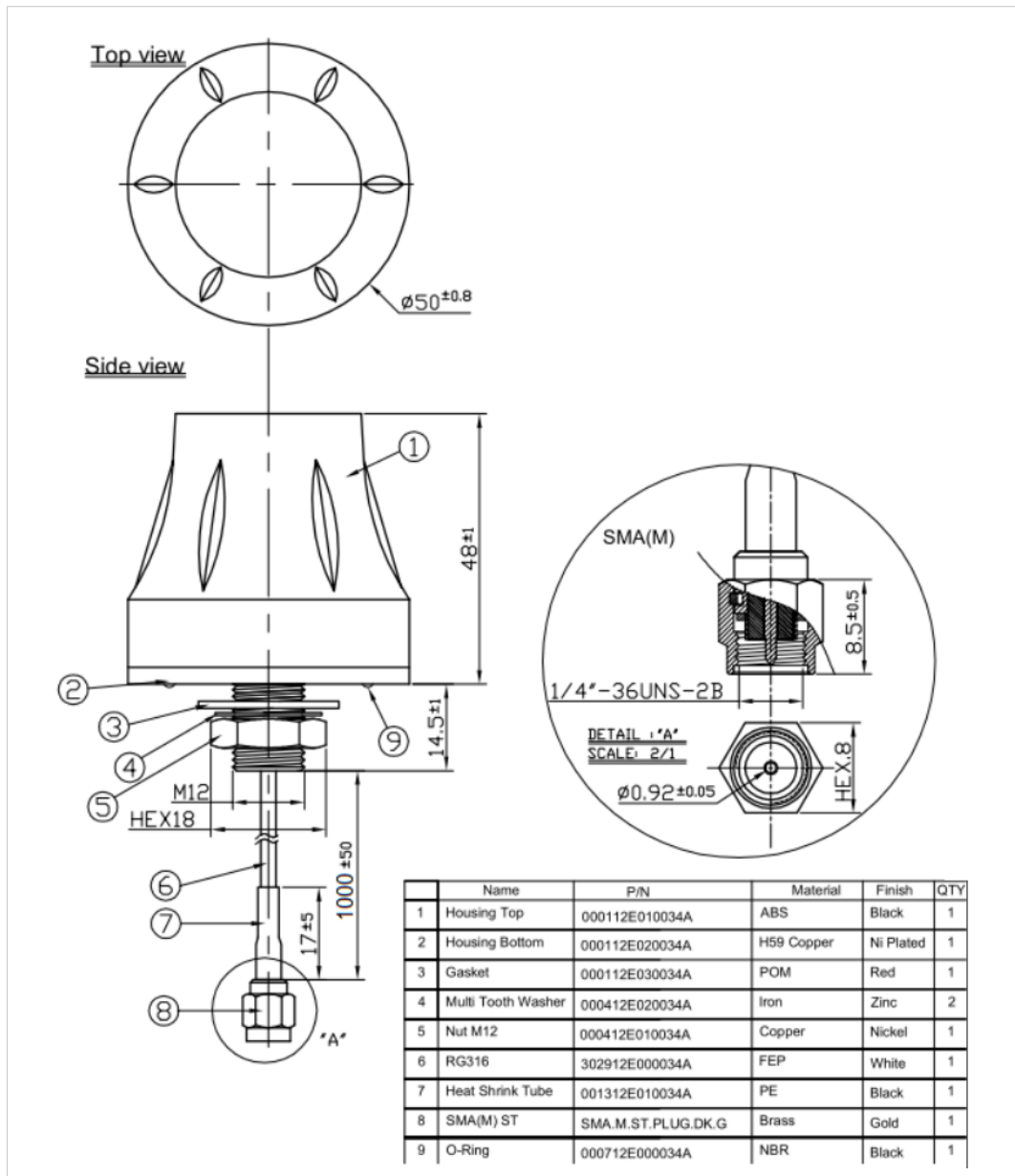


Fig. 1 Technical drawing

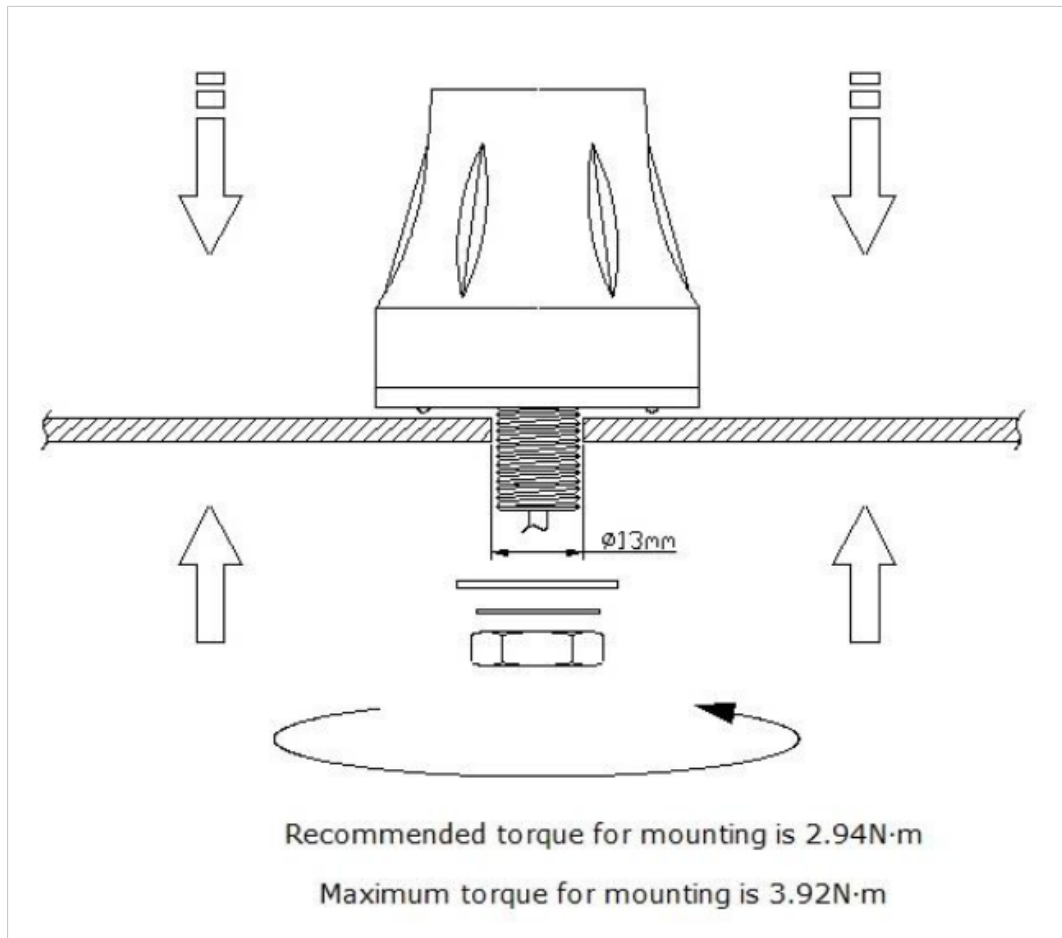


Fig. 2 Installation

4 Specifications

ELECTRICAL				
ANTENNA	G30			
STANDARD	2G/3G/4G/2.4GHz			
Operation Frequency (MHz)	700~960 MHz	1710~2170 MHz	2500~2800MHz	2400~2483MHz
Peak Gain	1.2 dBi	3.2dBi	2.5dBi	1.5dBi
Average Gain	-4.5 dB	-2.5dB	-4.5dB	-4.5dB
Efficiency	40%	55%	40%	38%
VSWR	<3.0:1			
Impedance	50Ω			
Polarization	Linear			
Radiation Properties	Omni-directional			
Max Input Power	5 W			
* The G30 antenna performance was measured with 30X30 cm metal plate.				
MECHANICAL				
Dimensions (mm)	Height=48mm and Diameter=50mm			
Cable	Length=1m RG316*			
Casing	UV Resistant ABS			
Base and Thread	Nickel plated steel			
Weather proof gasket	CR4305 foam with 3M9448B double-side adhesive			
Connector	SMA(M) Fully Customizable			
Nut	Nut M12 -			
Sealant	Rubber Stopper			
Weight	66g			
Recommended Torque	2.94N·m			
Max Torque	3.92N·m			
*Minimum cable length 1M				
ENVIRONMENTAL				
Protection	IP69K(DIN 4005-9/IEC 60529)			
Corrosion	5% NACI for 96hrs- Nickel plated steel base and thread			
Temperature Range	40°C to +85°C			
Thermal Shock	100 cycles -40 C to +885 C			
Humidity	Non-condensing 65 C 95% RH			
Shock (Drop Test)	1m drop on concrete 6 axes			
Cable Pull	8Kgf			

Fig. 3 Specifications

5 Part Number

Item	EWON P/N	Manufacturer	Manufacturer P/N
Antenna + Cable	FAC90801_0000	Taoglas	G30.B.108111

6 References

All the above content is based on the Taoglas documentation: <http://www.taoglas.com>

