

**InteliGen
InteliSys
InteliMains**

**Communication Guide for
ComAp Controllers**

1 Document information	7
2 Controllers communication capabilities	11
3 Applications overview	24
4 Remote monitoring	47
5 Peripheral modules	62
6 Connection	78
7 Communication	83
8 Converters	119
9 Modbus Connection	130
10 Modbus Appendix	147

Table of contents

1 Document information	7
1.1 Clarification of notation	7
1.2 About this guide	7
1.3 Legal notice	7
1.4 Document history	9
1.5 Definition of terms	9
2 Controllers communication capabilities	11
2.1 IG/IS/IM-NTC-BB – Communications	12
2.2 IG/IS/IM-NTC-BB – Terminals	13
2.3 IG/IS/IM-NTC-BB – Peripheral modules	14
2.4 IG/IS/IM-NTC-BB – Jumpers settings	15
2.5 IG/IM-NT-BB – Communication	16
2.6 IG/IM-NT-BB – Terminal	17
2.7 IG/IM-NT-BB – Peripheral modules	18
2.8 IG/IM-NT-BB – Jumper settings	19
2.9 IG-NT – Communications, Terminals	20
2.10 IG-NTC – Communication, Terminals	21
2.11 IS-NT-BB – Communications, Terminals	22
2.12 IM-NT – Communications, Terminals	23
3 Applications overview	24
3.1 Direct PC connection to Single Gen-set	24
3.1.1 RS232 connection	24
3.1.2 USB connection	25
3.1.3 RS485 connection	26
3.1.4 Ethernet connection (Direct)	27
3.2 Direct PC connection to Multiple gen-sets	29
3.2.1 RS485 connection	29
3.2.2 RS232/485 connection (I-LB+)	31
3.2.3 USB connection via I-LB+ module	32
3.2.4 Ethernet connection via IB-NT	34
3.2.5 Ethernet connection (Direct)	35
3.3 Monitoring Local on site – MODBUS	36
3.3.1 RS232 Modbus	36
3.3.2 RS485 Modbus	38
3.3.3 Ethernet – MODBUS/TCP (Direct)	39

3.4 Modbus – Multiple Gen-sets	41
3.4.1 RS485 – MODBUS	41
3.4.2 RS232/RS485 – MODBUS (I-LB+)	42
3.4.3 Ethernet – MODBUS (IB-NT)	43
3.5 Access to password protected objects	45
4 Remote monitoring	47
4.1 Connection to Internet (Direct)	47
4.1.1 Controllers	48
4.1.2 Equipment	49
4.1.3 Available software for IG/IS-NT	49
4.2 Internet connection via AirGate	49
4.3 WebSupervisor	52
4.4 Web interface	53
4.4.1 Scada	54
4.4.2 Measurement	55
4.4.3 Setpoints	55
4.4.4 History	56
4.4.5 Web server adjustment	57
4.5 Internet connection via cellular network	58
4.5.1 Connection via Internet bridge IB-NT	58
4.5.2 Active Call	58
4.6 Active SMS	59
4.6.1 Active E-mail (SMS E-mail)	60
4.7 Access Lock	61
5 Peripheral modules	62
5.1 Displays	62
5.1.1 IntelliVision 12Touch display	62
5.1.2 IntelliVision 8 display	63
5.1.3 IntelliVision 5 display	64
5.2 Comms extension – I-LB+ Local bridge	64
5.2.1 Jumper settings	66
5.2.2 Jumper selection tree	66
5.3 I-CR Module for CAN Bus Extension	67
5.3.1 I-CR module functions	68
5.3.2 I-CR configuration jumpers	68
5.4 I-CR-R Module for CAN Bus Redundancy	68
5.5 I-CR-R module properties	70
5.5.1 I-CR-R module functions	70

5.5.2 I-CR-R configuration jumpers	71
5.5.3 I-CR-R indication and diagnostic LEDs	72
5.6 Commands for IGS-NT and IntelliSys Gas	73
5.7 Commands for IM-NT	76
6 Connection	78
6.1 Recommended CAN/RS485 connection	78
6.1.1 CAN bus connection	78
6.1.2 CAN / fiber optic converter	79
6.1.3 CAN / Ethernet gateway	80
6.1.4 RS485 connection	81
6.1.5 Termination Resistors	82
6.1.6 Bias Resistors	82
7 Communication	83
7.1 Communication cables	83
7.1.1 RS485 cable	83
7.1.2 CAN bus cable	84
7.1.3 RS232 cable	84
7.1.4 Cables for direct and modem connections	84
7.1.5 USB cable	85
7.1.6 Ethernet cable	86
7.2 SMS Message command	86
7.2.1 Controller address	86
7.2.2 Access code	86
7.2.3 Read value or setpoint	87
7.2.4 Adjust setpoint	87
7.2.5 Enter password	87
7.2.6 Gen-set control	88
7.2.7 Read Alarm list	88
7.2.8 Time delay	89
7.2.9 Remote switches (IG/IS-NT only)	89
7.2.10 ExtValues (IG/IS-NT only)	89
7.2.11 Answer message	90
7.2.12 Examples of SMS commands	90
7.3 Modbus Communication	91
7.3.1 Data reading	92
7.3.2 Data writing	92
7.4 Examples of Modbus Communication	94
7.4.1 Battery voltage – reading (read multiple registers)	95

7.4.2 Values (Oil press, Water temp, Fuel level) – reading	97
7.4.3 Binary input – reading	98
7.4.4 Password decode – reading	98
7.4.5 Gen-set name – reading	99
7.4.6 Engine state – reading	100
7.4.7 Gear teeth – writing	101
7.4.8 Nominal Power – writing	101
7.4.9 Mode – writing	102
7.4.10 Reset/Confirm Alarm	103
7.4.11 Remote Switch 1-8 – Set (Remote Control 1-8)	104
7.4.12 External Value1 – writing	105
7.4.13 User & Password – in two steps	106
7.4.14 User & Password – in one step	107
7.4.15 Start the engine – in one step	107
7.4.16 Start the engine – in two steps	108
7.4.17 History – reading	108
7.4.18 AlarmList reading	110
7.4.19 Change the communication language (only String type data)	111
7.5 Reserved communication objects	112
7.6 Replacing InternetBridge-NT	114
7.6.1 Sites with "NT" family controllers	114
7.6.2 Sites with new controller families	115
7.6.3 Combined sites	118
8 Converters	119
8.1 Converter RS232 ↔ RS485	119
8.1.1 General properties of RS232 to RS485 converters:	119
8.1.2 Recommended converters	120
8.2 RS232 Bluetooth adapter	120
8.2.1 Recommended adapter	120
8.3 Converter USB ↔ RS232	120
8.3.1 Recommended converters	121
8.4 Converter USB ↔ RS485	121
8.4.1 Recommended converter	121
8.5 Converter CAN ↔ CAN	122
8.5.1 Recommended converter	122
8.6 Recommended optical USB extension cables	122
8.6.1 Radio Link	122
8.6.2 Recommended equipment	123
8.7 Converter Modbus RTU ↔ Profibus	123

8.7.1 GE Digital Energy – P485 Modbus to Profibus Converter	123
8.7.2 Converter settings	123
8.7.3 Setup example (using wizard)	124
8.7.4 Controller settings	127
8.8 Anybus Communicator – Modbus RTU to Profibus and other communication standards	128
8.8.1 Ethernet converter from twisted pair(UTP/STP) to optic	128
8.8.2 Recommended equipment	128
9 Modbus Connection	130
9.1 Modbus Step by Step	130
9.2 Important setpoints in the controller	130
9.2.1 Modbus communication via RS232 – single controller	131
9.2.2 Modbus communication via RS485	131
9.2.3 Modbus communication via RS485 – multiple controllers	131
9.2.4 Modbus communication via I-LB+	132
9.2.5 Modbus communication via IB-NT	132
9.3 Modbus Protocol Description	133
9.3.1 Modbus TCP	133
9.3.2 Modbus RTU	135
9.3.3 Alarm list reading	140
9.3.4 History reading	144
9.4 Check field calculation	144
9.5 How get numbers of Modbus communication objects	144
9.6 User Modbus	145
10 Modbus Appendix	147
10.1 Modbus Switches	147
10.2 Data types	148
10.3 Communication status	149
10.4 Error list	151

1 Document information

1.1 Clarification of notation	7
1.2 About this guide	7
1.3 Legal notice	7
1.4 Document history	9
1.5 Definition of terms	9

1.1 Clarification of notation

Note: This type of paragraph calls readers attention to a notice or related theme.

IMPORTANT: This type of paragraph highlights a procedure, adjustment etc., which can cause a damage or improper function of the equipment if not performed correctly and may not be clear at first sight.

Example: This type of paragraph contains information that is used to illustrate how a specific function works.

1.2 About this guide

There are following types of communication between controller(s) and superior system in the controller:

- ▶ Local (on site) communication
 - via ComAp software
 - via MODBUS (MODBUS RTU or MODBUS TCP)
- ▶ Remote communication
 - via Ethernet
 - via Internet (AirGate)
 - via MODEM

These types of connections are available via RS232, RS485, USB, ETHERNET communication ports.

1.3 Legal notice

This End User's Guide/Manual as part of the Documentation is an inseparable part of ComAp's Product and may be used exclusively according to the conditions defined in the "END USER or Distributor LICENSE AGREEMENT CONDITIONS – COMAP CONTROL SYSTEMS SOFTWARE" (License Agreement) and/or in the "ComAp a.s. Global terms and conditions for sale of Products and provision of Services" (Terms) and/or in the "Standardní podmínky projektů komplexního řešení ke smlouvě o dílo, Standard Conditions for Supply of Complete Solutions" (Conditions) as applicable.

ComAp's License Agreement is governed by the Czech Civil Code 89/2012 Col., by the Authorship Act 121/2000 Col., by international treaties and by other relevant legal documents regulating protection of the intellectual properties (TRIPS).

The End User and/or ComAp's Distributor shall only be permitted to use this End User's Guide/Manual with ComAp Control System Registered Products. The Documentation is not intended and applicable for any other purpose.

Official version of the ComAp's End User's Guide/Manual is the version published in English. ComAp reserves the right to update this End User's Guide/Manual at any time. ComAp does not assume any responsibility for its use outside of the scope of the Terms or the Conditions and the License Agreement.

Licensed End User is entitled to make only necessary number of copies of the End User's Guide/Manual. Any translation of this End User's Guide/Manual without the prior written consent of ComAp is expressly prohibited!

Even if the prior written consent from ComAp is acquired, ComAp does not take any responsibility for the content, trustworthiness and quality of any such translation. ComAp will deem a translation equal to this End User's Guide/Manual only if it agrees to verify such translation. The terms and conditions of such verification must be agreed in the written form and in advance.

For more details relating to the Ownership, Extent of Permitted Reproductions Term of Use of the Documentation and to the Confidentiality rules please review and comply with the ComAp's License Agreement, Terms and Conditions available on www.comap-control.com.

Security Risk Disclaimer

Pay attention to the following recommendations and measures to increase the level of security of ComAp products and services.

Please note that possible cyber-attacks cannot be fully avoided by the below mentioned recommendations and set of measures already performed by ComAp, but by following them the cyber-attacks can be considerably reduced and thereby to reduce the risk of damage. ComAp does not take any responsibility for the actions of persons responsible for cyber-attacks, nor for any damage caused by the cyber-attack. However, ComAp is prepared to provide technical support to resolve problems arising from such actions, including but not limited to restoring settings prior to the cyber-attacks, backing up data, recommending other preventive measures against any further attacks.

Warning: Some forms of technical support may be provided against payment. There is no legal or factual entitlement for technical services provided in connection to resolving problems arising from cyber-attack or other unauthorized accesses to ComAp's Products or Services.

General security recommendations and set of measures

1. AccessCode

- Change the AccessCode BEFORE the device is connected to a network.
- Use a secure AccessCode – ideally a random string of 8 characters containing lowercase, uppercase letters and digits.
- For each device use a different AccessCode.

2. Password

- Change the password BEFORE the device enters a regular operation.
- Do not leave displays or PC tools unattended if an user, especially administrator, is logged in.

3. Controller Web interface

- The controller web interface at port TCP/80 is based on http, not https, and thus it is intended to be used only in closed private network infrastructures.
- Avoid exposing the port TCP/80 to the public Internet.

4. MODBUS/TCP

- The MODBUS/TCP protocol (port TCP/502) is an instrumentation protocol designed to exchange data between locally connected devices like sensors, I/O modules, controllers etc. From it's nature it does not

contain any kind of security – neither encryption nor authentication. Thus it is intended to be used only in closed private network infrastructures.

- Avoid exposing the port TCP/502 to the public Internet.

5. SNMP

- The SNMP protocol (port UDP/161) version 1,2 is not encrypted. Thus it is intended to be used only in closed private network infrastructures.
- Avoid exposing the port UDP/161 to the public Internet.

1.4 Document history

Revision number	Date	Author
6	November 2019	Martin Klíma
5	November 2019	Martin Klíma
4	October 2019	Jakub Suchý
3	April 2019	Milan Matějka
2	March 2019	Radovan Hosek
1	October 2018	Jan Tomandl

1.5 Definition of terms

- ▶ Local connection
 - Type of connection using direct connection on site via protocol of ports on the controller. Length of connection is given by protocol specification.
- ▶ Remote connection
 - Type of connection using standard communication lines such as Internet, modem connection and GSM connection for communication between controller and other superior device.
- ▶ Comap Protocol
 - Communication between PC with ComAp software (InteliMonitor, GenConfig) and controller is running on this protocol.
- ▶ 3rd party software
 - Software using standardized protocol for sharing of data between particular systems (for example Modbus RTU, Modbus TCP etc.).
- ▶ Single gen-set communication
 - This type of connection allows communication only with one controller. Communication with other controllers on site via this type of connection is not possible.
- ▶ Multiple gen-set communication
 - This type of connection allows communication with more than one controller on site via single communication link.
- ▶ Monitoring
 - Type of communication used for continuous displaying of process data and process control of the system.

► Configuration

- Type of communication used for writing of configuration file into the controller.

Note: There are used some abbreviations for resolution of all hardware variations of IGS -NT controllers in this document. These abbreviations correspond with order codes of each HW variation (see the table below).

InteliSys NTC Basebox	IS-NTC-BB
InteliSys NT	IS-NT-BB
InteliGen NTC Basebox	IG-NTC-BB
InteliGen NT Basebox	IG-NT-BB
InteliGen NTC	IG-NTC
InteliGen NT	IG-NT
InteliMains NTC Basebox	IM-NTC-BB
InteliMains NT Basebox	IM-NT-BB
InteliMains NT	IM-NT

Note: In abbreviation the "C" means "Communications" – controller with extended communication ports. The "BaseBox" controller has not inbuilt LCD panel, it is recommended to use IV5, IV8 or IV12 remote display. Abbreviation "IGS-NT" stands for IG-NT or IS-NT and it is used to describe common features of both products.

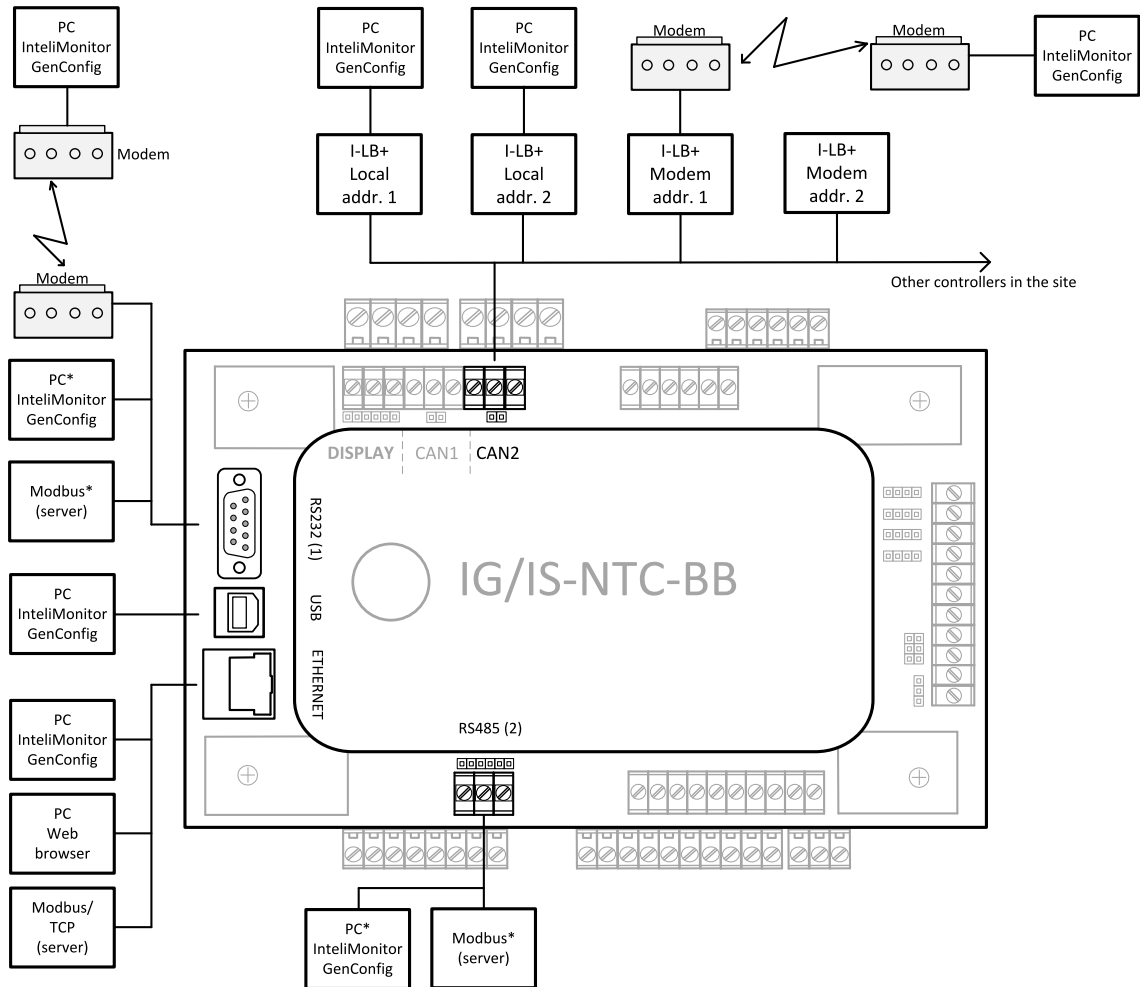
🔍 back to Document information

2 Controllers communication capabilities

2.1 IG/IS/IM-NTC-BB – Communications	12
2.2 IG/IS/IM-NTC-BB – Terminals	13
2.3 IG/IS/IM-NTC-BB – Peripheral modules	14
2.4 IG/IS/IM-NTC-BB – Jumpers settings	15
2.5 IG/IM-NT-BB – Communication	16
2.6 IG/IM-NT-BB – Terminal	17
2.7 IG/IM-NT-BB – Peripheral modules	18
2.8 IG/IM-NT-BB – Jumper settings	19
2.9 IG-NT – Communications, Terminals	20
2.10 IG-NTC – Communication, Terminals	21
2.11 IS-NT-BB – Communications, Terminals	22
2.12 IM-NT – Communications, Terminals	23

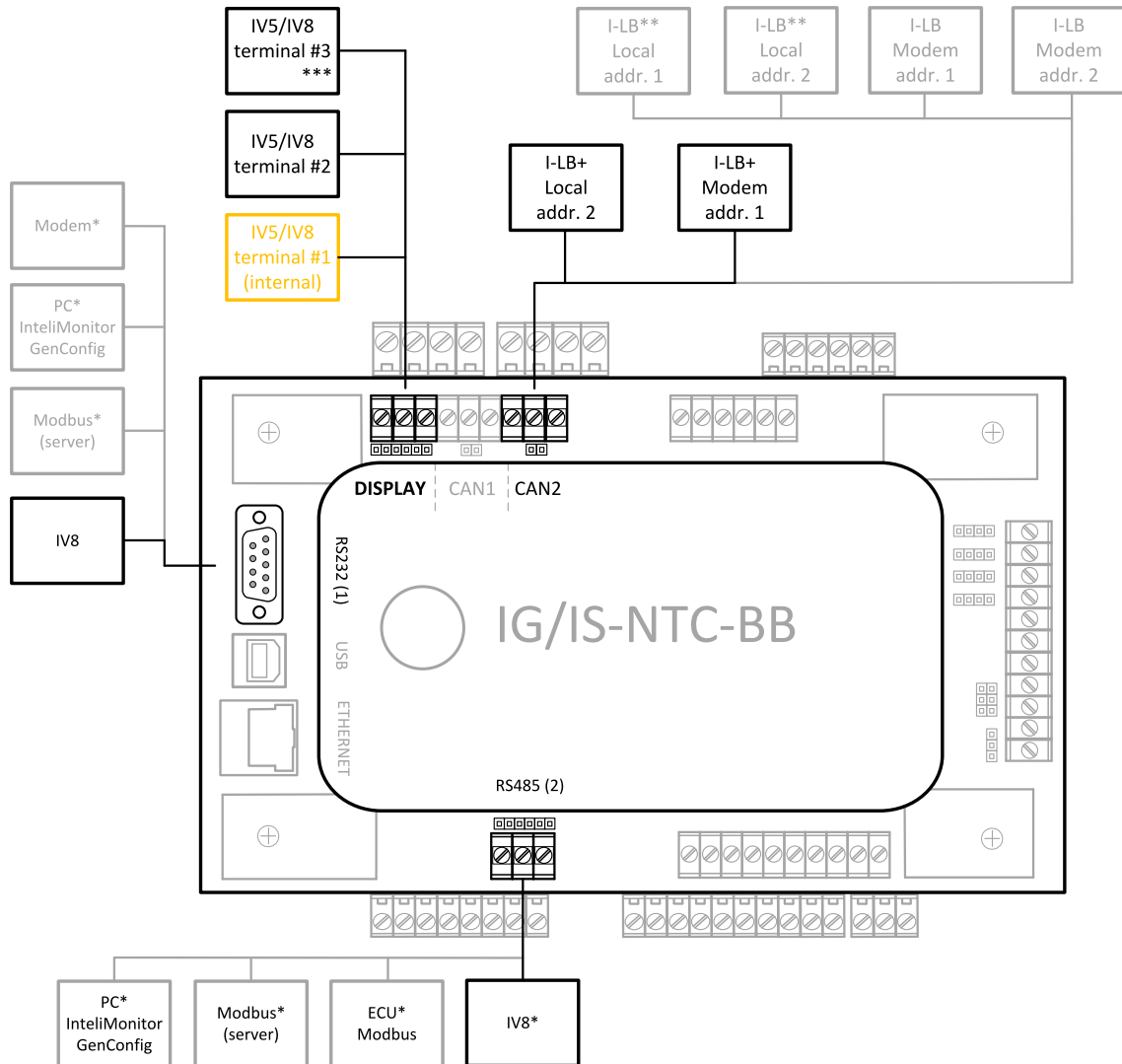
 [back to Table of contents](#)

2.1 IG/IS/IM-NTC-BB – Communications



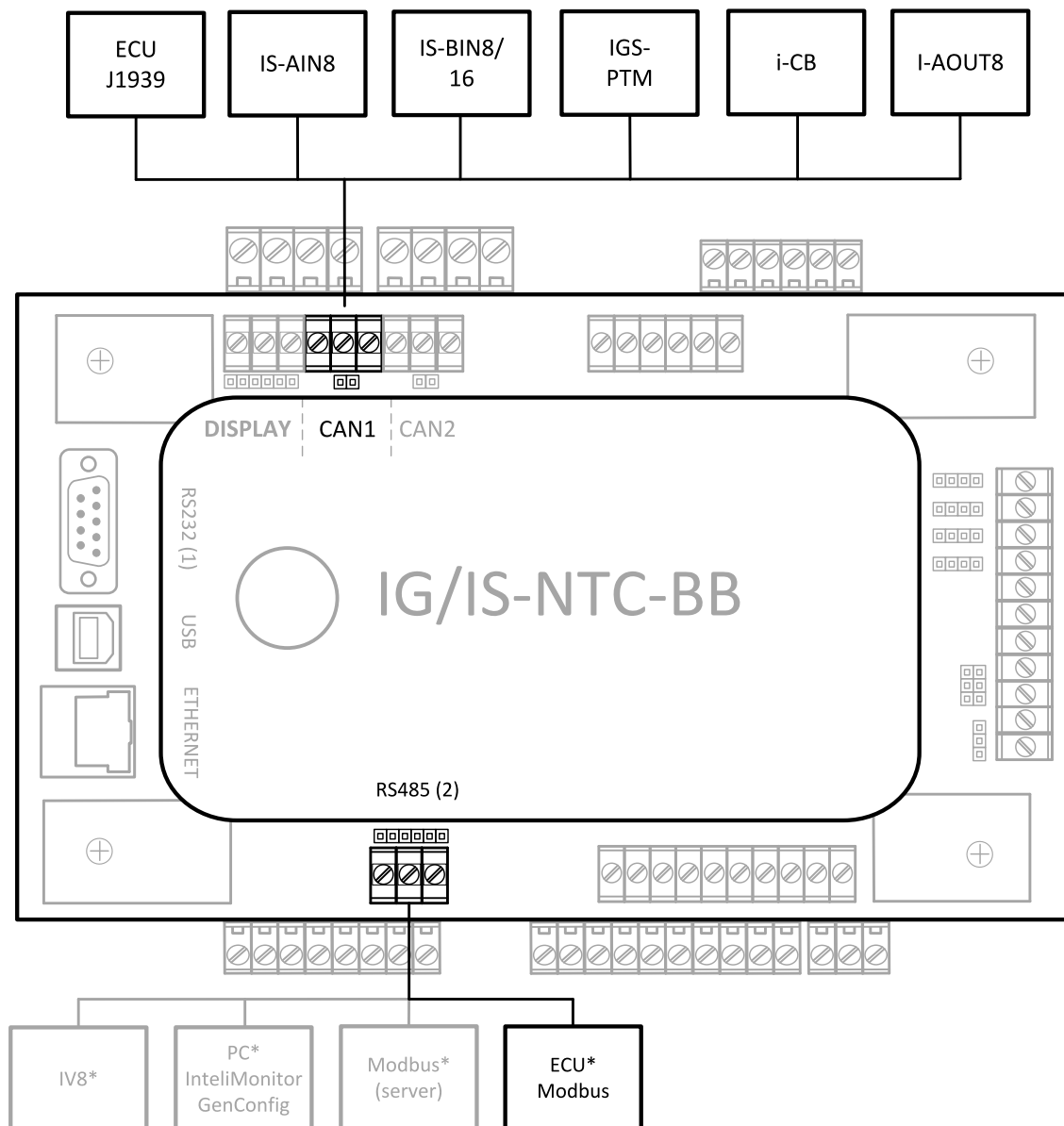
* Only one device can be connected to the respective communication port, device type is selectable by the setpoint.

2.2 IG/IS/IM-NTC-BB – Terminals



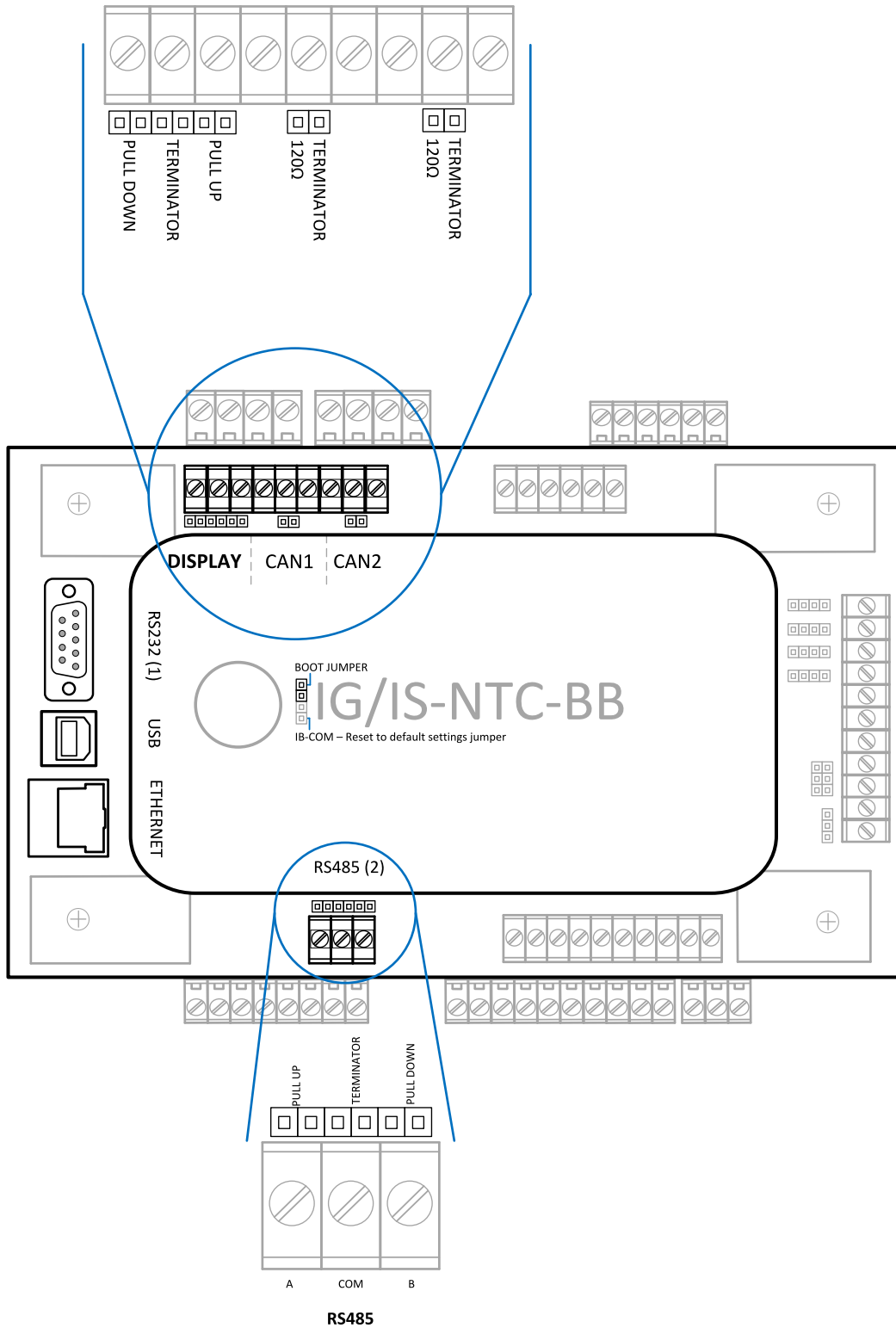
- * Only one device can be connected to the respective communication port, device type is selectable by the setpoint
- ** The CAN local address 1 and 2 can be used either for an I-LB or an IV8
- *** Only for IS-NTC-BB

2.3 IG/IS/IM-NTC-BB – Peripheral modules

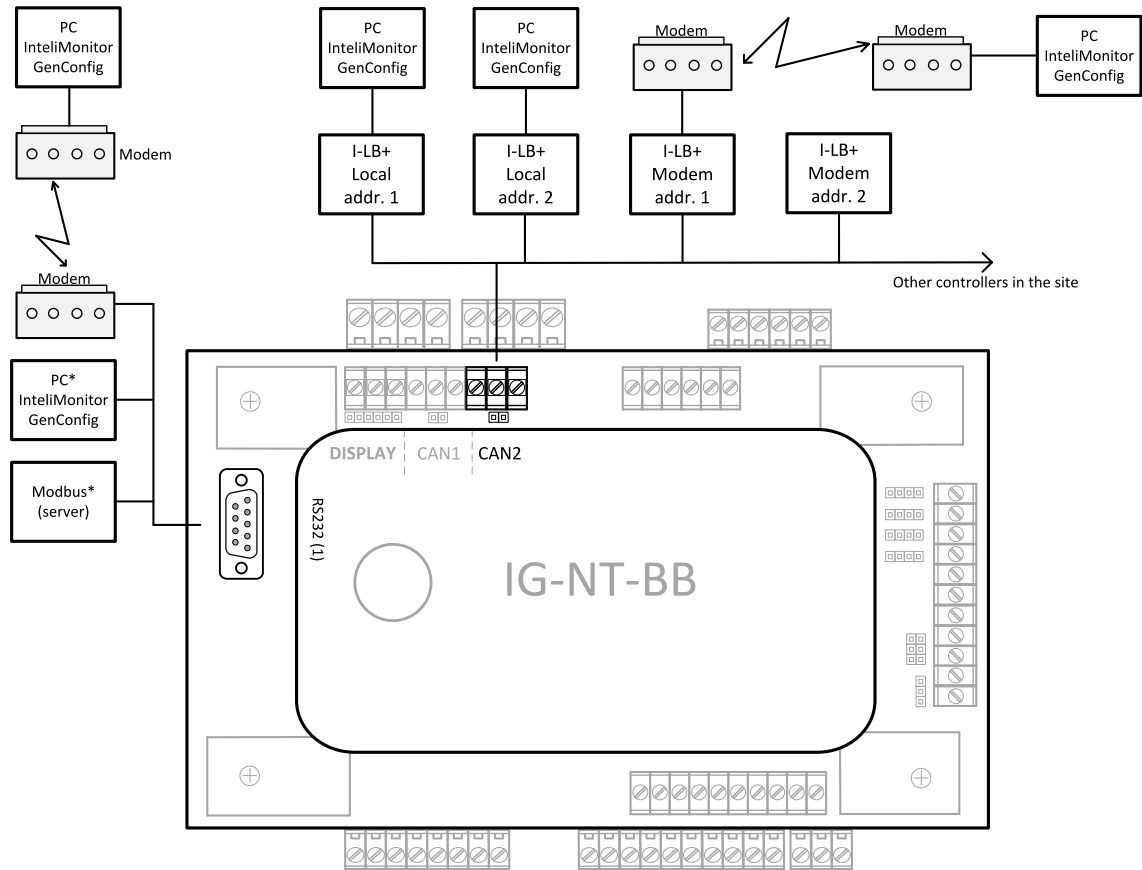


* Only one device can be connected to the respective communication port, device type is selectable by the setpoint

2.4 IG/IS/IM-NTC-BB – Jumpers settings

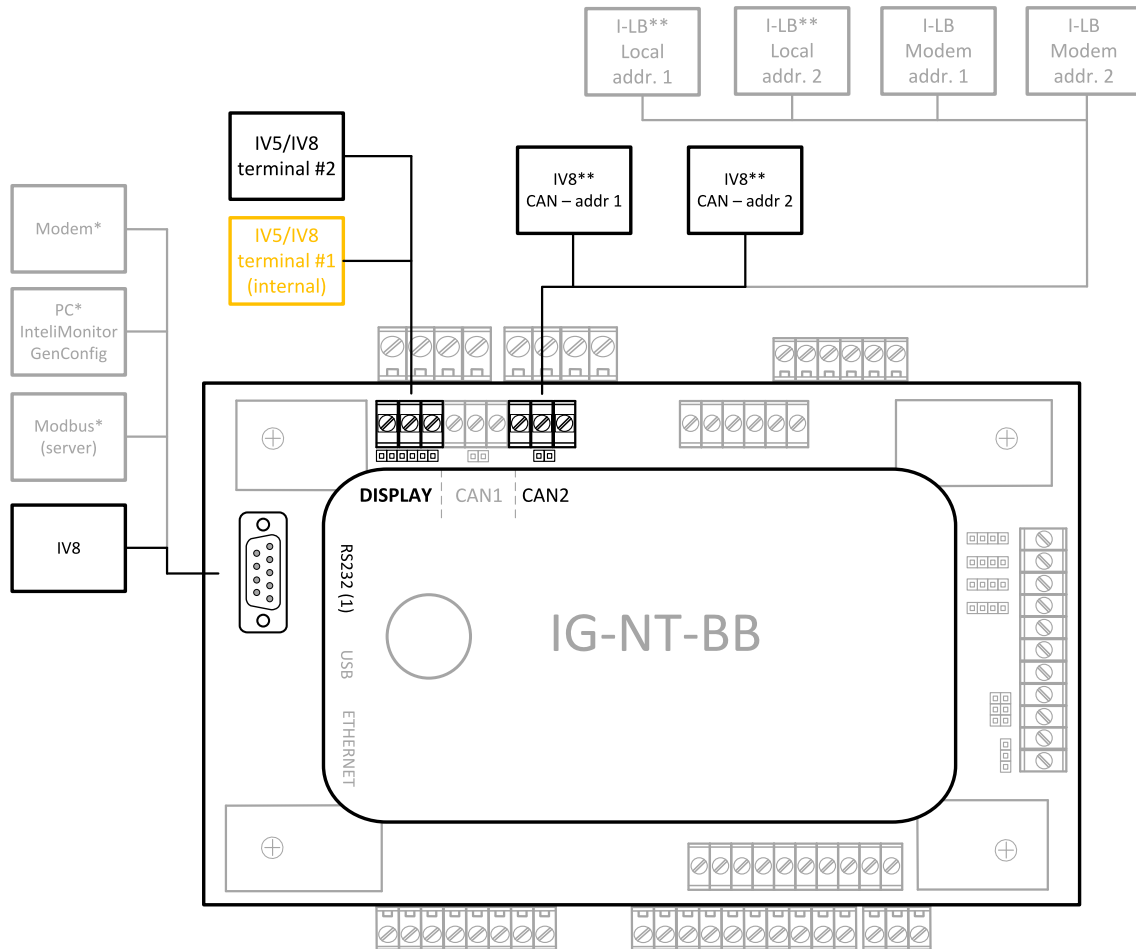


2.5 IG/IM-NT-BB – Communication



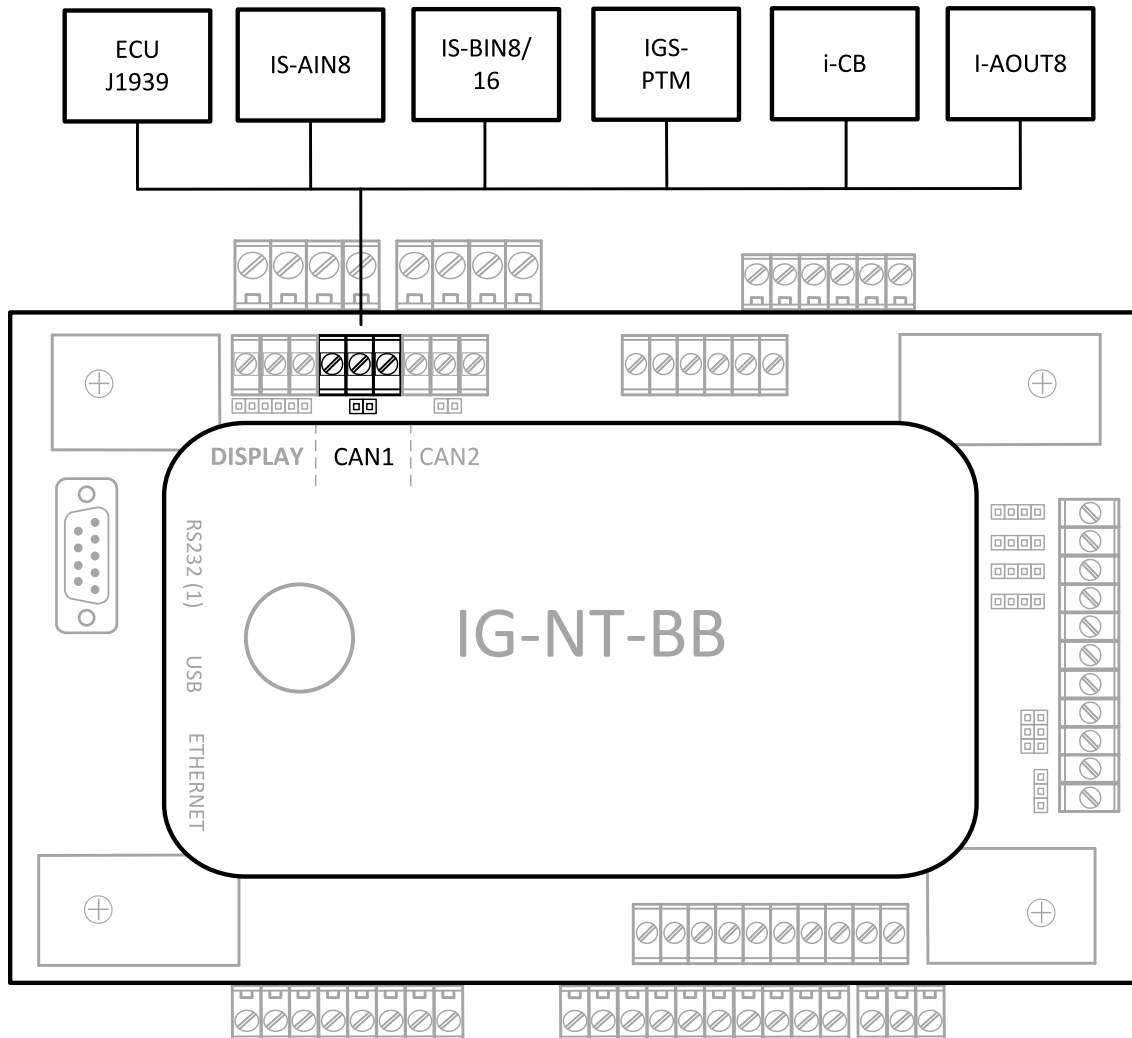
* Only one device can be connected to the respective communication port, device type is selectable by the setpoint

2.6 IG/IM-NT-BB – Terminal



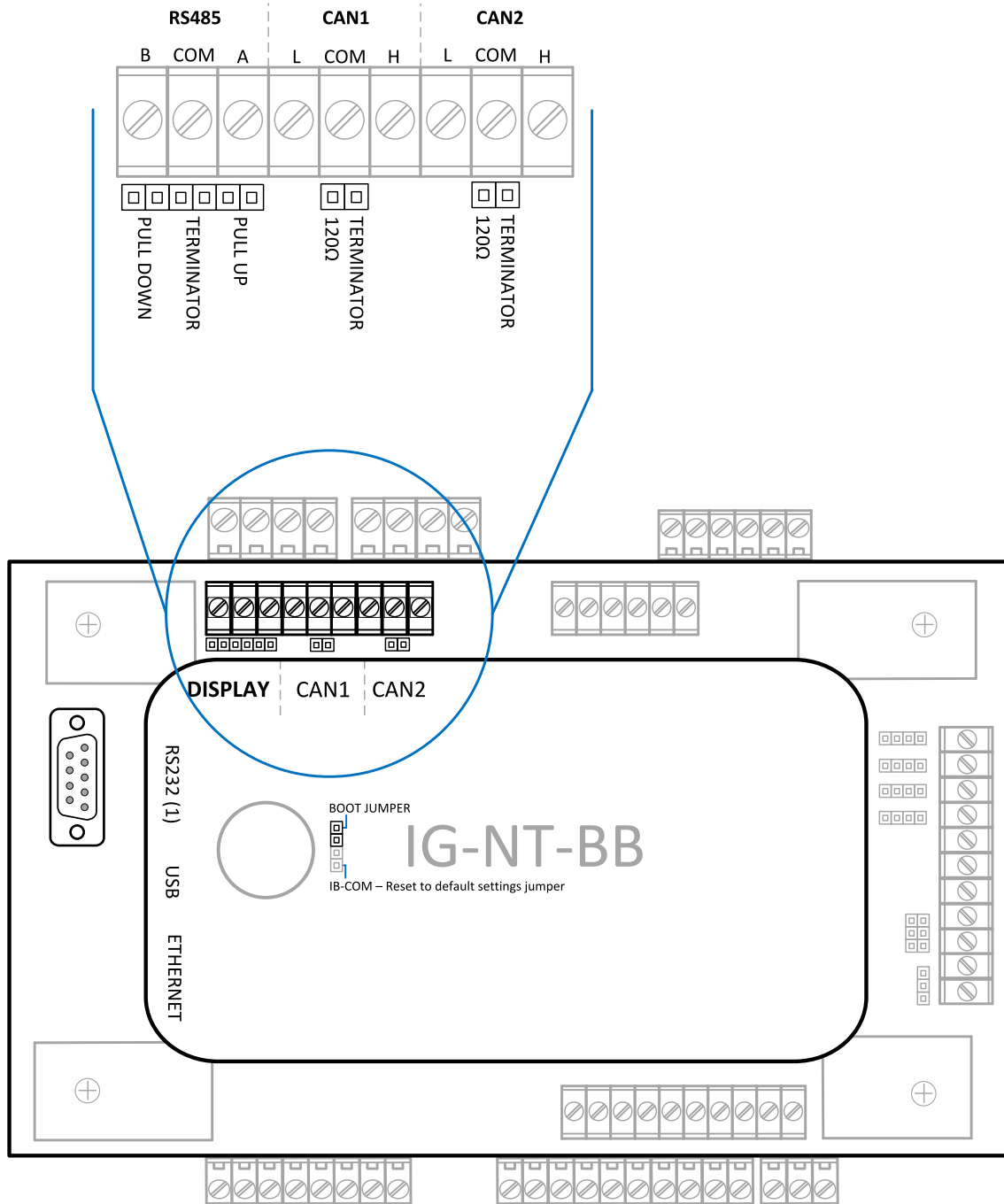
* Only one device can be connected to the respective communication port, device type is selectable by the setpoint
 ** The CAN local address 1 and 2 can be used either for an I-LB or an IV8

2.7 IG/IM-NT-BB – Peripheral modules

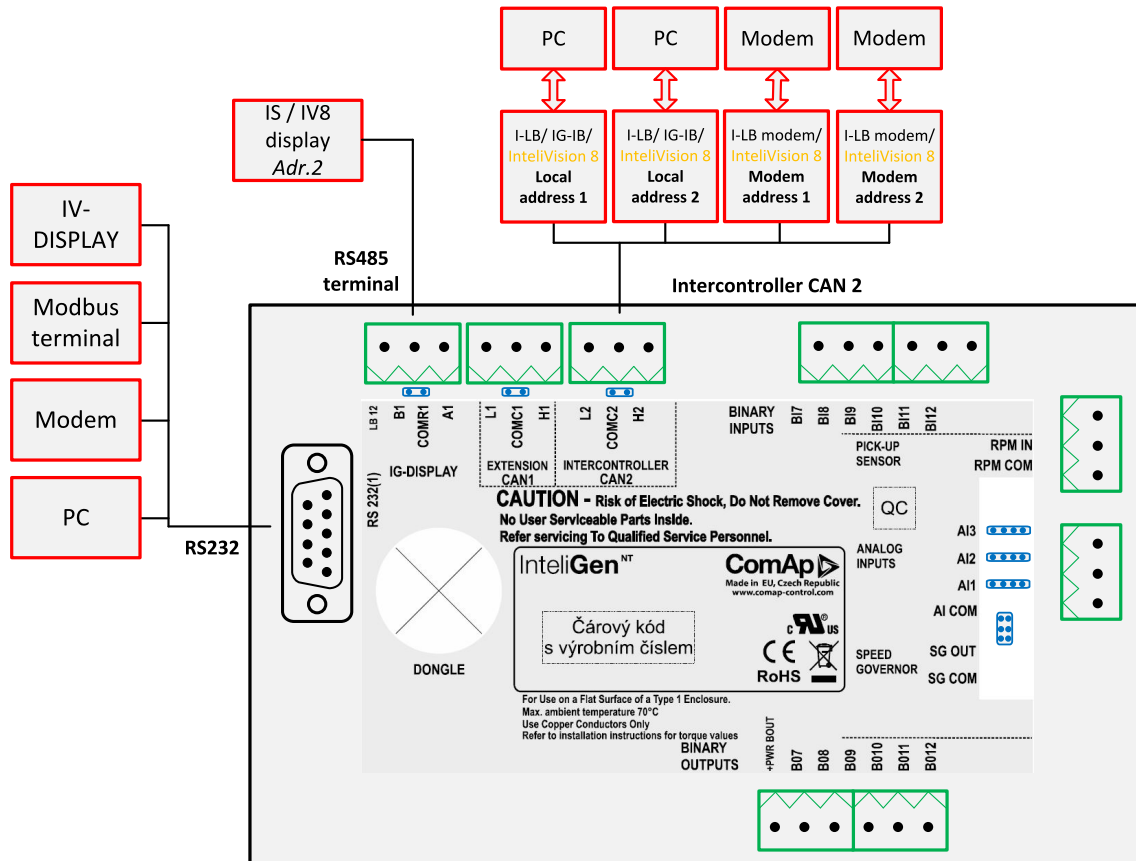


* Only one device can be connected to the respective communication port, device type is selectable by the setpoint

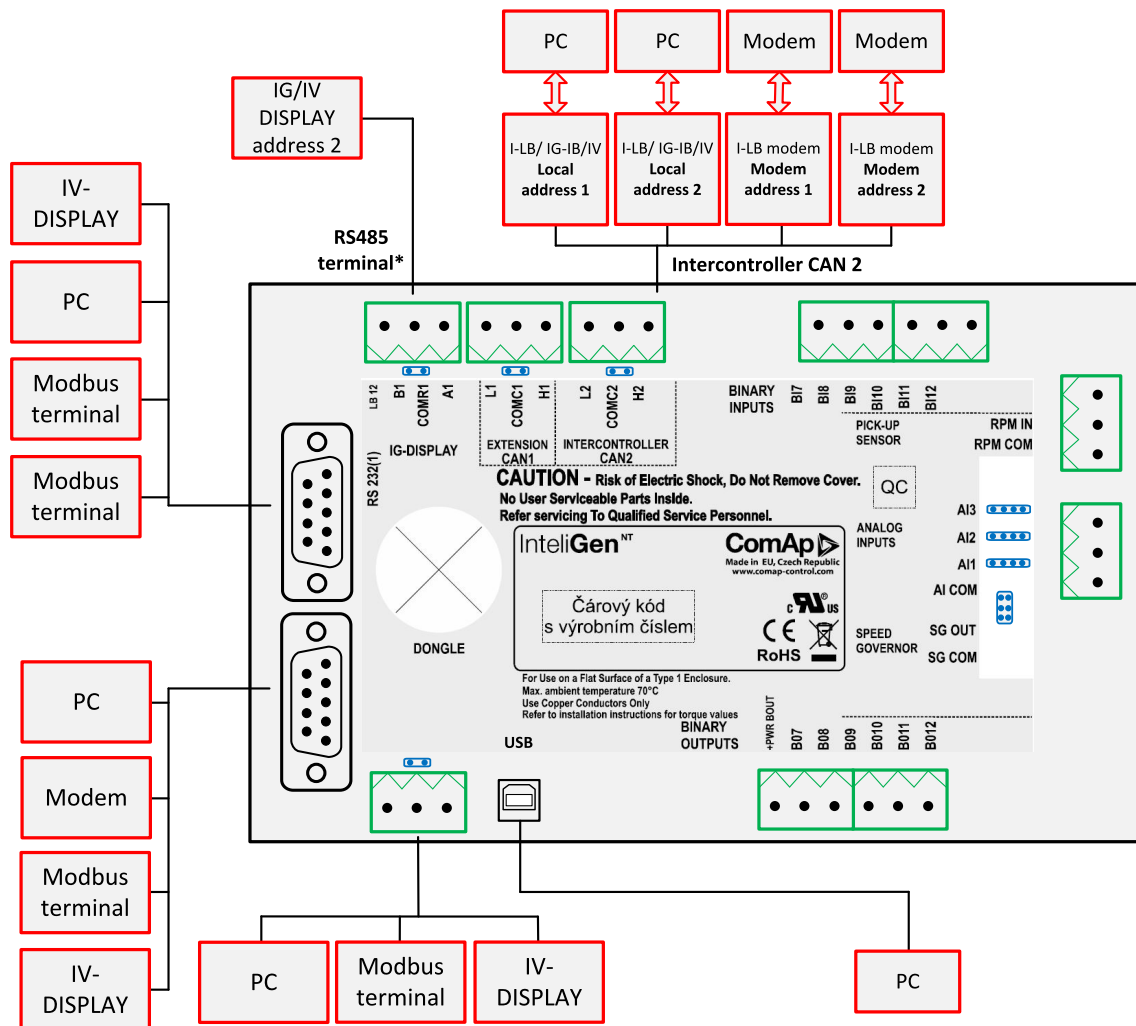
2.8 IG/IM-NT-BB – Jumper settings



2.9 IG-NT – Communications, Terminals

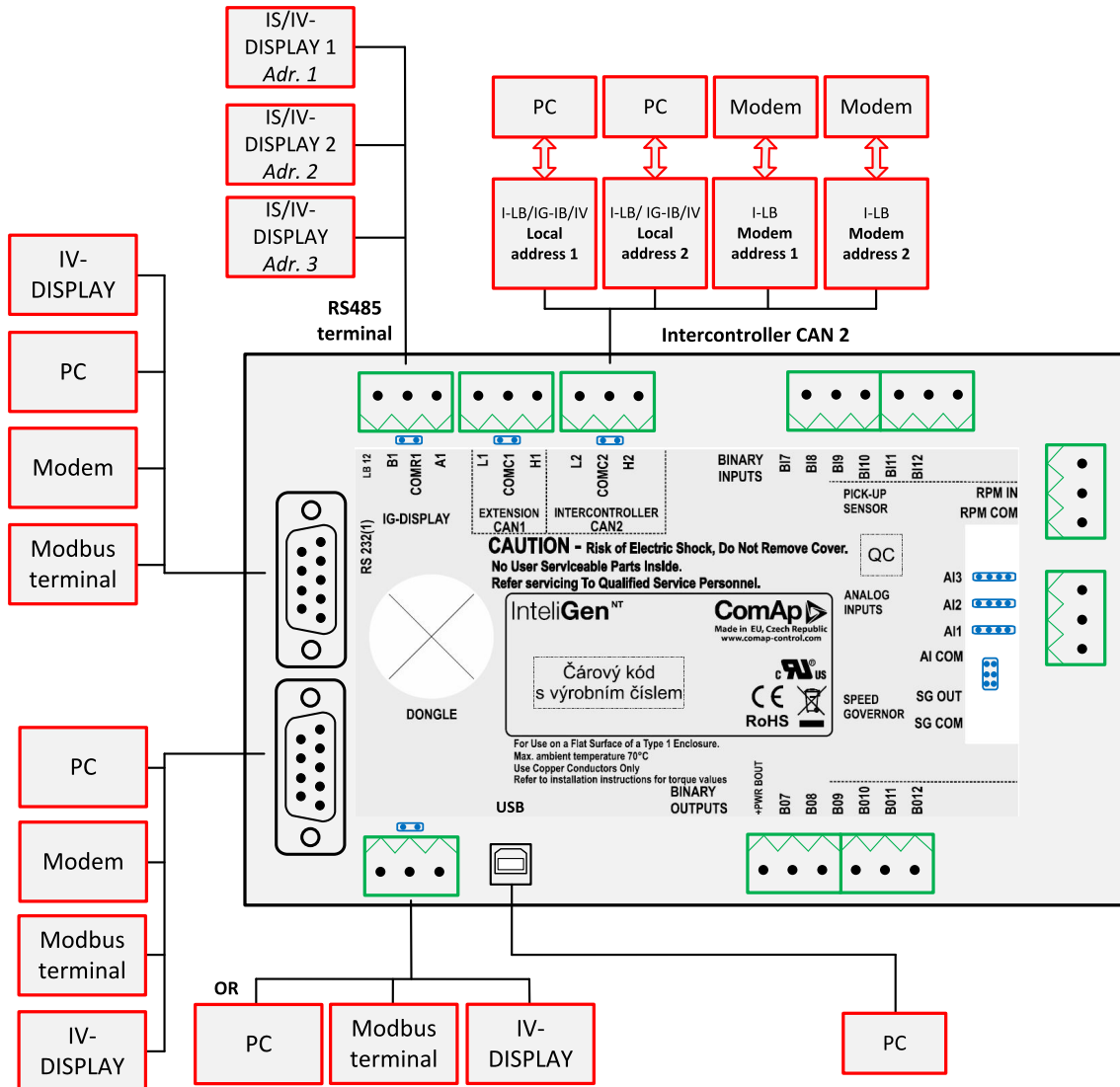


2.10 IG-NTC – Communication, Terminals

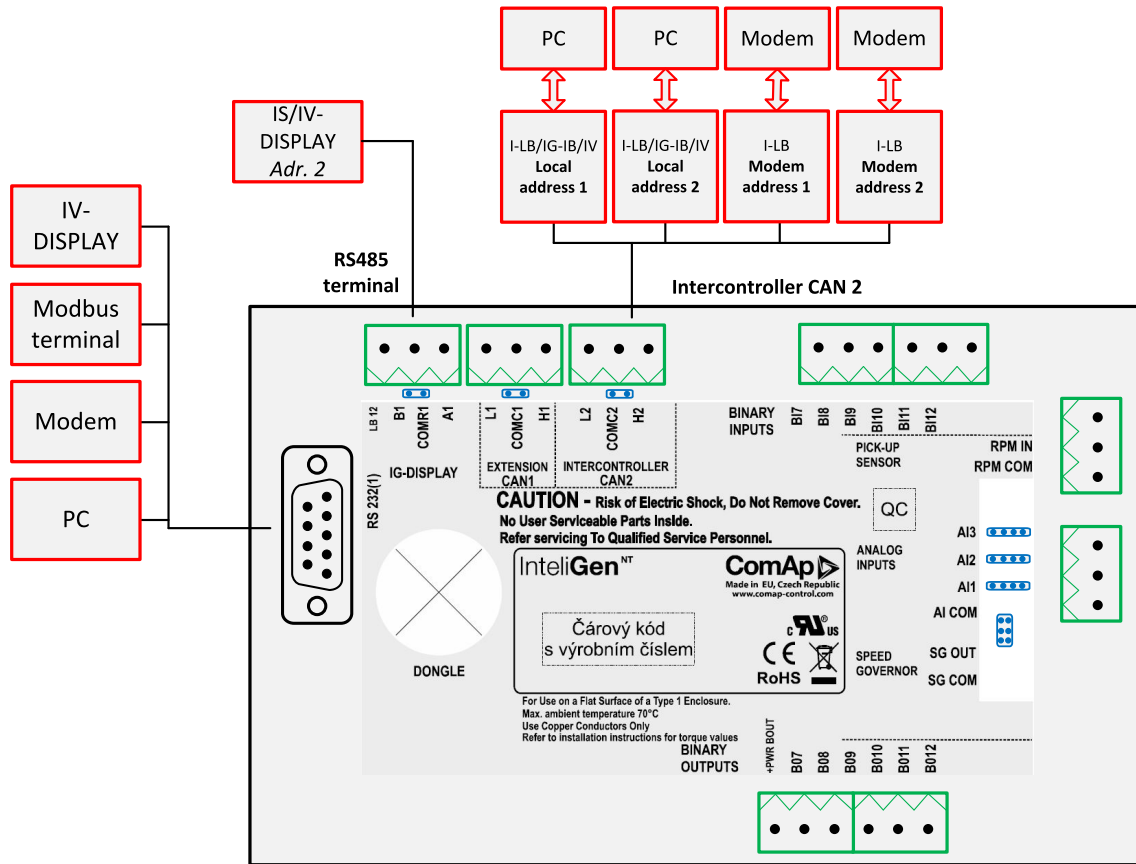


* If Communication settings:
RS485(1) convertor = enabled, IG/IV-Display 1,2 cannot be used simultaneously.

2.11 IS-NT-BB – Communications, Terminals



2.12 IM-NT – Communications, Terminals



⬅ back to Controllers communication capabilities

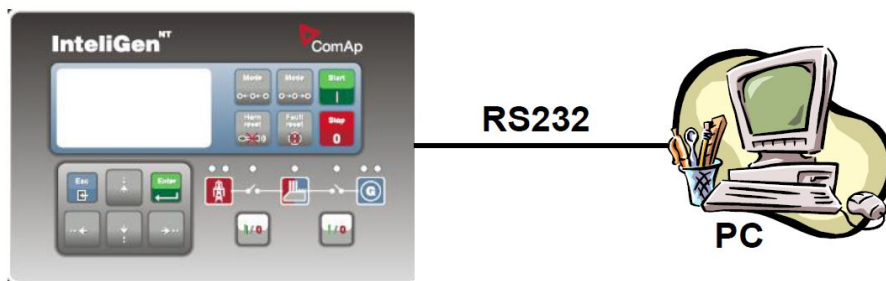
3 Applications overview

- 3.1 Direct PC connection to Single Gen-set 24
- 3.2 Direct PC connection to Multiple gen-sets 29
- 3.3 Monitoring Local on site – MODBUS 36
- 3.4 Modbus – Multiple Gen-sets 41
- 3.5 Access to password protected objects 45

 back to Table of contents

3.1 Direct PC connection to Single Gen-set

3.1.1 RS232 connection



Controllers

Controllers	IG-NT-BB	IM-NT-BB	IG-NTC-BB	IS-NTC-BB	IM-NTC-BB
Connection applicable	YES	YES	YES	YES	YES
Available ports	RS232(1)	RS232(1)	RS232(1)	RS232(1)	RS232(1)
More info	IG/IM-NT-BB – Communication (page 16)		IG/IS/IM-NTC-BB – Communications (page 12)		

Controllers	IG-NT	IG-NTC	IS-NT-BB	IM-NT
Connection applicable	YES	YES	YES	YES
Available ports	RS232(1)	RS232(1) RS232(2)	RS232(1) RS232(2)	RS232(1)
More info	IG-NT – Communications, Terminals (page 20)	IG-NTC – Communication, Terminals (page 21)	IS-NT-BB – Communications, Terminals (page 22)	IM-NT – Communications, Terminals (page 23)

Note: Other way how to realize RS232 connection is via RS232/485 connection (I-LB+) (page 31).

Controller setup

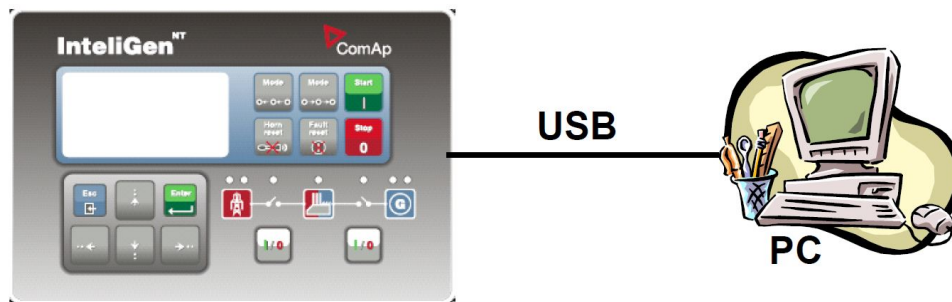
(Setpoints/Comms settings group)

RS232(1) mode = DIRECT
RS485(1) conv. = DISABLED

Equipment

	Equipment needed
Controller side	-
Connection	RS232 cable (page 84) up to 10 m
PC side	RS232 connection or RS232/USB converter

3.1.2 USB connection



Controllers

Controllers	IG-NT-BB	IG-NTC-BB	IS-NTC-BB	IM-NTC-BB	IM-NT-BB
Connection applicable	NO	YES	YES	YES	NO
Available ports	external bridge	USB	USB	USB	external bridge
More info	IG/IS/IM-NTC-BB – Communications (page 12)				

Controllers	IG-NT	IG-NTC	IS-NT-BB	IM-NT
Connection applicable	NO	YES	YES	NO
Available ports	external bridge(1)	USB	USB	external bridge
More info		IG-NTC – Communication, Terminals (page 21)	IS-NT-BB – Communications, Terminals (page 22)	

Note: Direct USB connection is not possible for some controllers, however USB connection is available for all mentioned controllers via RS232/485 connection (I-LB+) (page 31).

Controller setup

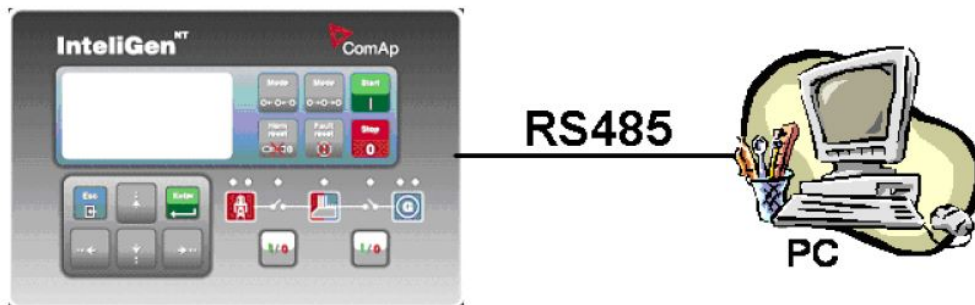
(Setpoints/Comms settings group)

No special settings are required

Equipment

	Equipment needed
Controller side	-
Connection	USB cable (page 85) A-B
PC side	USB connection

3.1.3 RS485 connection



Controllers

Controllers	IG-NT-BB	IG-NTC-BB	IS-NTC-BB	IM-NTC-BB	IM-NT-BB
Connection applicable	NO	YES	YES	YES	NO
Available ports	external bridge	RS485(2)	RS485(2)	RS485(2)	external bridge
More info	IG/IS/IM-NTC-BB – Communications (page 12)				

Controllers	IG-NT	IG-NTC	IM-NT	IS-NT-BB
Connection applicable	NO	YES	NO	YES
Available ports	RS485(1)	RS485(1) RS485(2)	RS485(1)	RS485(2)
More info	IG-NTC – Communication, Terminals (page 21)			IS-NT-BB – Communications, Terminals (page 22)

Note: Direct RS485 connection is not possible for some controllers, however RS485 connection is available for all mentioned controllers via RS232/485 connection (I-LB+) (page 31).

Controller setup

(Setpoints/Comms settings group)

RS232(2) mode = DIRECT
RS485(2) conv. = ENABLED

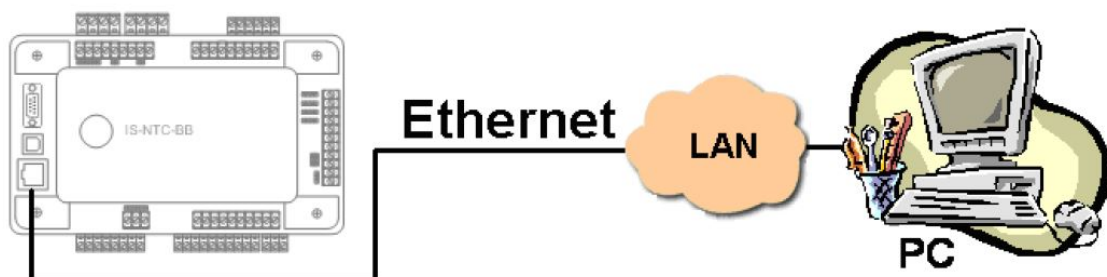
IMPORTANT: Be aware, that default setpoint value of RS485(2) port at IS-NTC-BB controller is **DISABLED**. Changing this setpoint to **ENABLED** means – it'll be locked in this **ENABLED** position and can't be changed back to **DISABLED**. It's due to the physical controller port settings.

Equipment

	Equipment needed
Controller side	-
Connection	RS485 cable (page 83) - Twisted pair, length up to 1 km
PC side	Converter RS485/RS232or USB

Note: RS485 connection can be used for gen-set control for longer distance. IG-NT-BB has no possibility of direct connection to RS485 bus. This controller provides RS232 port only. External converter from RS232 to RS485 is needed.

3.1.4 Ethernet connection (Direct)



The Internet (Ethernet) connection is a point-to-point connection between a PC and a controller or site via an TCP/IP protocol-based network. The physical configuration of such network can be a small local area ethernet network as well as the Internet.

Controllers

Controllers	IG-NT-BB	IG-NTC-BB	IS-NTC-BB	IM-NTC-BB	IM-NT-BB
Connection applicable	NO	YES	YES	YES	NO
Available ports	external bridge	ETHERNET	ETHERNET	ETHERNET	external bridge
More info	IG/IS/IM-NTC-BB – Communications (page 12)				

Controllers	IG-NT	IG-NTC	IS-NT-BB	IM-NT
Connection applicable	NO	NO	NO	NO
Available ports	external bridge	external bridge	external bridge	external bridge

Note: Ethernet connection is available for all mentioned controllers via external bridge or IB-NT (see **Ethernet connection via IB-NT on page 34**).

Number of clients connected simultaneously

- ▶ 3 clients ComAp/TCP protocol IntelliMonitor, up to 2 of them can be connected via AirGate.

Example:

- 3x direct IP connection, or
- 2x direct IP connection + 1x AirGate connection, or
- 1x direct IP connection + 2x AirGate connection

All of the connections shown above, should be combined with:

- ▶ 1x Modbus TCP connection **or** 1x SNMPv1 Manager connection (switching is between MODBUS and SNMP is made via configuration web interface)
- ▶ 2x clients of SCADA web interface (IGS-NT only, for the IS2 GAS and GSC controllers plus their families is SCADA web access not available anymore).

Using a web browser

Ethernet connection to controller makes possible using any web browser for basic monitoring and adjustment of the controller. Simply put the IP address of the module into the address line in your web browser like `http://192.168.1.254` and then enter access code. In case of connection from web browser there is 5 minutes timeout after closing the browser window. After that the client is automatically logged out.

Ethernet connection settings

Parameters can be set via any type of connection (USB, RS232, Ethernet). Setup is provided via IntelliMonitor. For Ethernet connection set these parameters in Comms Settings group:

IP addr mode	0 ON	1 OFF	2 OFF	3 OFF	4 OFF	5 OFF	6 OFF	7 OFF	FIXED
IP address	0 ON	1 OFF	2 OFF	3 OFF	4 OFF	5 OFF	6 OFF	7 OFF	192.168.1.254
Net mask	0 ON	1 OFF	2 OFF	3 OFF	4 OFF	5 OFF	6 OFF	7 OFF	255.255.255.0
Gateway IP	0 ON	1 OFF	2 OFF	3 OFF	4 OFF	5 OFF	6 OFF	7 OFF	192.168.1.1
ComApProtoPort	0 ON	1 OFF	2 OFF	3 OFF	4 OFF	5 OFF	6 OFF	7 OFF	23
AirGate	0 ON	1 OFF	2 OFF	3 OFF	4 OFF	5 OFF	6 OFF	7 OFF	DISABLED
AirGate IP	0 ON	1 OFF	2 OFF	3 OFF	4 OFF	5 OFF	6 OFF	7 OFF	

Note: The IP addresses of the controllers must be accessible from the remote computer. If the remote computer is connected into another LAN segment than the gen-sets are, there must be a gateway(s) that enable direct traffic between the segments. If the remote computer is connected via Internet, then the internet gateway of the LAN where gen-sets are connected must have public IP address, must allow incoming traffic and must provide port forwarding from the external public IP to the different internal gen-set IPs according to the port used.

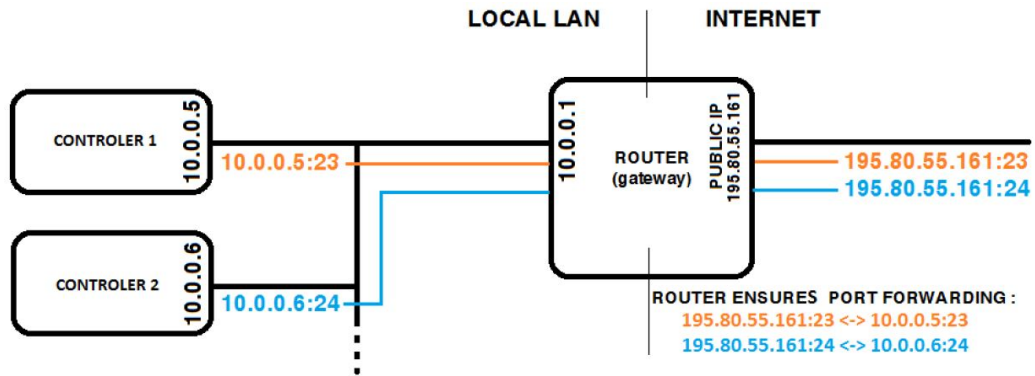


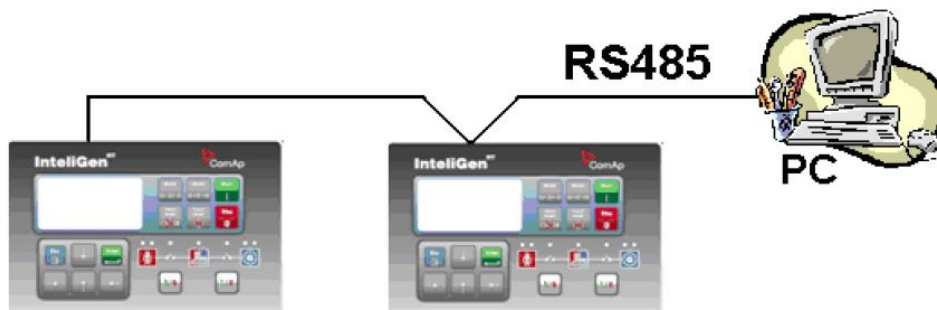
Image 3.1 Internet gateway configuration example (port forwarding)

Equipment

	Equipment needed
Controller side	-
Connection	Ethernet cable (page 86) to LAN, for point to point connection between PC and controller use cross-wired cable
PC side	ETHERNET connection

3.2 Direct PC connection to Multiple gen-sets

3.2.1 RS485 connection



Controllers

Controllers	IG-NT-BB	IG-NTC-BB	IS-NTC-BB	IM-NTC-BB	IM-NT-BB
Connection applicable	NO	YES	YES	YES	NO
Available ports	-	RS232(2)	RS232(2)	RS232(2)	-
More info	IG/IS/IM-NTC-BB – Communications (page 12)				

Controllers	IG-NT	IG-NTC	IM-NT	IS-NTC-BB
Connection applicable	YES	YES	YES	YES
Available ports	RS232(1)	RS232(1) RS232(2)	RS232(1)	RS232(2)
More info	IG-NT – Communications, Terminals (page 20)	IG-NTC – Communication, Terminals (page 21)		IS-NT-BB – Communications, Terminals (page 22)

Controller setup

(Setpoints/Comms settings group)

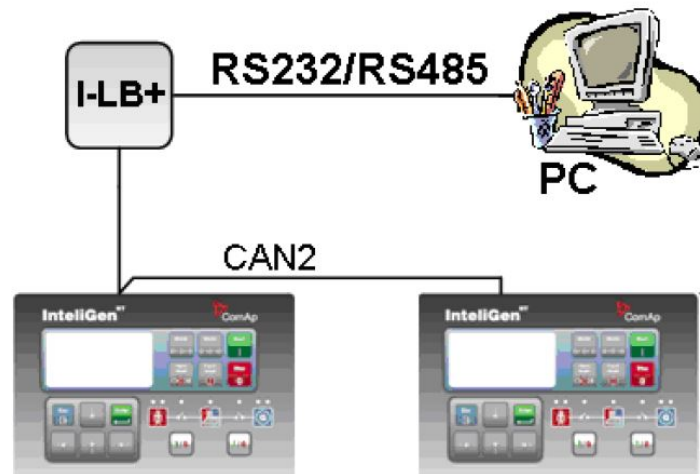
RS232(2) mode = DIRECT
RS485(2) conv. = ENABLED

Note: IG-NT-BB has no possibility of direct connection to RS485 bus. This controller provides RS232 port only. External converter from RS232 to RS485 is needed.

Equipment

	Equipment needed
Controller side	-
Connection	RS485 cable (page 83) - Twisted pair, length up to 1 km
PC side	RS232 connection, Converter RS485/RS232

3.2.2 RS232/485 connection (I-LB+)



Note: Comms extension – I-LB+ Local bridge (page 64) enables monitoring and configuration up to 32 controllers interconnected via CAN2 intercontroller bus. It is also possible to use I-LB+ for single controller connection.

I-LB+ hardware setup

(all jumpers in those positions)

HW/SW control	No matter
ComAp/Modbus	Open Selection of CAN address. Open = ADDR1, Close = ADDR2
ADDR1/ADDR2	It is possible to use up to two I-LB+ devices in direct mode on CAN2 bus. Let jumper open in case of using one I-LB+ module. Other I-LB module has to have this jumper closed. (read more about Comms extension – I-LB+ Local bridge (page 64))
DIRECT/MODEM	Open
RS485/RS232	Selection of communication port (jumper is in RS232 or RS485 position)
Comm. speed.	No matter
RS485 120 Ω	Open = terminator not connected, Close = terminator connected
CAN 120 Ω	Open = terminator not connected, Close = terminator connected

Controllers

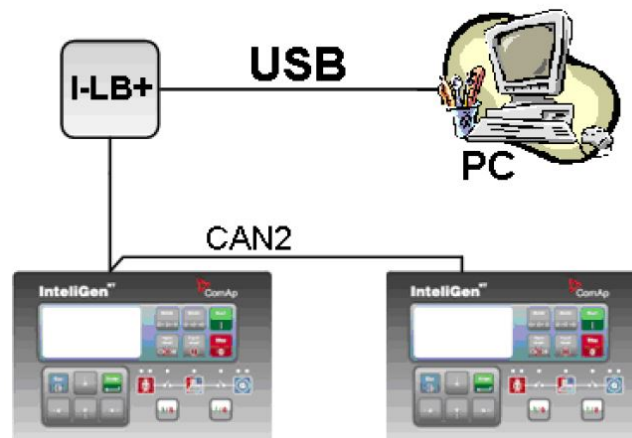
Controllers	IG-NT-BB	IG-NTC-BB	IS-NTC-BB	IM-NT-BB	IM-NTC-BB
Connection applicable	YES	YES	YES	YES	YES
Available ports	RS232 on ILB+ RS485 on ILB+	RS232 on ILB+ RS485 on ILB+	RS232 on ILB+ RS485 on ILB+	RS232 on ILB+ RS485 on ILB+	RS232 on ILB+ RS485 on ILB+
More info	Comms extension – I-LB+ Local bridge (page 64)				

Controllers	IG-NT	IG-NTC	IS-NT-BB	IM-NT
Connection applicable	YES	YES	YES	YES
Available ports	RS232 on I-LB+ RS485 on I-LB+	RS232 on I-LB+ RS485 on I-LB+	RS232 on I-LB+ RS485 on I-LB+	RS232 on I-LB+ RS485 on I-LB+
More info	Comms extension – I-LB+ Local bridge (page 64)			

Equipment

	Equipment needed
Controller side	I-LB+ unit (see Comms extension – I-LB+ Local bridge on page 64)
Connection	RS232 cable (page 84) or RS485 cable (page 83)
PC side	RS232 connection or RS232/USB converter RS485 connection or RS485/USB converter

3.2.3 USB connection via I-LB+ module



Note: Comms extension – I-LB+ Local bridge (page 64) enables monitoring and configuration up to 32 controllers interconnected via CAN2 intercontroller bus. It is also possible to use I-LB+ for single controller connection.

I-LB+ hardware setup

(all jumpers in those positions)

HW/SW control	no matter (Open)
ComAp/Modbus	Open
ADDR1/ADDR2	Selection of CAN address. Open = ADDR2, Close = ADDR1 (read more about I-LB+ module)
DIRECT/MODEM	Open
RS485/RS232	No matter
Comm. speed.	No matter
RS485 120 Ω	Open = terminator not connected, Close = terminator connected
CAN 120 Ω	Open = terminator not connected, Close = terminator connected

Controllers

Controllers	IG-NT-BB	IG-NTC-BB	IS-NTC-BB	IM-NT-BB	IM-NTC-BB
Connection applicable	YES	YES	YES	YES	YES
Available ports	USB on I-LB+	USB on I-LB+	USB on I-LB+	USB on I-LB+	USB on I-LB+
More info	Comms extension – I-LB+ Local bridge (page 64)				

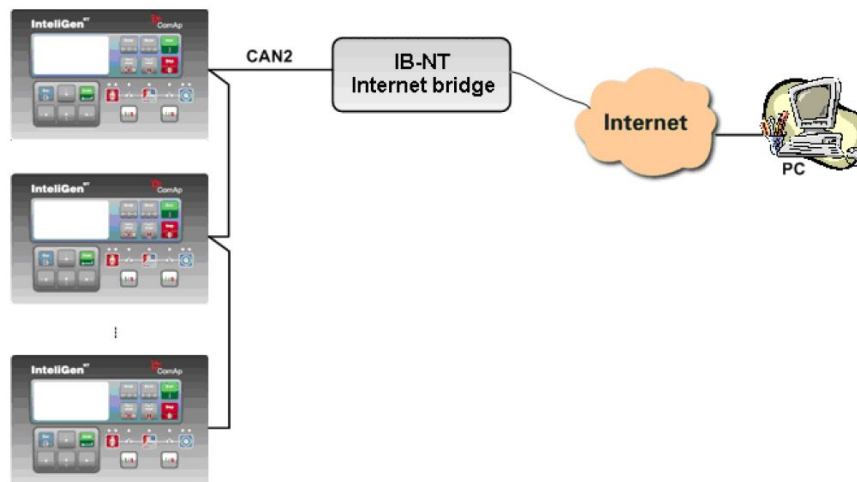
Controllers	IG-NT	IG-NTC	IS-NT-BB	IM-NT
Connection applicable	YES	YES	YES	YES
Available ports	USB on I-LB+	USB on I-LB+	USB on I-LB+	USB on I-LB+
More info	Comms extension – I-LB+ Local bridge (page 64)			

Equipment

	Equipment needed
Controller side	I-LB+ unit (see Comms extension – I-LB+ Local bridge on page 64)
Connection	USB (see USB cable on page 85)
PC side	USB connection

3.2.4 Ethernet connection via IB-NT

Up to 32 controllers can be monitored via one IB-NT. Response time of a system with this type of connection depends on number of controllers, higher number of controllers means slower system response time.



Controllers

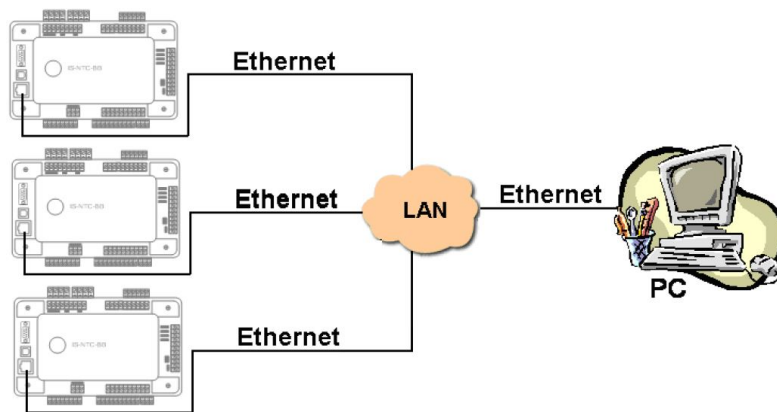
Controllers	IG-NT-BB	IG-NTC-BB	IS-NTC-BB	IM-NT-BB	IM-NTC-BB
Connection applicable	YES	YES	YES	YES	YES
Available ports	IB-NT	IB-NT	IB-NT	IB-NT	IB-NT
More info	I-CR Module for CAN Bus Extension (page 67)				

Controllers	IG-NT	IG-NTC	IS-NT-BB	IM-NT
Connection applicable	YES	YES	YES	YES
Available ports	IB-NT	IB-NT	IB-NT	IB-NT
More info	I-CR Module for CAN Bus Extension (page 67)			

Note: Max. 3 clients of ComAp type (InteliDDE server, WinScope, WebSupervisor mobile) can be connected simultaneously to the IB-NT.

Note: For more information about IB-NT internet bridge read [IB-NT Global Guide](#).

3.2.5 Ethernet connection (Direct)



Controllers

Controllers	IG-NT-BB	IG-NTC	IS-NTC-BB	IM-NTC-BB	IM-NT-BB
Connection applicable	NO	YES	YES	YES	NO
Available ports	external bridge	ETHERNET	ETHERNET	ETHERNET	external bridge
More info	IG/IS/IM-NTC-BB – Communications (page 12)				

Controllers	IG-NT	IG-NTC	IS-NT-BB	IM-NT
Connection applicable	NO	NO	NO	NO
Available ports	external bridge	external bridge	external bridge	external bridge

Note: Ethernet connection is available for all mentioned controllers via external internet bridge or IB-NT (see Ethernet connection via IB-NT on page 34).

Number of clients connected simultaneously

- ▶ 3 clients ComAp/TCP protocol IntelliMonitor, up to 2 of them can be connected via AirGate.

Example:

- 3x direct IP connection, or
- 2x direct IP connection + 1x AirGate connection, or
- 1x direct IP connection + 2x AirGate connection

All of the connections shown above, should be combined with:

- ▶ 1x Modbus TCP connection **or** 1x SNMPv1 Manager connection (switching is between MODBUS and SNMP is made via configuration web interface)
- ▶ 2x clients of SCADA web interface (IGS-NT only, for the IS2 GAS and GSC controllers plus their families is SCADA web access not available anymore).

Ethernet connection settings

Perform the connection settings the same way as for Ethernet connection (Direct) (page 27).

Note: The IP addresses of the controllers must be accessible from the remote computer. If the remote computer is connected into another LAN segment than the gen-sets are, there must be a gateway(s) that enable direct traffic between the segments. If the remote computer is connected via Internet, then the internet gateway of the LAN where gen-sets are connected must have public IP address, must allow incoming traffic and must provide port forwarding from the external public IP to the different internal gen-set IPs according to the port used.

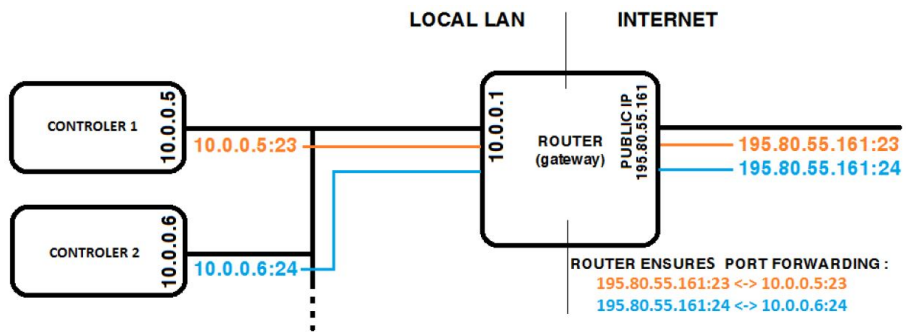


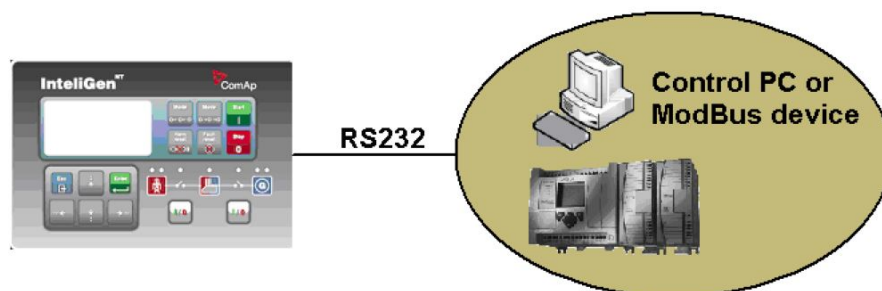
Image 3.2 Internet gateway configuration example (port forwarding)

Equipment

	Equipment needed
Controller side	-
Connection	Ethernet cable (page 86) to LAN, for point to point connection between PC and controller use cross-wired cable
PC side	ETHERNET connection

3.3 Monitoring Local on site – MODBUS

3.3.1 RS232 Modbus



Controllers

Controllers	IG-NT-BB	IM-NT-BB	IG-NTC-BB	IS-NTC-BB	IM-NTC-BB
Connection applicable	YES	YES	YES	YES	YES
Available ports	RS232(1)	RS232(1)	RS232(1)	RS232(1)	RS232(1)
More info	IG/IM-NT-BB – Communication (page 16)		IG/IS/IM-NTC-BB – Communications (page 12)		

Controllers	IG-NT-BB	IG-NTC	IS-NT-BB	IM-NT
Connection applicable	YES	YES	YES	YES
Available ports	RS232(1)	RS232(1) RS232(2)	RS232(1) RS232(2)	RS232(1)
More info	IG-NT – Communications, Terminals (page 20)	IG-NTC – Communication, Terminals (page 21)	IS-NT-BB – Communications, Terminals (page 22)	IM-NT – Communications, Terminals (page 23)

Note: Other way how to realize RS232 connection is via RS232/RS485 – MODBUS (I-LB+) (page 42).

Controller setup

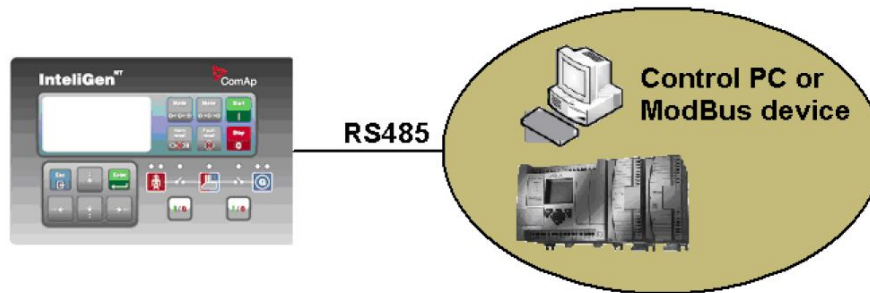
(Setpoints/Comms settings group)

RS232(1 or 2) mode = MODBUS-DIRECT
RS485(1 or 2) conv. = DISABLED
RS232(1)MBCSpd = 9600, 19200, 38400, 57600

Equipment

	Equipment needed
Controller side	-
Connection	RS232 cable (page 84) cable up to 10 m
Other device side	RS232 connection or RS232/USB converter

3.3.2 RS485 Modbus



Controllers

Controllers	IG-NT-BB	IG-NTC-BB	IS-NTC-BB	IM-NTC-BB	IM-NT-BB
Connection applicable	NO	YES	YES	YES	NO
Available ports	external bridge	RS232(2)	RS232(2)	RS232(2)	external bridge
More info	IG/IS/IM-NTC-BB – Communications (page 12)				

Controllers	IG-NT	IM-NT	IG-NTC	IS-NT-BB
Connection applicable	YES	YES	YES	YES
Available ports	RS232(1)	RS232(1)	RS232(1) RS232(2)	RS232(2)
More info	IG-NT – Communications, Terminals (page 20)		IG-NTC – Communication, Terminals (page 21)	IS-NT-BB – Communications, Terminals (page 22)

Note: Some controllers do not allow direct RS485 connection, however RS485 connection is available for all mentioned controllers via RS232/RS485 – MODBUS (I-LB+) (page 42).

Controller setup

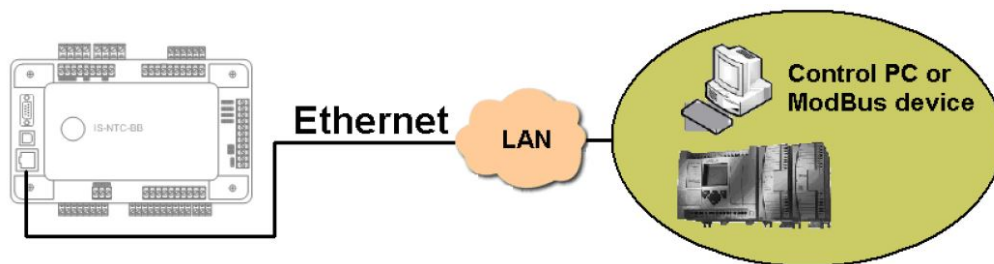
(Setpoints/Comms settings group)

RS232(2) mode = MODBUS-DIRECT
RS485(2) conv. = ENABLED
RS232(2)MBCSpd = 9600, 19200, 38400, 57600

Equipment

	Equipment needed
Controller side	-
Connection	RS485 cable (page 83)
Other device side	RS485 connection or RS485/USB converter

3.3.3 Ethernet – MODBUS/TCP (Direct)



Controllers

Controllers	IG-NT-BB	IG-NTC-BB	IS-NTC-BB	IM-NTC-BB	IM-NT-BB
Connection applicable	NO	YES	YES	YES	NO
Available ports	external bridge	ETHERNET	ETHERNET	ETHERNET	external bridge
More info	IG/IS/IM-NTC-BB – Communications (page 12)				

Controllers	IG-NT	IG-NTC	IS-NT-BB	IM-NT
Connection applicable	NO	NO	NO	NO
Available ports	external bridge	external bridge	external bridge	external bridge

Note: The communication port for Modbus TCP is 502.

Note: Ethernet Modbus/TCP connection is available for all mentioned controllers via **Ethernet – MODBUS (IB-NT)** (page 43).

Number of clients connected simultaneously

- ▶ 1 client Modbus TCP/IP

Ethernet connection settings

Perform the connection settings the same way as for **Ethernet connection (Direct)** (page 27).

Modbus/TCP access code

Every Modbus/TCP session has to be started with writing the access code from the Modbus/TCP client to the controller. If the session is closed and reopened again the access code must be written again. The session can be closed by the client or the controller closes the session automatically if there is no activity from the client side for 15 s.

- ▶ There are new dedicated registers for entering the AccessCode via Modbus/TCP.
- ▶ The register numbers are 46339-46346 (register address 6338-6345).
- ▶ The previous method using register address 24535 remains working as well.
- ▶ Example of the Modbus message is following (in HEX):

01 10 18 C2 00 08 10 30 00 00 00 00 00 00 00 00 00 00 00 00 FE F3	
01	Controller address
10	Modbus function (16dec – Write multiple registers)
18C2	Register address (18C2hex = 6338dec = register 46339)
0008	Number of registers
10	Length of the data (Number of registers x 2B)
30000000...	Access code string (16 chars, null-terminated, ASCII, here “0”)
FEF3	CRC

Some devices do not support the modbus function 16. In this case can be the access code written in controller as one register No. 46339 using the function 6. The access code has to be the number in the range 0 to 65535.

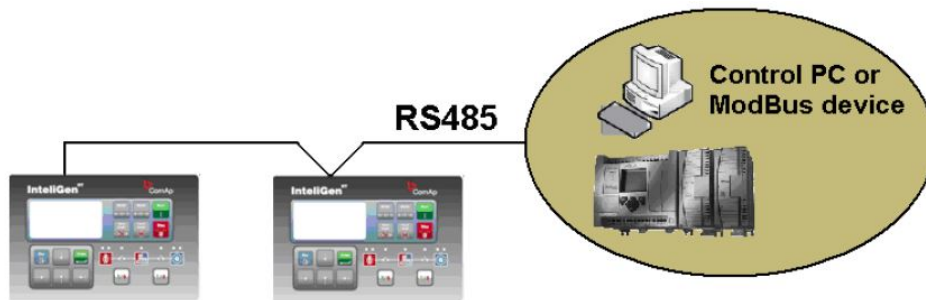
Equipment

	Equipment needed
Controller side	-
Connection	Ethernet cable (page 86) to LAN, for point to point connection between PC and controller use cross-wired cable
PC side	ETHERNET connection

For more informations about Modbusimplementation to ComAp controllers **see Modbus Communication on page 91.**

3.4 Modbus – Multiple Gen-sets

3.4.1 RS485 – MODBUS



Controllers

Controllers	IG-NT-BB	IG-NTC-BB	IS-NTC-BB	IM-NTC-BB	IM-NT-BB
Connection applicable	NO	YES	YES	YES	NO
Available ports	-	RS485(2)	RS485(2)	RS485(2)	-
More info	IG/IS/IM-NTC-BB – Communications (page 12)				

Controllers	IG-NT	IG-NTC	IS-NT-BB	IM-NT
Connection applicable	NO	YES	YES	NO
Available ports	RS232(1)	RS232(1) RS232(2)	RS232(2)	-
More info	IG-NT – Communications, Terminals (page 20)	IG-NTC – Communication, Terminals (page 21)	IS-NT-BB – Communications, Terminals (page 22)	

Controller setup

(Setpoints/Comms settings group)

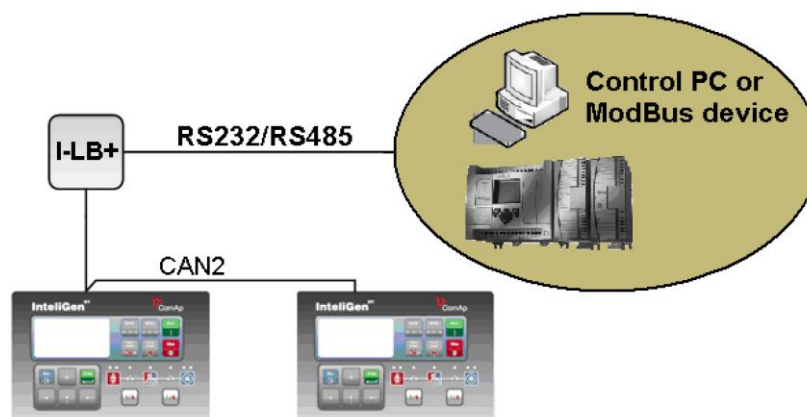
RS232(2) mode = MODBUS-DIRECT
RS485(2) conv. = ENABLED
RS232(2)MBCSpd = 9600, 19200, 38400, 57600

Note: For gen-set control for longer distance can be RS485 used. IG-NT-BB has no possibility of direct connection to RS485 bus. This controller provides RS232 port only. External converter from RS232 to RS485 may be a good solution (for example...ADAM).

Equipment

	Equipment needed
Controller side	-
Connection	RS485 cable (page 83) - Twisted pair, length up to 1 km
Other device side	RS485 connection or RS485/RS232 or USB converter

3.4.2 RS232/RS485 – MODBUS (I-LB+)



Note: I-LB+ module enables monitoring and configuration up to 32 controllers interconnected via CAN2 intercontroller bus. It is also possible to use I-LB+ for single controller connection.

I-LB+ hardware setup

(all jumpers in those positions)

HW/SW control	No matter
ComAp/Modbus	Close
ADDR1/ADDR2	Selection of CAN address. Open = ADDR1, Close = ADDR2 It is possible to use up to two I-LB+ devices in direct mode on CAN2 bus. Let jumper open in case of using one I-LB+ module. Other I-LB module has to have this jumper closed. (read more about Comms extension – I-LB+ Local bridge (page 64))
DIRECT/MODEM	No matter
RS485/RS232	Selection of communication port (jumper is in RS232 or RS485 position)
Comm. speed.	Selection of communication speed by jumpers P13, P14 to 9600, 19200, 38400, 57600 bps
RS485 120 Ω	Open = terminator not connected, Close = terminator connected
CAN 120 Ω	Open = terminator not connected, Close = terminator connected

Controllers

Controllers	IG-NT-BB	IG-NTC-BB	IS-NTC-BB	IM-NT-BB	IM-NTC-BB
Connection applicable	YES	YES	YES	YES	YES
Available ports	RS232 on I-LB+ RS485 on I-LB+	RS232 on I-LB+ RS485 on I-LB+	RS232 on I-LB+ RS485 on I-LB+	RS232 on I-LB+ RS485 on I-LB+	RS232 on I-LB+ RS485 on I-LB+
More info	Comms extension – I-LB+ Local bridge (page 64)				

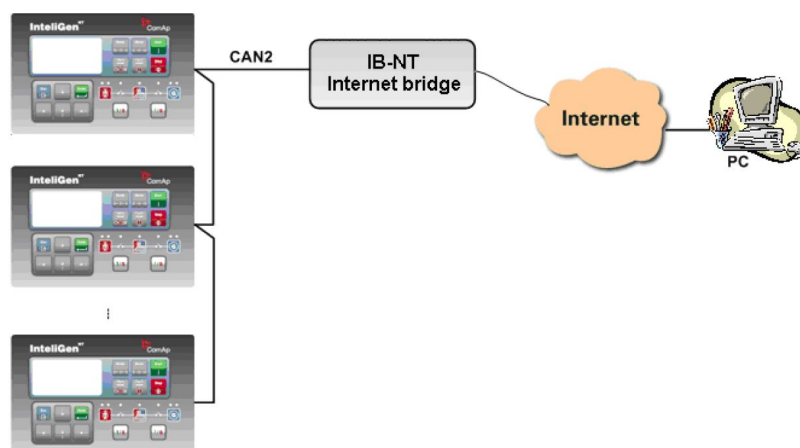
Controllers	IG-NT	IG-NTC	IS-NT-BB	IM-NT
Connection applicable	NO	YES	YES	NO
Available ports	RS232 on I-LB+ RS485 on I-LB+	RS232 on I-LB+ RS485 on I-LB+	RS232 on I-LB+ RS485 on I-LB+	RS232 on I-LB+ RS485 on I-LB+
More info	Comms extension – I-LB+ Local bridge (page 64)			

Equipment

	Equipment needed
Controller side	I-LB+ unit
Connection	RS232 cable (page 84), RS485 cable (page 83)
PC side	RS232 connection or RS232/USB converter RS485 connection or RS485/USB converter

3.4.3 Ethernet – MODBUS (IB-NT)

Up to 32 controllers can be monitored via one IB-NT. Response time of a system with this type of connection depends on number of controllers, higher number of controllers means slower system response time.



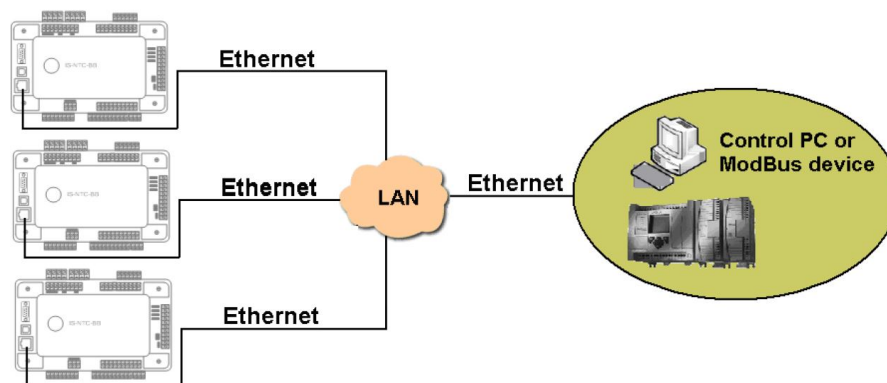
Controllers

Controllers	IG-NT-BB	IG-NTC-BB	IS-NTC-BB	IM-NT-BB	IM-NTC-BB
Connection applicable	NO	YES	YES	NO	YES
Available ports/modules	external bridge IB-NT	external bridge IB-NT	external bridge IB-NT	external bridge IB-NT	external bridge IB-NT

Controllers	IG-NT	IG-NTC	IS-NT-BB	IM-NT
Connection applicable	YES	YES	YES	YES
Available ports/modules	external bridge IB-NT	external bridge IB-NT	external bridge IB-NT	external bridge IB-NT

Note: For more information about IB-NT internet bridge read [IB-NT Global Guide](#).

Ethernet – MODBUS/TCP (Direct)



Controllers

Controllers	IG-NT-BB	IG-NTC-BB	IS-NTC-BB	IM-NTC-BB	IM-NT-BB
Connection applicable	YES	YES	YES	YES	YES
Available ports	external bridge	ETHERNET	ETHERNET	ETHERNET	external bridge
More info	IG/IS/IM-NTC-BB – Communications (page 12)				

Controllers	IG-NT	IG-NTC	IS-NT-BB	IM-NT
Connection applicable	NO	NO	NO	NO
Available ports	external bridge	external bridge	external bridge	external bridge

Note: The communication port for Modbus TCP is 502.

Note: Ethernet Modbus/TCP connection is available for all mentioned controllers via **Ethernet – MODBUS (IB-NT)** (page 43).

Number of clients connected simultaneously

- ▶ 1 client Modbus TCP/IP

Ethernet connection settings

Perform the connection settings the same way as for **Ethernet connection (Direct)** (page 27).

Equipment

	Equipment needed
Controller side	-
Connection	Ethernet cable (page 86) to LAN, for point to point connection between PC and controller use cross-wired cable
PC side	ETHERNET connection

For more information about Modbus implementation to ComAp controllers see **Modbus Communication** on page 91.

3.5 Access to password protected objects

Dedicated communication objects are setpoints and commands that are protected by a password against writing. The set of protected objects is given in the controller configuration and is fixed for a particular controller.

In IG/IS-NT controllers it is possible to specify access levels to protected objects for 8 different users. For each user a set of access attributes is defined and each of them has his password. The user can gain the right for writing to 8 groups of objects with different access levels by entering his password. The objects are assigned into groups in the controller configuration. For example setpoints in the ProcessControl group can be configured in GenConfig on Setpoints card:

Modules	I/O	Setpoints	Commands	Protections	History	User Sensors	Languages	Translator
Groups			Name	Access Group	Value			
ProcessControl			Base load	0 OFF 1 OFF 2 ON 3 OFF 4 OFF 5 OFF 6 OFF 7 OFF				
Basic settings			Base PF	0 OFF 1 OFF 2 ON 3 OFF 4 OFF 5 OFF 6 OFF 7 OFF				
Engine params			Import load	0 OFF 1 OFF 2 ON 3 OFF 4 OFF 5 OFF 6 OFF 7 OFF				
Engine protect			Import PF	0 OFF 1 OFF 2 OFF 3 ON 4 OFF 5 OFF 6 OFF 7 OFF				
Analog protect			Load ctrl PtM	0 OFF 1 OFF 2 OFF 3 ON 4 OFF 5 OFF 6 OFF 7 OFF				
Gener protect			PF ctrl PtM	0 OFF 1 OFF 2 OFF 3 ON 4 OFF 5 OFF 6 OFF 7 OFF				
Mains protect			IE-Pm meas	0 OFF 1 OFF 2 OFF 3 ON 4 OFF 5 OFF 6 OFF 7 OFF				
AMF settings			IE-Qm meas	0 OFF 1 OFF 2 OFF 3 ON 4 OFF 5 OFF 6 OFF 7 OFF				
Sync/Load ctrl			PeakLevelStart	0 OFF 1 OFF 2 OFF 3 ON 4 OFF 5 OFF 6 OFF 7 OFF				
Volt/PF ctrl			PeakLevelStop	0 OFF 1 OFF 2 OFF 3 ON 4 OFF 5 OFF 6 OFF 7 OFF				
Force value			PeakAutS/S del	0 OFF 1 OFF 2 OFF 3 OFF 4 ON 5 OFF 6 OFF 7 OFF				
Load shedding			Export limit	0 OFF 1 OFF 2 OFF 3 OFF 4 ON 5 OFF 6 OFF 7 OFF				
Act. calls/SMS			Island enable	0 OFF 1 OFF 2 OFF 3 OFF 4 OFF 5 OFF 6 OFF 7 ON				
Data Time			ParallelEnable	0 OFF 1 OFF 2 OFF 3 OFF 4 OFF 5 OFF 6 OFF 7 OFF				

Each user has his identification number (0 – 7). User with identification number 0 has an exceptional position. This user has access to all groups of protected objects (this access cannot be changed anyhow) and can define

groups of access attributes to other users (1 – 7), reset their password and set their name (alias of an identification number). Entering of password must be foregone by writing of a user identification number.

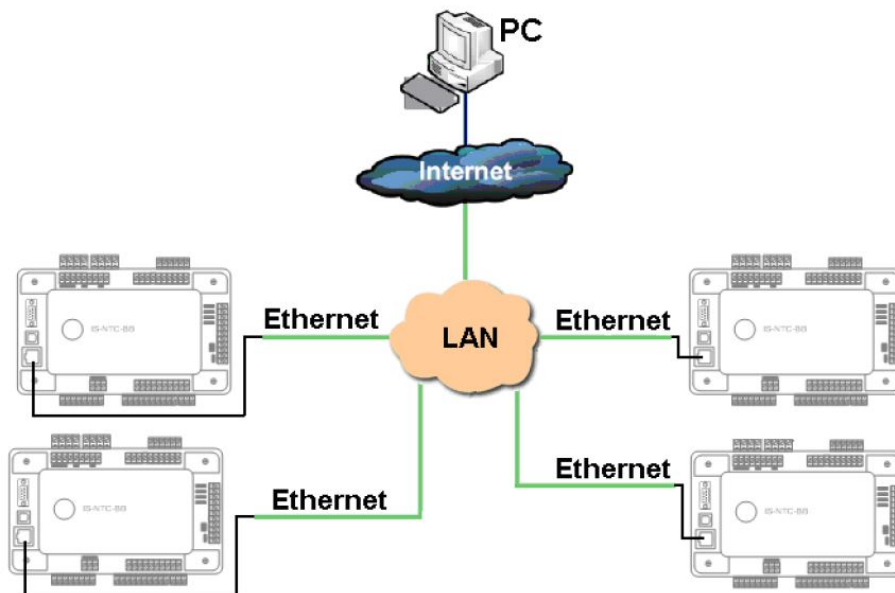
 **back to Applications overview**

4 Remote monitoring

- 4.1 Connection to Internet (Direct) 47
- 4.2 Internet connection via AirGate 49
- 4.3 WebSupervisor 52
- 4.4 Web interface 53
- 4.5 Internet connection via cellular network 58
- 4.6 Active SMS 59
- 4.7 Access Lock 61

 [back to Table of contents](#)

4.1 Connection to Internet (Direct)



4.1.1 Controllers

Controllers	IG-NT-BB	IG-NTC-BB	IS-NTC-BB	IM-NTC-BB	IM-NT-BB
Connection applicable	NO	YES	YES	YES	NO
Available ports	external bridge	ETHERNET	ETHERNET	ETHERNET	external bridge
More info	IG/IS/IM-NTC-BB – Communications (page 12)				

Controllers	IG-NT	IG-NTC	IS-NT-BB	IM-NT
Connection applicable	NO	NO	NO	NO
Available ports	external bridge	external bridge	external bridge	external bridge

Note: Internet connection is available for all mentioned controllers via **Ethernet – MODBUS (IB-NT) (page 43)**.

Number of clients connected simultaneously

- ▶ 3 clients ComAp/TCP protocol IntelliMonitor, up to 2 of them can be connected via AirGate.

Example:

- 3x direct IP connection, or
- 2x direct IP connection + 1x AirGate connection, or
- 1x direct IP connection + 2x AirGate connection

All of the connections shown above, should be combined with:

- ▶ 1x Modbus TCP connection **or** 1x SNMPv1 Manager connection (switching is between MODBUS and SNMP is made via configuration web interface)
- ▶ 2x clients of SCADA web interface (IGS-NT only, for the IS2 GAS and GSC controllers plus their families is SCADA web access not available anymore).

Ethernet connection settings

Perform the connection settings the same way as for **Ethernet connection (Direct) (page 27)**.

How to open Internet connection in IntelliMonitor?

Use the same procedure as well as for **Ethernet connection (Direct) (page 35)**.

Using a web browser

Ethernet connection to controller makes possible using any web browser for basic monitoring and adjustment of the controller. Simply put the IP address of the module into the address line in your web browser like `http://192.168.1.254` and then enter access code. In case of connection from web browser there is 5 minutes timeout after closing the browser window. After that the client is automatically logged out.

Note: The IP addresses of the controllers must be accessible from the remote computer. If the remote computer is connected into another LAN segment than the gen-sets are, there must be a gateway(s) that enable direct traffic between the segments. If the remote computer is connected via Internet, then the internet gateway of the LAN where gen-sets are connected must have public IP address, must allow incoming traffic and must provide port forwarding from the external public IP to the different internal gen-set IPs according to the port used.

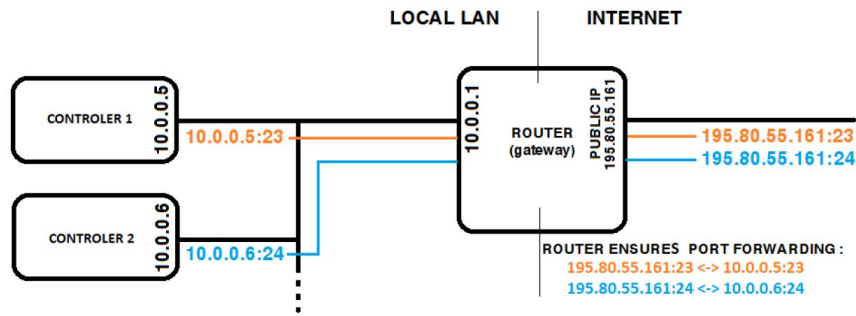


Image 4.1 Internet gateway configuration example (port forwarding)

4.1.2 Equipment

	Equipment needed
Controller side	-
Connection	Ethernet cable (page 86) to LAN, for point to point connection between PC and controller use cross-wired cable
PC side	ETHERNET connection

4.1.3 Available software for IG/IS-NT

Software	GenConfig	InteliMonitor	WinScope
Applicable	YES	YES	YES

4.2 Internet connection via AirGate

IMPORTANT: Every new device must be authorized after first time connected to the AirGate, registered and obtained the AirGate ID. Go to the web page airgate.comap.cz to authorize your device.

This connection type is used for connection to controllers/sites, that are connected to the Internet, however they do not have public and static IP address. The controllers connect by themselves to the AirGate server and cyclically ask whether there is a connection request from a client or not. On the other side the clients (InteliMonitor, WebSupervisor) connect to the AirGate server instead of connecting directly to the controller. The server then creates a "tunnel" between the client and the controller. Internet connection via AirGate server is supported by controllers IG-NTC-BB and IS-NTC-BB with ethernet connection possibility. The connection to ethernet is realized the same way as **Connection to Internet (Direct)** (page 47).

IMPORTANT: To avoid unauthorized access to the controller change the access code and keep it secret!

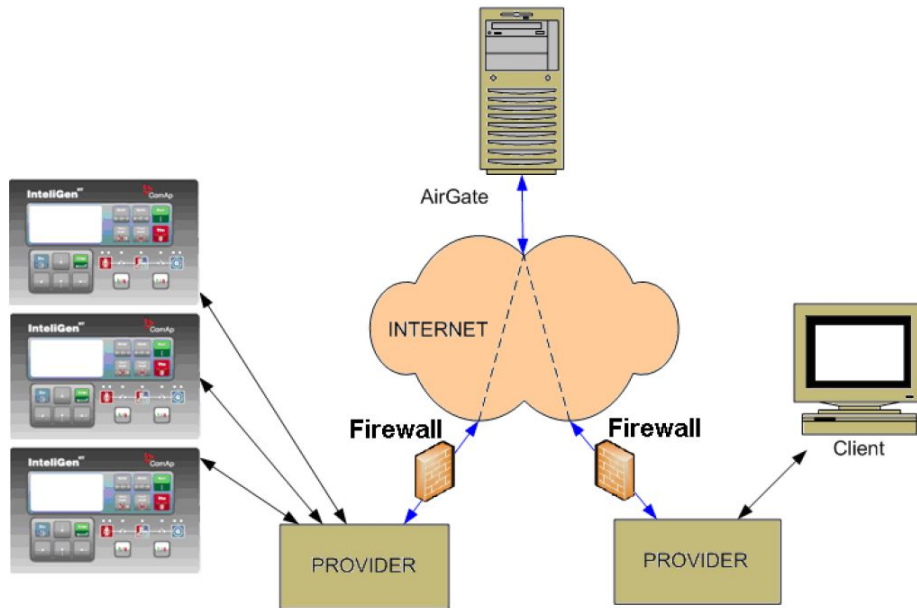


Image 4.2 Principle of AirGate connection

Firewall adjustment

- ▶ Client side: allow outgoing traffic to any IP address, port TCP/44445.
- ▶ Controller side: allow outgoing traffic to any IP address, port TCP/23 and UDP/6127

Note: No tunnels (port forwarding) are required for AirGate connection.

AirGate connection settings

Parameters can be set via any type of connection (USB, RS232, Ethernet). Setup is provided via IntelliMonitor. For ethernet connection set these parameters in Comms Settings group:

IP addr mode	0 ON	1 0FF	2 0FF	3 0FF	4 0FF	5 0FF	6 0FF	7 0FF	AUTOMATIC
IP address	0 ON	1 0FF	2 0FF	3 0FF	4 0FF	5 0FF	6 0FF	7 0FF	192.168.1.254
Net mask	0 ON	1 0FF	2 0FF	3 0FF	4 0FF	5 0FF	6 0FF	7 0FF	255.255.255.0
Gateway IP	0 ON	1 0FF	2 0FF	3 0FF	4 0FF	5 0FF	6 0FF	7 0FF	192.168.1.1
ComApProtoPort	0 ON	1 0FF	2 0FF	3 0FF	4 0FF	5 0FF	6 0FF	7 0FF	23
AirGate	0 ON	1 0FF	2 0FF	3 0FF	4 0FF	5 0FF	6 0FF	7 0FF	ENABLED
AirGate IP	0 ON	1 0FF	2 0FF	3 0FF	4 0FF	5 0FF	6 0FF	7 0FF	airgate.comap.cz

Controllers

Controllers	IG-NT-BB	IG-NTC-BB	IS-NTC-BB	IM-NTC-BB	IM-NT-BB
Connection applicable	NO	YES	YES	YES	NO
Available ports	external bridge IB-NT	RS232(2)	RS232(2)	RS232(2)	external bridge IB-NT
More info	IG/IS/IM-NTC-BB – Communications (page 12)				

Controllers	IG-NT	IG-NTC	IS-NT-BB	IM-NT
Connection applicable	NO	NO	NO	NO
Available ports	external bridge IB-NT	external bridge IB-NT	external bridge IB-NT	external bridge IB-NT

IMPORTANT: Connection via AirGate is supported by controllers with direct connection to LAN only or via IB-NT module.

Connection to IntelliMonitor via AirGate server

- ▶ Select the AirGate connection type.
- ▶ Fill-in the correct AirGate ID for each controller.
- ▶ Enter the AirGate server address.

Note: You will obtain the AirGate ID by the registration of the particular controller on the AirGate server. Set all setpoints in Comms Settings group according to AirGate connection settings and connect controller to LAN. Controller AirGate ID will be viewed on the screen.

Note: This function is available in IntelliMonitor ver. 2.6 and higher. Please watch the ComAp a.s. web site for detailed information.

Note: Although the controllers in your site are not connected together by the CAN2 bus they must have different controller addresses.

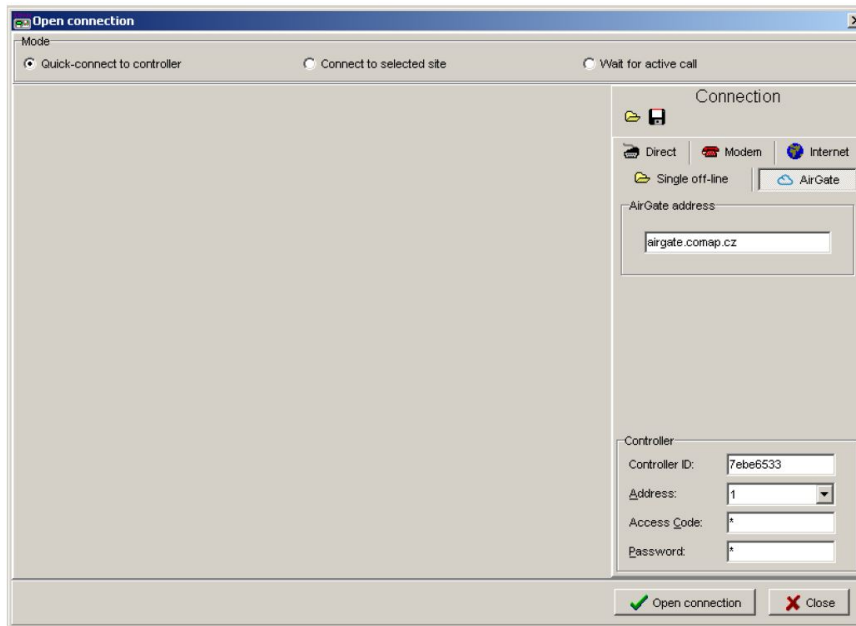


Image 4.3 AirGate connection screen

4.3 WebSupervisor

WebSupervisor is web based system designed for monitoring and controlling ComAp controllers via the internet. This system offers a number of beneficial features that help optimize revenue for machinery fleets, as each piece of equipment can be individually monitored for all important operation values.

Controllers

Controllers	IG-NT-BB	IG-NTC-BB	IS-NTC-BB	IM-NTC-BB	IM-NT-BB
Connection applicable	YES	YES	YES	YES	YES
Available ports	external bridge IB-NT	ETHERNET	ETHERNET	ETHERNET	external bridge IB-NT
More info	IG/IS/IM-NTC-BB – Communications (page 12)				

Controllers	IG-NT	IG-NTC	IS-NT-BB	IM-NT
Connection applicable	YES	YES	YES	YES
Available ports	external bridge IB-NT	external bridge IB-NT	external bridge IB-NT	external bridge IB-NT

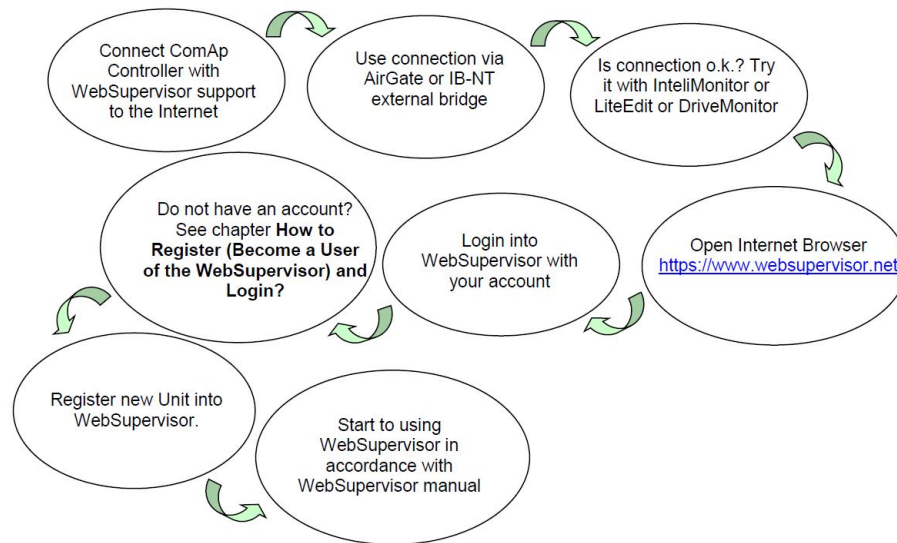
WebSupervisor connection settings

Connection of controllers with direct Ethernet port can be realized two different ways:

- ▶ Internet connection via AirGate: No fixed and public IP address is needed. Connect and set the controller the same way as for **Internet connection via AirGate (page 49)**.
- ▶ Internet connection without AirGate: Controller has to have fixed and public IP address. Connect and set the controller the same way as for **Direct PC connection to Single Gen-set (page 24)**.

Connection of all controllers can be realized using IB-NT external bridge.

First steps



Start to using

How to Register (Become a User of the WebSupervisor) and Login?

You can start using WebSupervisor without installation any special software on your PC.

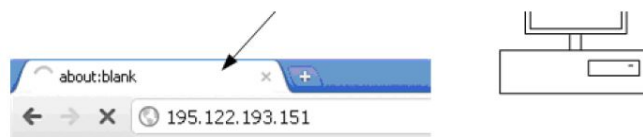
To start and login into WebSupervisor open www.websupervisor.net in your browser and follow the steps at WebSupervisor.

More information about WebSupervisor you can get at:

www.websupervisor.net/download/WebSupervisor 4.0 - Global Guide.pdf

4.4 Web interface

The web interface is intended to monitor the controller from a web browser. Static IP address is required for this function as you must know the IP address to put it into the browser. Public IP address or port forwarding is required if you want to see the web pages from the Internet.



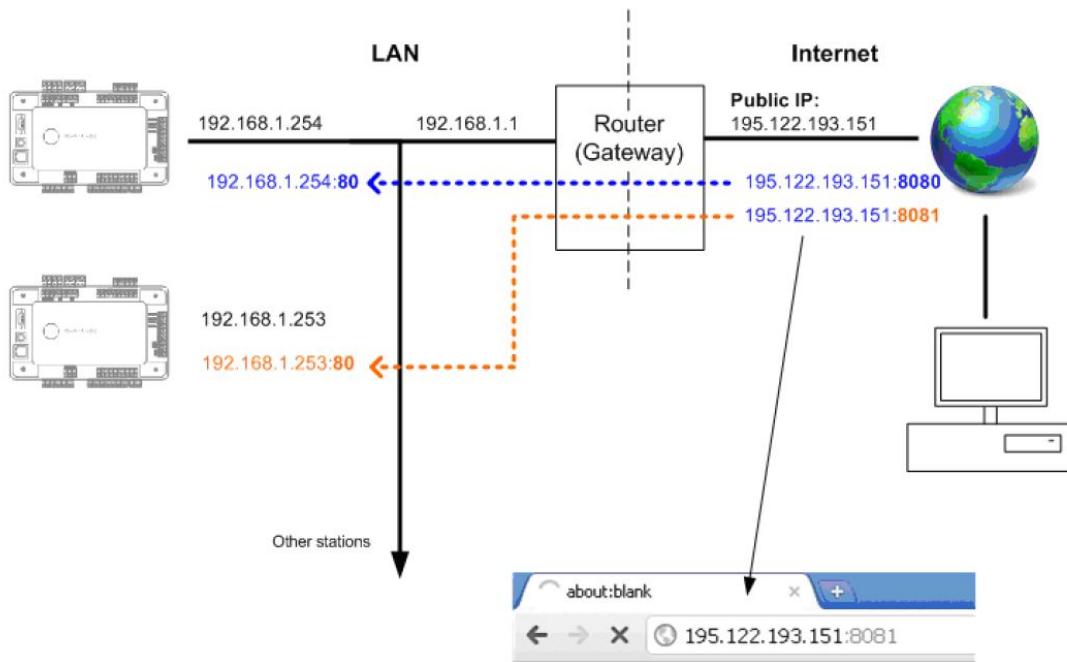


Image 4.4 Port forwarding example for Web connection

The web server is designed for basic monitoring and adjustment of the controller using a web browser. Put the Controller IP address into the browser. You will be asked for the controller access code prior to entering the controller web.

Note: The web server is optimized for IE6 or higher and screen resolution 1024 × 768 pixels.

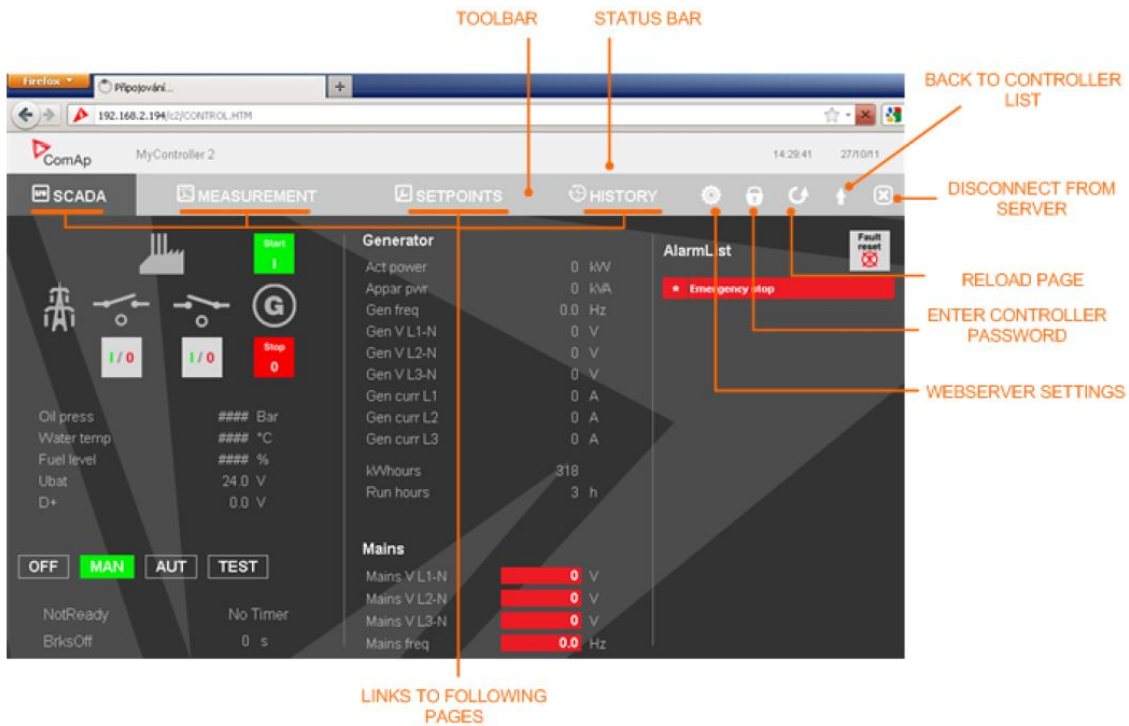
Note: For update inbuilt Ethernet module see IB-COM manual. Or add suffix to IP address `/sp_index.htm` and follow instructions, eg: `192.168.1.1/sp_index.htm`.

IMPORTANT: Do not use the browser navigation buttons as "Back", "Forward" or "Reload". Use the links and the reload button located in the toolbar instead.

4.4.1 Scada

Click to the SCADA link in the toolbar to display the SCADA page. The SCADA page is also the main page which is displayed by default if you just put the controller address into the browser.

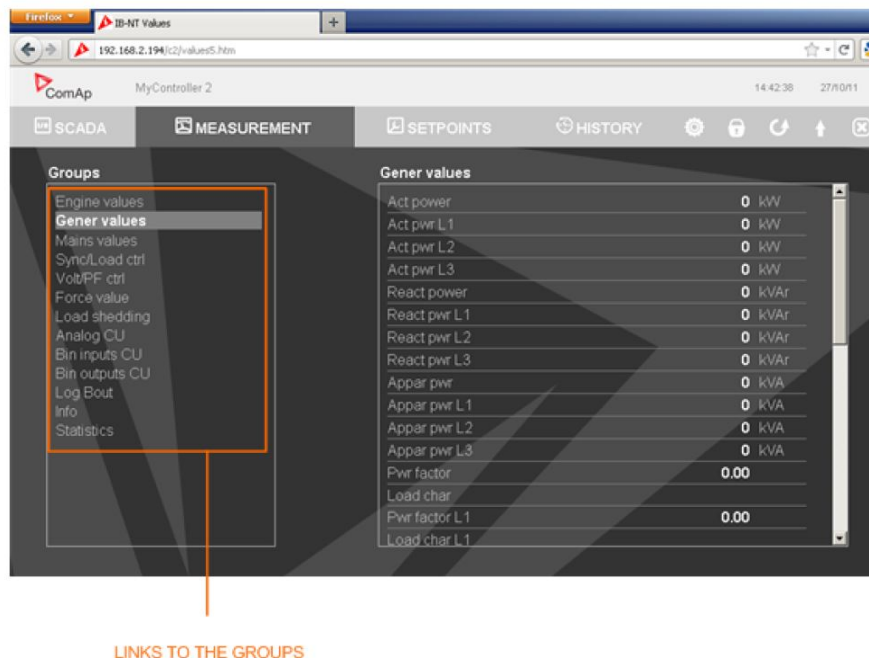
Note: The SCADA page layout may differ according to the firmware branch, version and application. Certain old firmware versions does not support web access at all.



4.4.2 Measurement

Click to the MEASUREMENT link in the toolbar to display the measurement page. Then click to the required group name in the left box to display values of the group in the right box.

Note: The measurement page is automatically refreshed every 60 seconds.

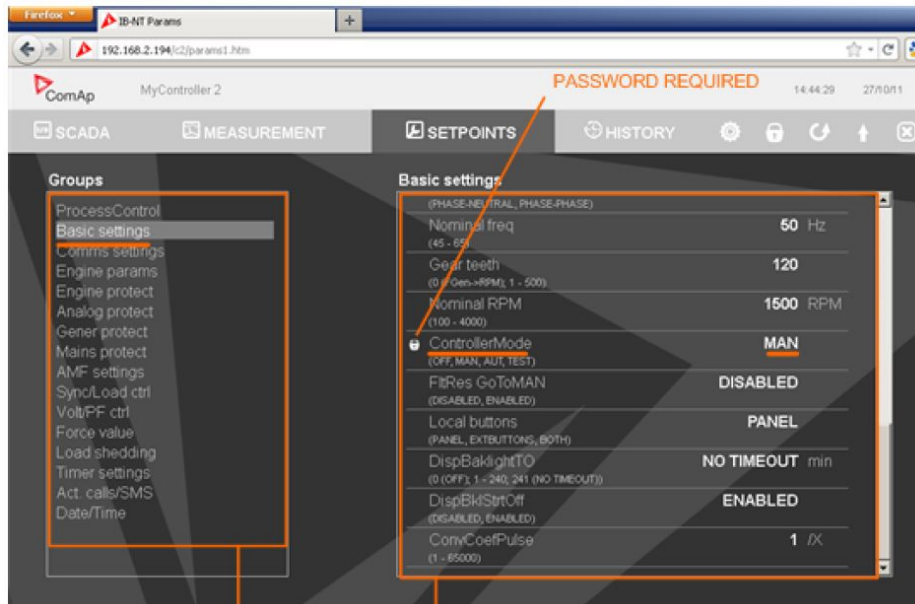


4.4.3 Setpoints

- ▶ Click to the Setpoints link in the toolbar to display the setpoints page.
- ▶ Click to the required group name in the left box to display setpoints of the group in the right box.

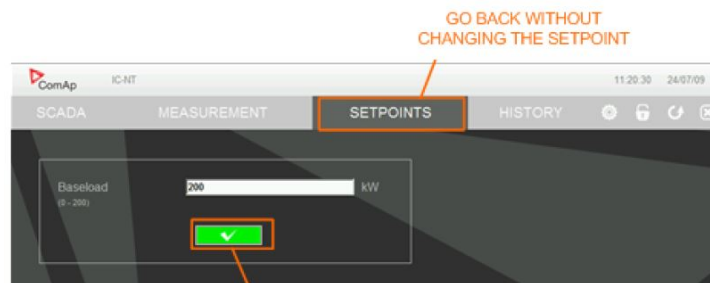
- ▶ Click to the required setpoint name or value to change the value. If the respective setpoint is protected by password, which is indicated by a lock icon by the setpoint name, you have to click on the "Controller password" icon located in the toolbar and then enter valid password.

Note: The setpoint page is automatically refreshed every 60 seconds. If an another user changes a setpoint from other terminal, the web page will not show this change immediately as e.g. IntelliMonitor.



LINKS TO THE GROUPS

LINKS TO THE SETPOINTS CHANGE



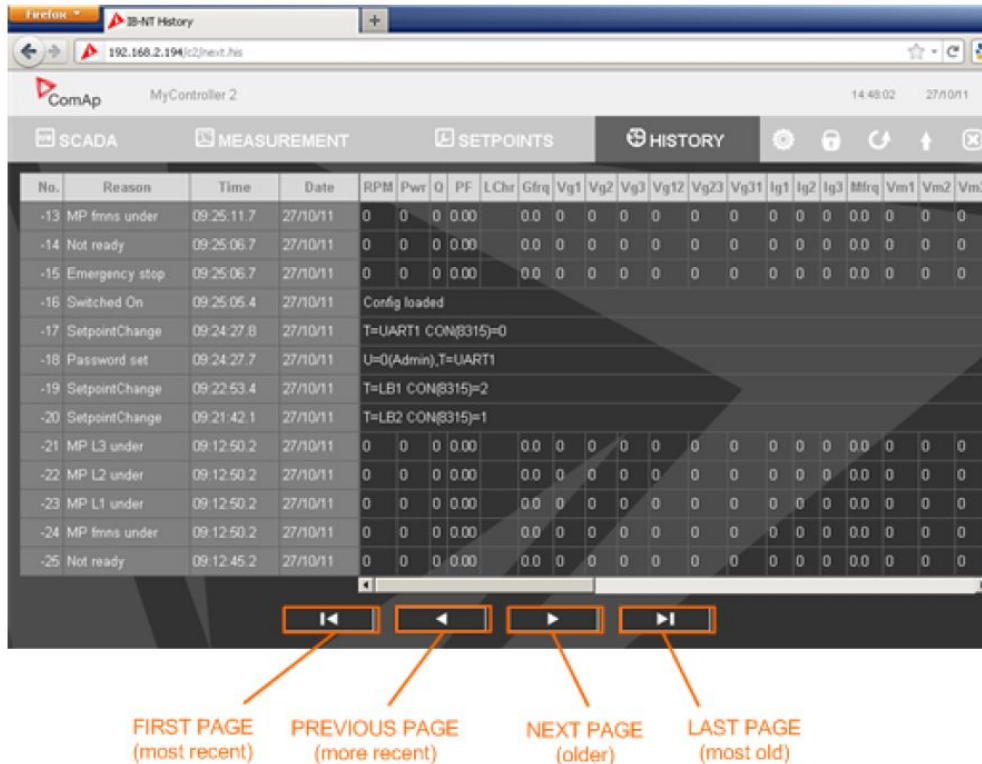
GO BACK WITHOUT CHANGING THE SETPOINT

CONFIRM CHANGE

4.4.4 History

- ▶ Click to the HISTORY link in the toolbar to display the history page.
- ▶ Use the control buttons to move within the history file.

Note: The history page is automatically refreshed every 5 minutes. If a new record appears in the controller, the web page will not show it immediately as e.g. IntelliMonitor.



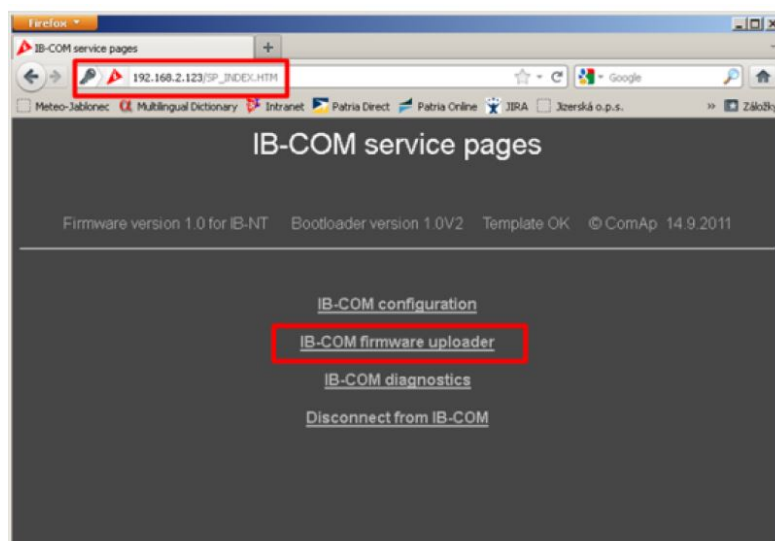
4.4.5 Web server adjustment

- ▶ Click to the "Webserver settings" icon in the toolbar to display the settings page.
- ▶ Select the controller language the web pages will appear in.
- ▶ Select the rate of automatic refresh of the SCADA page.

Communication module firmware upgrade

Firmware in inbuilt communication module (IB-COM) can be upgraded. For upgrade type in your web browser IP address of controller and behind the address type "/SP_INDEX.HTM".

For more information please [follow manual related to IB-COM](#).



4.5 Internet connection via cellular network

4.5.1 Connection via Internet bridge IB-NT

What is InternetBridge-NT?

InteliBridge-NT is a communication module that allows connection of a single controller as well as whole site to the Internet or Local area network. The connection to the Internet can be via built-in cellular modem supporting 2G and 3G networks or Ethernet cable. For 4G network please use InteliBridge-NT 4G.

The module can be used for controllers from following product lines: IG-NT, IS-NT and IC-NT.

Note: For proper operation it is necessary to update the controller firmware to a version which supports IB-NT. For IG-NT and IS-NT standard branch the first version supporting IB-NT is 2.6. For more information about IB-NT read [IB-NT Global Guide](#).

Features

- ▶ Direct ethernet connection to ComAp PC programs
- ▶ AirGate® support
- ▶ SMTP protocol for sending of active emails from the controller
- ▶ HTTP protocol for web-based monitoring and adjustment
- ▶ Modbus/TCP server
- ▶ SNMP protocol

4.5.2 Active Call

Function

When active calls are activated for alarms on site (warning, shut-down...) the controller calls to the preselected telephone number and sends the ANT archive file.

Software (e.g. InteliMonitor) on the PC side must be running and waiting for active call.

Controllers

Controllers	IG-NT-BB	IG-NTC-BB	IS-NTC-BB	IM-NT-BB	IM-NTC-BB
Connection applicable	YES	YES	YES	YES	YES

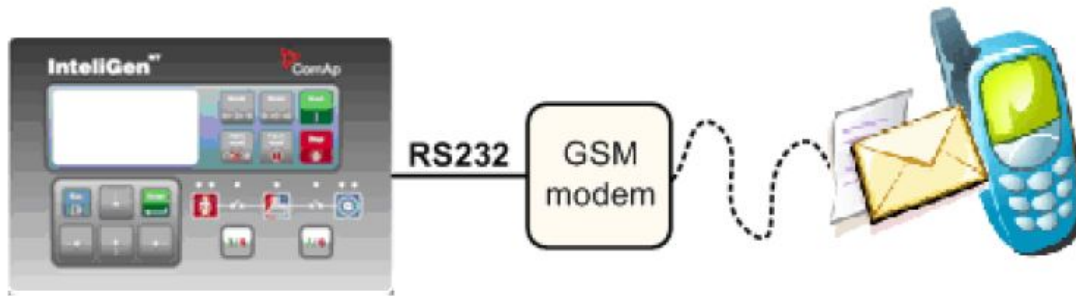
Controllers	IG-NT	IG-NTC	IS-NT-BB	IM-NT
Connection applicable	YES	YES	YES	YES

Controller setup

(Setpoints/Comms settings group)

Act. calls/SMS: AcallCH1(-3)-Type = DATA
Act. calls/SMS: AcallCH1(-3)-Addr = telephone number

4.6 Active SMS



Function

When SMS active calls are activated for alarms on site (warning, shut-down...) the controller sends SMS message to the predefined GSM number.

Controllers

Controllers	IG-NT-BB	IG-NTC-BB	IS-NTC-BB	IM-NT-BB	IM-NTC-BB
Connection applicable	YES	YES	YES	YES	YES

Controllers	IG-NT	IG-NTC	IS-NT-BB	IM-NT
Connection applicable	YES	YES	YES	YES

Equipment

	Equipment needed
Controller side	GSM Modem or I-LB+ + GSM Modem
Connection	GSM
PC side	GSM Mobile Phone

Controller setup

(Setpoints/Comms settings group)

Act. Calls/SMS: AcallCH1(-3)-Type = SMS
Act. calls/SMS: AcallCH1(-3)-Addr = mobil phone number
Act. calls/Acall+SMS lang: AcallCH1(-3)-Addr = 1, 2, 3, ...

Note: Maximum length of SMS sent in not default language is 70 characters. Number of language corresponds with number of language in GenConfig (card “Languages”).

Example:

SMS in format

#Gen-set name:AL=(Wm PrimWater temp, !Emergency stop)

is sent in case that the primary water temperature exceeded the warning limit and Emergency stop input has been deactivated.

4.6.1 Active E-mail (SMS E-mail)

Controllers

Controllers	IG-NT-BB	IG-NTC-BB	IS-NTC-BB	IM-NTC-BB	IM-NT-BB
Connection applicable	YES	YES	YES	YES	YES
Available ports	external bridge IB-NT	ETHERNET	ETHERNET	ETHERNET	external bridge IB-NT
More info	IG/IS/IM-NTC-BB – Communications (page 12)				

Controllers	IG-NT	IG-NTC	IS-NT-BB	IM-NT
Connection applicable	YES	YES	YES	YES
Available ports	external bridge IB-NT	ETHERNET	ETHERNET	external bridge IB-NT
More info	IG/IS/IM-NTC-BB – Communications (page 12)			

Equipment

	Equipment needed
Controller side	Ethernet connection
Connection	Internet
PC side	Ethernet connection, e-mail message box

Function

When active e-mails are activated for alarms on site (warning, shut-down...) the controller sends e-mail message to the predefined e-mail address. The function and settings for Direct Ethernet port connection and connection via external bridge IG-IB are the same.

Controller setup

(Setpoints/Comms settings group)

Act. calls/SMS: AcallCH1(-3)-Type = IB-E-MAIL
Act. calls/SMS: AcallCH1(-3)-Addr = email address (maximum length of email address is 31 characters)
Act. calls/Acall+SMS lang: AcallCH1(-3)-Addr = 1, 2, 3, ...

Note: Number of language corresponds with number of language in GenConfig (card "Languages").

4.7 Access Lock

This functionality limits access to the controller, from fully control to monitoring only (it means that commands are blocked, no setpoint changes).

The reading all values is still available, change the screens on displays is available. Access Lock is located at LBI card in GenConfig and can be attached to binary input.

 **back to Remote monitoring**

5 Peripheral modules

- 5.1 Displays 62
- 5.2 Comms extension – I-LB+ Local bridge 64
- 5.3 I-CR Module for CAN Bus Extension 67
- 5.4 I-CR-R Module for CAN Bus Redundancy 68
- 5.5 I-CR-R module properties 70
- 5.6 Commands for IGS-NT and IntelliSys Gas 73
- 5.7 Commands for IM-NT 76

🔍 back to Table of contents

5.1 Displays

5.1.1 IntelliVision 12Touch display

Controllers

Controllers	IG-NT-BB	IG-NTC-BB	IS-NTC-BB	IM-NT-BB	IM-NTC-BB
Connection applicable	YES	YES	YES	YES	YES
Physical port	RS485(1), CAN2	RS485(1 and 2)*, CAN2, Ethernet	RS485(1 and 2)*, CAN2, Ethernet	CAN2	RS485(2), CAN2, Ethernet

Controllers	IG-NT	IG-NTC	IS-NT-BB	IM-NT
Connection applicable	NO	NO	NO	NO
Physical port	-	-	-	-

Note: * For using second RS485(1) for IV12T connectivity, you need to check / modify Setpoints->Comm settings -> RS485(1)conv. -> Enabled

Note: For more information please see www.comap-control.com/products/detail/intelivision-12touch

5.1.2 IntelliVision 8 display

Controllers

Controllers	IG-NT-BB	IS-NTC-BB	IM-NT-BB	IG-NTC-BB	IM-NTC-BB
Connection applicable	YES	YES	YES	YES	YES
Physical port	RS485(1), CAN2	RS485(1), CAN2	RS485(1), CAN2	RS485(1), CAN2	RS485(1), CAN2
More info	IG/IM-NT-BB – Terminal (page 17)			IG/IS/IM-NTC-BB – Terminals (page 13)	

Controllers	IG-NT	IM-NT	IG-NTC	IS-NT-BB
Connection applicable	YES	YES	YES	YES
Physical port	RS485(1), CAN2	RS485(1), CAN2	RS485(1), CAN2	RS485(1), CAN2
More info	IG/IM-NT-BB – Terminal (page 17)		IG/IS/IM-NTC-BB – Terminals (page 13)	

It is possible to connect up to 3 IV8 displays to RS485(1) terminal Link (see **IG/IS/IM-NTC-BB – Terminals on page 13**) and up to 2 displays on CAN2 bus.

Note: Connection IntelliVision 8 to IG/IS-NT controllers is described in [IntelliVision8 Global Guide](#).

Note: In case of connection IV8 to controller via CAN(2) bus the collision can occur. IV8 is in this case connected via 123 and 124 CAN2 physical address, that can be used for other peripheral modules (see the table below). Make sure, that real CAN2 physical address (123 and 124) are not shared by other devices such as I-LB+ module.

Real CAN2 Address	IG-MU	I-LB (local) (RS232/485)	I-LB (modem)	I-LB+ (USB)	IG-IB (IBConfig<1,5)	IG-IB (IBConfig>1,6)	IV-Display	I-RD -CAN
122	-	-	addr. 2	-	-	-	-	-
123	addr. 2	addr. 2	-	addr. 1	addr. 1	addr. 2	addr. 2	addr. 2
124	addr. 1	addr. 1	-	addr. 2	addr. 2	addr. 1	addr. 1	addr. 1
125	modem	-	addr. 1	-	-	-	-	-

Controller setup

(Setpoints/Comms settings group)

RS485(1) conv. = DISABLED

5.1.3 IntelliVision 5 display

Controllers

Controllers	IG-NT-BB	IM-NT-BB	IG-NTC-BB	IS-NTC-BB	IM-NTC-BB
Connection applicable	YES	YES	YES	YES	YES
Physical port	RS485(1)	RS485(1)	RS485(1)	RS485(1)	RS485(1)
More info	IG/IM-NT-BB – Terminal (page 17)		IG/IS/IM-NTC-BB – Terminals (page 13)		

Controllers	IG-NT	IM-NT	IG-NTC	IS-NT-BB
Connection applicable	YES	YES	YES	YES
Physical port	RS485(1)	RS485(1)	RS485(1)	RS485(1)
More info	IG/IM-NT-BB – Terminal (page 17)		IG/IS/IM-NTC-BB – Terminals (page 13)	

It is possible to connect up to 3 IntelliVision 5 displays to RS485(1) terminal Link (IG/IS/IM-NTC-BB – Terminals (page 13)).

Note: Connection IntelliVision 5 to IG/IS-NT controllers is described in [IntelliVision5 Global Guide](#).

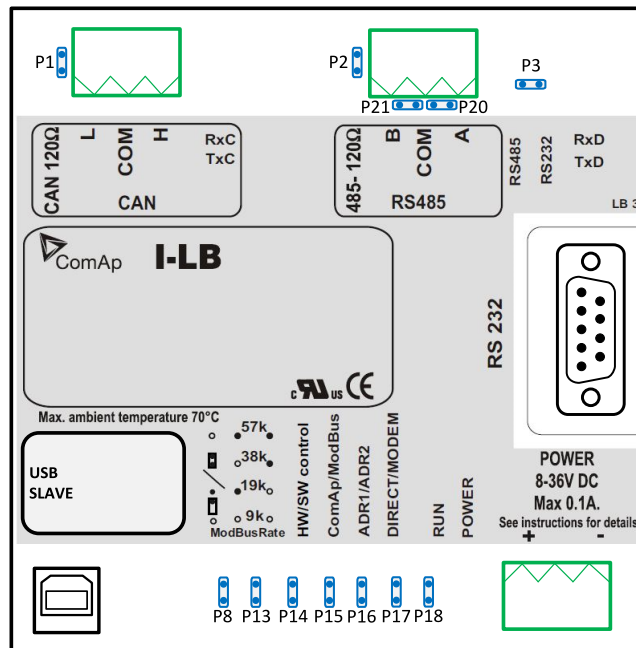
Controller setup

(Setpoints/Comms settings group)

RS485(1) conv. = DISABLED

5.2 Comms extension – I-LB+ Local bridge

I-LB+ is communication modules for communication with all devices connected to CAN2 bus. I-LB+ is successors of the IG-MU unit designed to be used with IG/IS controllers. It therefore provides additional communication port and higher communication speed. Speed for direct/modem connection can be up to 57600 bps. I-LB+ can be connected with PC via USB, RS232 or RS485. I-LB+ is with USB port (speed ≈ 115200 bps).



5.2.1 Jumper settings

Jumper	Description	State
P1	CAN terminating resistor	Opened – not connect
P2	RS485 terminating resistor	Opened – not connect
P3	RS232 or RS485	1–2 – active RS485
P8	USB enable/disable	Opened – disabled
P13	Modbus rate	9600, 19200, 38400, 57600 bps
P14	Modbus rate	(according to picture: O = Open, C = Close.
P15	HW or SW modem control	Opened – HW control
P16	ComAp or Modbus	Opened – ComAp protocol
P17	ADR1 or ADR2	Opened – ADR1
P18	Direct or Modem	Opened – Direct

According Addr.1/Addr.2 settings real CAN address is assigned to port

	RS232/485 DIRECT	MODEM	USB
Addr. 1	124	125	123
Addr. 2	123	122	124

It is possible to use those combinations simultaneously:

- ▶ 2x direct RS232/RS485 and 2x MODEM (USB communication has to be disabled, P8 is opened)
- ▶ 1x USB and 1x RS232/RS485

5.2.2 Jumper selection tree

ComAp/ModBus – selects between ComAp PC tools (InteliMonitor, WinScope, ...) and third party PC SW for monitoring:

- ▶ **ComAp**
 - **Direct/Modem** – selects between direct connection (via RS232 or RS485) and modem connection type
 - **DIRECT**
 - **RS232/RS485** – selection of serial communication type
 - **ADR1/ADR2** – selection between two available local communication channels; if I-LB+ is used, the USB communication automatically occupies the other channel
 - **MODEM**
 - **HW/SW control** – selection between modems with full interface
 - **ADR1/ADR2** – selection between two available modem communication channels; IG/IS-NT controllers only, in ID the secondary modem channel not available
 - Setting **RS232/RS485** jumper to RS232 position is obligatory

► **ModBus (not available at USB port of I-LB+, USB port always works in ComAp mode)**

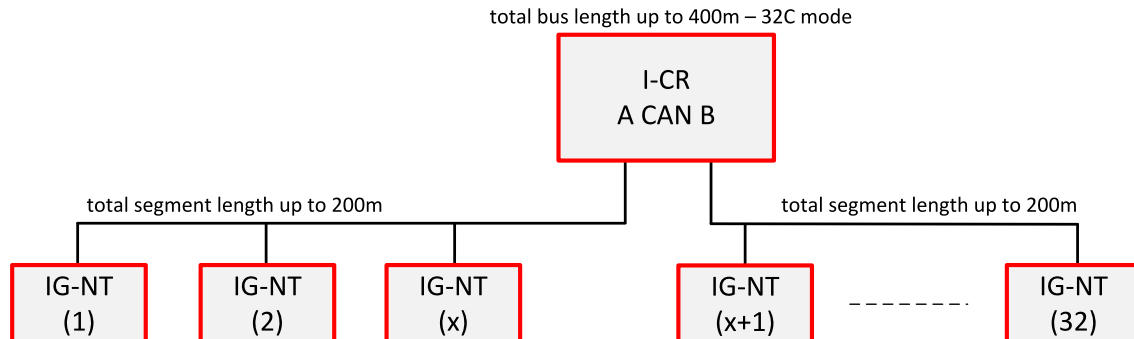
- **Direct/Modem** – selects between direct connection (via RS232 or RS485) and modem connection type
 - **DIRECT**
 - RS232/RS485– selection of serial communication type
 - ADR1/ADR2 – selection between two available local communication channels; if I-LB+ is used, the USB communication automatically occupies the other channel
 - **MODEM**
 - **ADR1/ADR2** – selection between two available modem communication channels; IG/IS-NT controllers only, in ID the secondary modem channel not available
 - Setting **HW/SW** control has no influence; a modem with HW control is always expected in this mode
- **ModBus Rate** (9600 / 19200 / 38400 / 57600 bps) – selects the communication speed when Modbus protocol is selected, no matter if in Direct or Modem mode

Note: For more information read IGS-NT accessory modules manual.

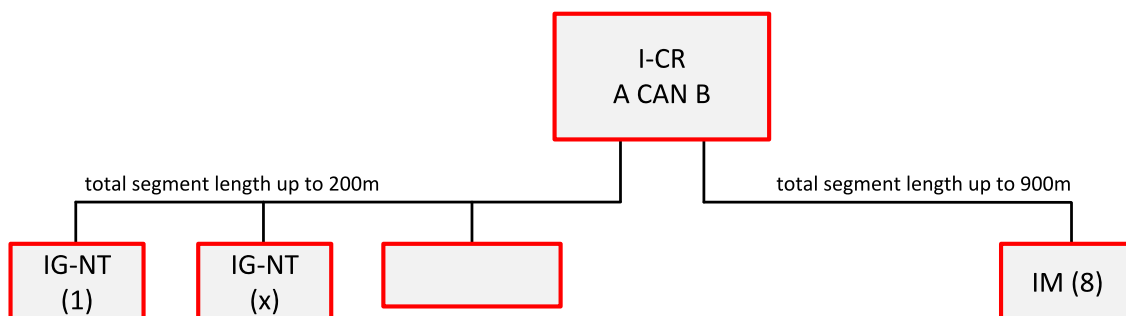
5.3 I-CR Module for CAN Bus Extension

If the distance between units is too high to fit into the 200 m limit (or 900 m for 8 controllers), CAN repeater module (I-CR) can be used to extend it.

Typical case – in line extension:



Connection of I-LB, combination of different CAN bus speeds:



This connection allows PC communication to all controllers in the system (e.g. via IntelliMonitor), including a distant IntelliMains unit.

5.3.1 I-CR module functions

- ▶ Intercontroller CANbus extension (one or more I-CR modules can be used).
- ▶ Intercontroller CAN bus bus-tie bridging – makes groups of controllers in segments A and B “invisible” one for another depending on bus-tie breaker state, keeping the PC communication (I-LB, IG-IB) in function for all controllers.
- ▶ Peripheral CAN bus extension

5.3.2 I-CR configuration jumpers

P2	Forces 250 kbps mode (32C) on CAN A, otherwise speed autodetection is used.
P3	Forces 250 kbps mode (32C) on CAN B, otherwise speed autodetection is used.
P4	Activates Filter mode (bus-tie bridging).
P5	Forces alternate controller address 3 for bus-tie status reading (default controller address is 4).
P10	If “H” network configuration used (two I-CR units), it must be switched to RS485 mode.

Note: For more detailed information about I-CR, see the Application sheet “Extending the CAN bus” or [IGS-NT Installation guide](#).

Note: CAN bus has to be terminated at both ends. In the case of surge hazard (connection out of building in case of storm etc.) see the “CAN and RS485 bus wiring” chapter of the [IGS-NT Installation Guide](#).

5.4 I-CR-R Module for CAN Bus Redundancy

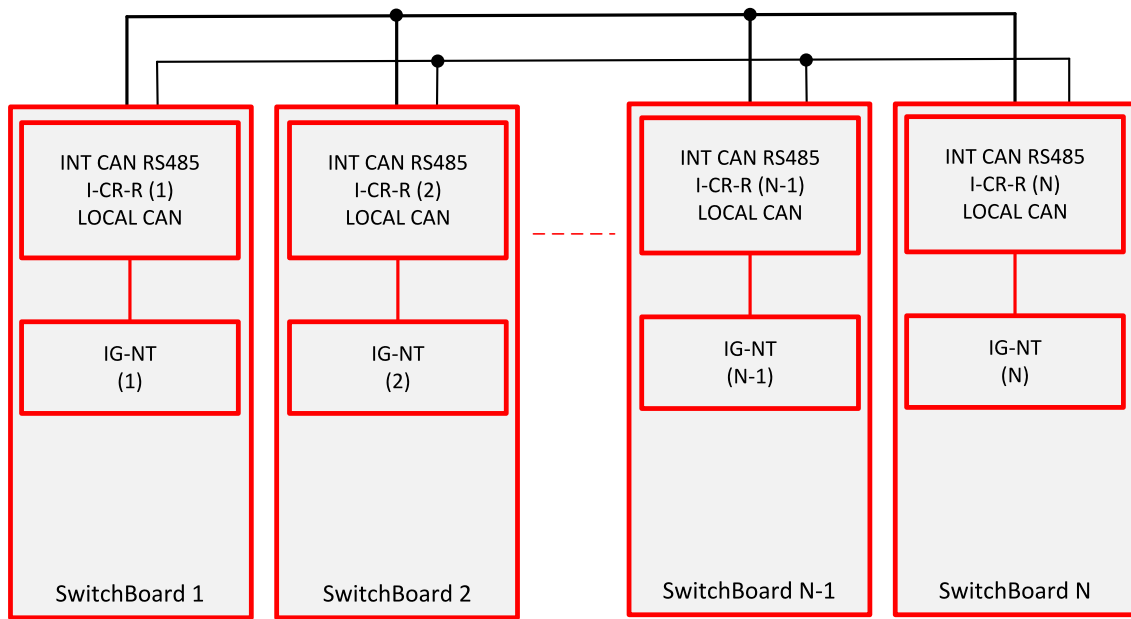
This module is intended to provide CAN bus redundancy in applications where IG/IS-NT controllers are placed in several switchboards that need to be interconnected by the CAN bus communication line and where there is essential to keep the line working. As a side effect, the module also provides the CAN bus line extension.

As the CAN bus provides data exchange needed for Load Sharing and VAr Sharing and also for Power Management features, it’s redundancy can be very important in complex systems with more engines, more mains incomers.

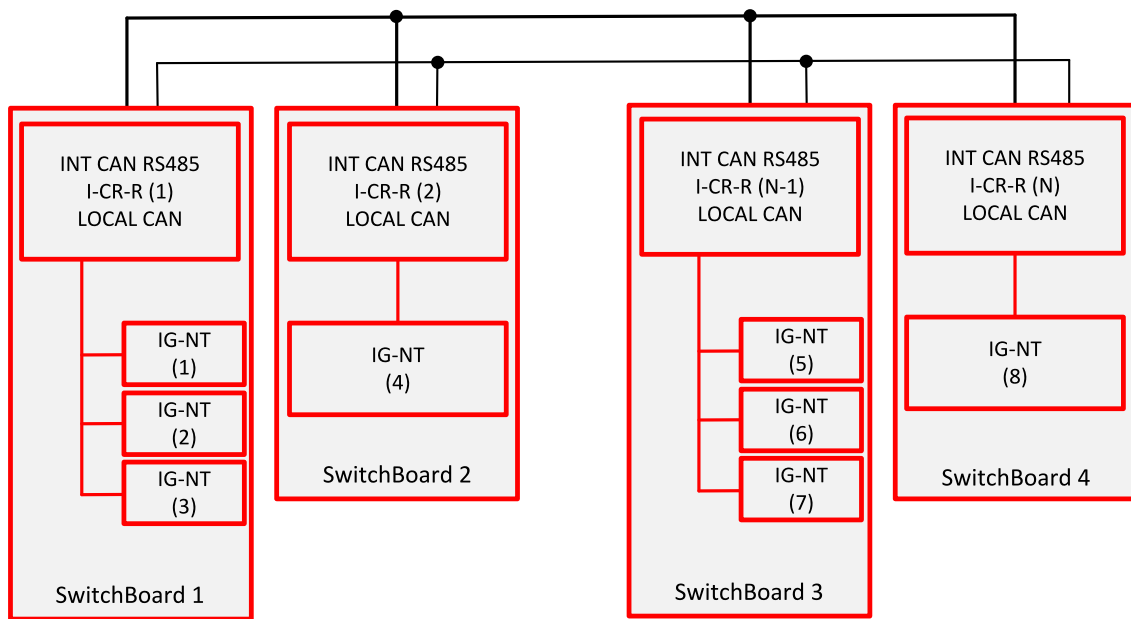
Note: I-CR-R may be used as a redundancy module for a maximum of 20 controllers (counted all controllers on the CAN2 bus).

For usage I-CR-R in an installation of more as 20 controllers please contact our technical support for another redundancy solution.

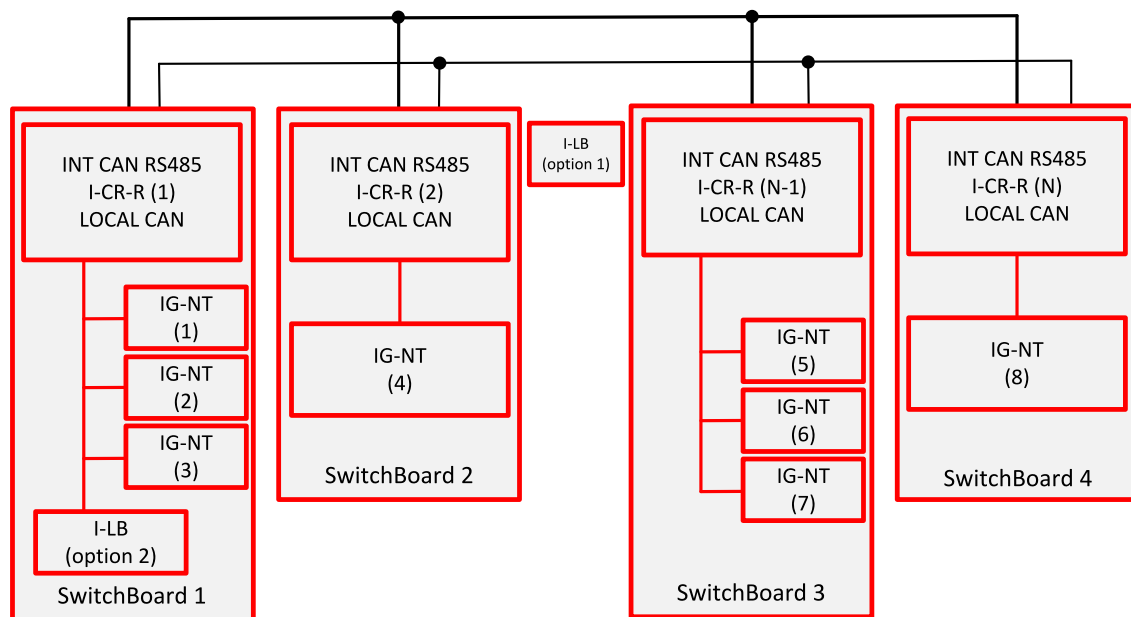
Typical case – several controllers, each one in separate switchboard



More controllers within common switchboard



Connection of I-LB+ or other bridging modules



Note: If I-LB+ (or other bridging module) is to monitor all the site, it is recommended to place it at the position 1. If there is preferably monitored one group (within one switchboard) and the other controllers not at all or only seldom, option 2 is more suitable. Remote connection to let's say controller 7 is possible in this case but data transfer will be quite slow.

5.5 I-CR-R module properties

5.5.1 I-CR-R module functions

- ▶ Intercontroller CAN bus redundancy – basic description of terminology used:
 - Local CAN bus – a bus going from the module to the local controller(s) = within one switchboard; name on the sticker CAN1 CONTROLLER; in standard installation (with no redundancy) this would be the intercontroller bus (CAN2)
 - Primary intercontroller CAN bus – a bus interconnecting all I-CR-R modules and providing 1 to 1 replacement of standard intercontroller CAN bus (CAN2); name on the sticker CAN EMS
 - Backup intercontroller RS485 bus – secondary bus interconnecting all I-CR-R modules; transmits only intercontroller communication (Load Sharing, VAr Sharing, Power Management), not the remote communication (I-LB, IG-IB connection to a PC monitoring tool); controller with address 1 must be presented in the system to make backup bus working
- ▶ The module preferably uses the Primary CAN bus line for data transfer. However, if the connection from any of the controllers connected to other I-CR-R modules is broken the module automatically re-routes it to the Backup RS485 line and continues in operation. From controllers' point of view, no data transfer interruption is observed.
- ▶ It is possible to indicate the problem with Primary or Backup buses using “fake” SHBOUT6 message which is normally used for signal sharing among the controllers. See jumper description further in the text.

- ▶ Intercontroller CAN bus extension – each I-CR-R module provides also CAN bus extension in the same way as I-CR module, i.e. creates segments of the bus where the length of the line is limited within the segment only, not within the whole system.

Note: The redundancy system only makes sense if the cables of Primary and Backup buses are placed physically into different cable routes! Placing them into the same cable route increases the risk of damage of both cables at once.

5.5.2 I-CR-R configuration jumpers

P3 – Forces 8C (50 kbps) mode on Primary intercontroller bus (name at the original sticker CAN EMS); if not active, 32C (250 kbps) mode is automatically used.

Note: All I-CR-R modules within the system must be switched to the same mode, otherwise the primary intercontroller CAN bus won't work.

P4 – Enables transmission of SHBOUT6 message to local CAN bus; the message is intended to transmit indication and error flags from the module to the controllers to make the status of the module visible to the customers. By sending this message, I-CR-R is “cheating” the controllers in it's local CANbus because it is pretending to be one of the other controllers (from intercontroller bus) sending this message. Do not use the real source for SHBOUT6 message if this feature is enabled.

Contents of the SHBOUT6 message	
Position (bit 8 = highest)	Description
bit 8	Always 1 (reserved)
bit 7	Always 1 (reserved)
bit 6	Always 0 (reserved)
bit 5	Always 0 (reserved)
bit 4	Logical 1: Modbus Master (controller with address 1 on the line) is detected
bit 3	RS485 overload occurred (= more data in the queue than could be transmitted via this line)
bit 2	Logical 1: indicates this (local) controller is Modbus Master
bit 1	Difference of “visible” controllers between Primary and Backup bus occurred -> Probably failure in one of the intercontroller lines

Note: Typically, configure a Warning-type protection on the lowest bit signal of this message. The signal becomes active if part of controllers normally “visible” through the Primary or Backup bus is not visible anymore; this means the cable was cut or shorted or otherwise damaged and doesn't connect anymore some part or all the controllers.

Note: Because bit 1 activates with the difference between Primary and Backup buses it is able to indicate failures of both Primary and Backup buses, so even if Primary bus works fine, it is able to show the problem with Backup bus to allow the technician to repair it before it actually becomes a problem. Otherwise the problem with the Backup bus would stay hidden until Primary bus would have failed and then the intercontroller communication would stop working completely.

5.5.3 I-CR-R indication and diagnostic LEDs

LED	State	Function
PWR	Lights	If all other LEDs except of the PWR LED are dark the FW is located in a wrong type of module; please make sure that I-CB/CAT GAS dongle is present on terminal P5
	Dark	If all LEDs are dark there is no power supply to the module
RUN	Lights	Firmware is OK and running
	Slow flash	Firmware corrupted (periodic Watchdog reset)
	Fast flash	RS485 was interrupted or no master found on RS485 backup bus; (controller with address 1 must be presented in the system to make backup bus working)
CONTR	Lights	Local CAN bus is running OK (between controller and I-CR-R)
	Flashes	No controller detected on local CAN bus; on local bus, speed 32C is always expected (short connection only – within the switchboard)
EMS	Lights	Communication on CAN bus between I-CR-Rs is running
	Flashes	CAN bus between I-CR-Rs was interrupted Automatic speed detection 32C / 8C; enters this mode if no controller / transmission detected on Primary intercontroller bus (for 2 s)
CAN CONTR (TxC, RxC)	Flashes	Local CAN interface activity
CAN EMS (TxC, RxC)	Flashes	Primary intercontroller CAN interface activity
COM (TxD, RxD)	Flashes	Backup intercontroller RS485 interface activity

5.6 Commands for IGS-NT and IntelliSys Gas

First it is necessary to enter an appropriate user and his password first to enable commands, if these are protected by level 1-7.

Command(*)	Meaning	Argument(*)	Return Value(*)	
1	Start the engine – in one step (page 107)	01FE0000	00001FF	OK
			2	Argument has not been written
	Engine stop	02FD0000	00002FE	OK
			2	Argument has not been written
	Horn reset	04FB0000	00004FC	OK
	Fault reset	08F70000	00008F8	OK
	ECU Fault reset	10EF0000	000010F0	OK
		other	1	Wrong argument

Command(*)	Meaning	Argument(*)	Return Value(*)	
2	Close/open generator circuit breaker (IGS-NT) Clutch ON/OFF (ID)	11EE0000	000011EF	OK
			2	Argument has not been written
	Close generator circuit breaker	11EF0000	000011F0	OK
			2	Argument has not been written
	Open generator circuit breaker	11F00000	000011F1	OK
			2	Argument has not been written
	Close/open mains circuit breaker	12ED0000	000012EE	OK
			2	Argument has not been written
	Close mains circuit breaker	12EE0000	000012EF	OK
			2	Argument has not been written
	Open mains circuit breaker	12EF0000	000012F0	OK
			2	Argument has not been written
	other	1	Wrong argument	
5	Reset from Init state (#1)	44440000	00004445	OK
			1	Not possible to perform
7	Statistics reset	007C0000	0000007D	OK
			1	Not possible to perform
8	Set kWh counter	New value	N/A	

Command(*)	Meaning	Argument(*)	Return Value(*)	
C	Set kVAhr counter	New value	N/A	
D	Set counter of engine starts	New value	N/A	
E	Set runhours counter	New value	N/A	
19	Set counter of unsuccessful engine starts	New value	N/A	
1A	Remote Switch 1-8 – Set (Remote Control 1-8) (page 104) (RemoteControl1-8)	00200000	N/A	
	Reset binary output RemoteSwitch1-8 (RemoteControl1-8)	00100000	N/A	
1F,20,21,22	Set pulse counters (IS-NT only)	XXXXYYYY (XXXX)	Upper value +1	OK
		Upper part of a new value; YYYY – Lower part of a new value)	1, 2	Not possible to perform
23,24,25,26	Set ExtValue1-4 (#2)	0000YYYY (YYYY - new value)	3	OK
			1, 2	Not possible to perform
AA,AB,AC,AD,AE,AF,B0,B1	Set ExtValue5-12 (#2) (#3)	0000YYYY (YYYY – new value)	3	OK
			1, 2	Not possible to perform

Note:

(*) in HEX

#8

If the controller setpoints are not valid after it is switched on, the controller goes to a blocked state. In this state it is necessary to modify the setpoints from the controller keypad and switch off and on the controller or from the external terminal and unblock the controller by Reset from Init state command. Another condition necessary to unblock the application function of the controller is valid configuration.

#2

Check if the setpoints ExtValueXLolLim and ExtValueXHiLim allow set the requested value to ExtValue.

3

Available only in InteliSys Gas controller.

Note: Writing command and argument in one step is possible only with direct connection to controller. If the communication is via bridge (IB-NT or I-LB+), it is necessary to write the command and argument in two steps, please see **Examples of Modbus Communication on page 94**.

5.7 Commands for IM-NT

First it is necessary to enter an appropriate user and his password to enable commands, if these are protected by level 1-7.

Command	Meaning	Argument(*)	Return Value(*)	
1	Start command	01FE0000	00001FF	OK
			2	Argument has not been written
	Stop command	02FD0000	00002FE	OK
			2	Argument has not been written
	Horn reset	04FB0000	00004FC	OK
Fault reset	08F70000	00008F8	OK	
	other		1	Wrong argument
2	Close/open MGCB	11EE0000	000011EF	OK
			2	Argument has not been written
	Close MGCB	11EF0000	000011F0	OK
			2	Argument has not been written
	Open MGCB	11F00000	000011F1	OK
			2	Argument has not been written
	Close/open MCB / BTB	12ED0000	000012EE	OK
			2	Argument has not been written
	Close MCB / BTB	12EE0000	000012EF	OK
			2	Argument has not been written
Open MCB / BTB	12EF0000	000012F0	OK	
		2	Argument has not been written	
	other		1	Wrong argument
5	Reset from Init state (#1)	44440000	00004445	OK
			1	Not possible to perform
8	Set kWh counter	New value	N/A	
C	Set kVAhr counter	New value	N/A	
00 1A	Set binary output RemoteSwitch1-8 (RemoteControl1-8)	00200000x(**)	N/A	

Command	Meaning	Argument(*)	Return Value(*)	
	Reset binary output RemoteSwitch1-8 (RemoteControl1-8)	00100000x(**)	N/A	
23,24,25,26	Set ExtValue1-4 (#2)	0000YYYY (YYYY – new value)	3	OK
			1, 2	Not possible to perform

Note:

(*) in HEX

Note:

(**) x: switch1 =0, switch2 =1,... switch8 =7

#9

If the controller setpoints are not valid after it is switched on, the controller goes to a blocked state. In this state it is necessary to modify the setpoints from the controller keypad and switch off and on the controller or from the external terminal and unblock the controller by Reset from Init state command. Another condition necessary to unblock the application function of the controller is valid configuration.

#2

Check if the setpoints ExtValueXLoLim and ExtValueXHiLim allow set the requested value to ExtValue.

🔍 back to Peripheral modules

6 Connection

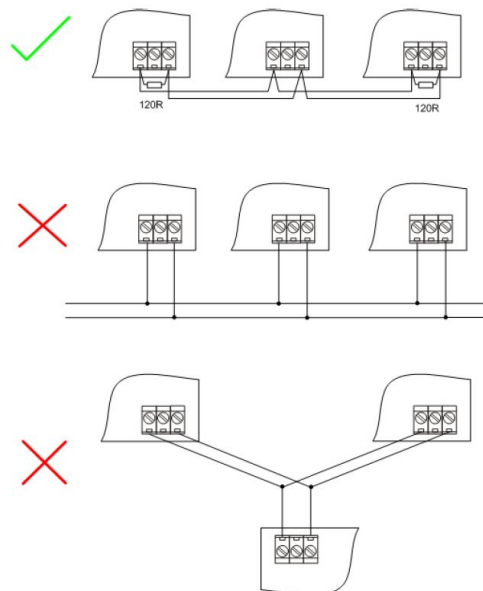
[back to Table of contents](#)

6.1 Recommended CAN/RS485 connection

6.1.1 CAN bus connection

The bus has to be terminated by 120 Ω resistors at both ends.

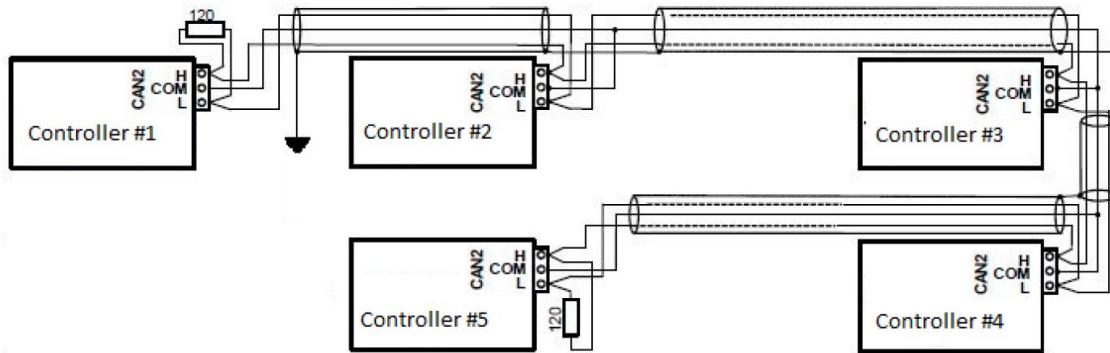
The bus has to be terminated by 120 Ω resistors at both ends. External units can be connected on the CAN bus line in any order, but keeping line arrangement (no tails, no star) is necessary.



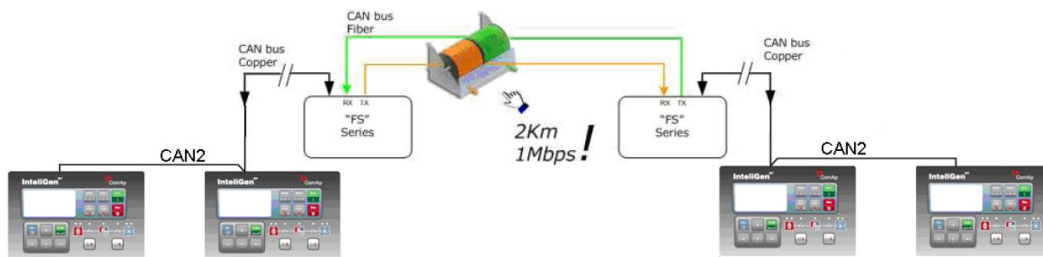
Standard maximum bus length is 200 m for 32C CAN BUS MODE and 900 m for 8C CAN BUS MODE (setpoint in comms settings group).

Shielded cable has to be used, shielding has to be connected to PE on one side (controller side). Recommended data cables: BELDEN (www.belden.com)

- ▶ For shorter distances (up to 50 m): 3105A Paired - EIA Industrial RS485 PLTC/CM (1x2 conductors)
- ▶ For longer distances: 3106A Paired - EIA Industrial RS485 PLTC/CM (1x2+1 conductors)
- ▶ In case of surge hazard: 3106A Paired - EIA Industrial RS485 PLTC/CM (1x2+1 conductors)



6.1.2 CAN / fiber optic converter



- ▶ Extends CAN bus length by 2000 m

Recommended converters

- ▶ ADF Web HD67181FS or HD67181FSX (www.ADFweb.com)
- ▶ www.adfweb.com/home/products/optics_fibres_can_bus_repeater.asp
- ▶ It is simple converter without redundant power supply. It has no alarm contact. Wide Power Supply voltage: 8-19 V AC or 8-35 V DC. DIN mounting. Multimode version only. Number of converters in cascade is limited. Tested 4 optical links (8 converters) in cascade with no problem with communication. However "star" topology is better to use.

Recommended settings

Use converter Baud Rate Setting to 250 k if setpoint Comms setting: CAN bus mode is set to 32C in controllers:



Use converter Baud Rate Setting to 50 k if setpoint Comms setting: CAN bus mode is set to 8C in controllers:



IMPORTANT: This device can extend total CAN bus length by 2000 m (HD67181FSX only) using optical link, but total length of metallic CAN bus must not exceed these values:
200 m if setpoint Comms setting: CAN bus mode is set to 32C in controllers
900 m if setpoint Comms setting: CAN bus mode is set to 8C in controllers

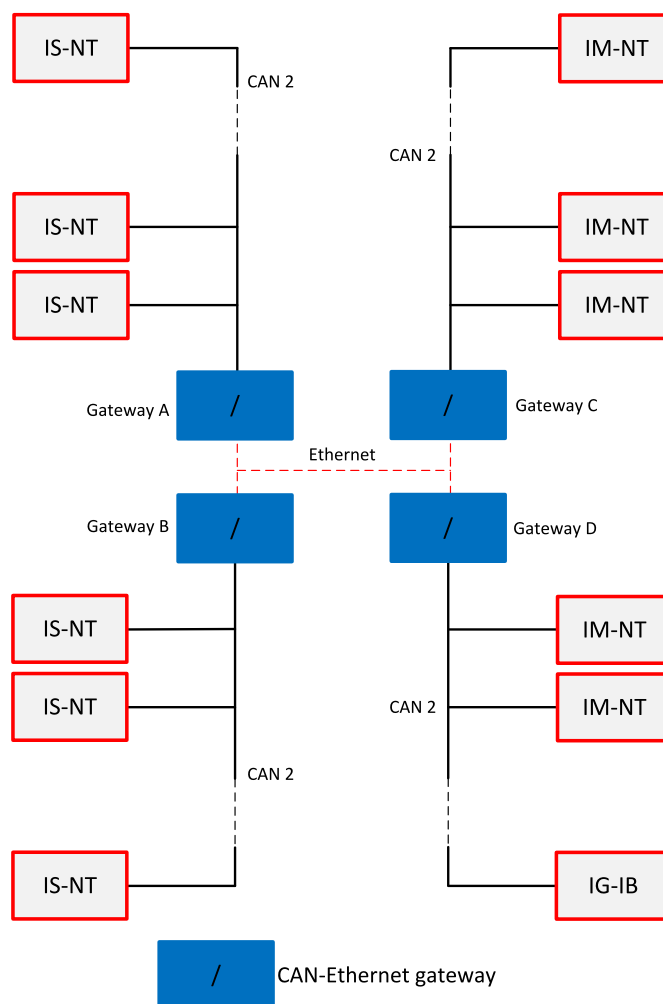
► eks

- www.eks-engel.de/produkte/fiber-optics/interface/dl-can-dl-can-r/
 - DL-CAN/1x13 – Point to point
 - DL-CAN/2x13 – Bus topology without redundancy
 - DL-CANR/2x13 – Redundant link topology
- Industrial converters with dual (redundant) power supply 12-30 V DC. Alarm contacts available. DIN mounting. Available multimode and single mode version.

IMPORTANT: This device can extend total CAN bus length by 100 km between 2 converters (single mode version only) using optical link, but total length of metallic CAN bus must not exceed these values:

200 m if setpoint Comms setting: CAN bus mode is set to 32C in controllers
900 m if setpoint Comms setting: CAN bus mode is set to 8C in controllers

6.1.3 CAN / Ethernet gateway



CAN-Ethernet gateway allows you to merge up to four CAN bus branches into one global CAN bus using Ethernet connection. For detailed information about this option see:

[www.comap-control.com/login?q=%2fsupport%2fknowledge-base%2fas10-ethernet-based-can-extension-r1-\(1\)-pdf&nodeid=3134&class=ComAp.File](http://www.comap-control.com/login?q=%2fsupport%2fknowledge-base%2fas10-ethernet-based-can-extension-r1-(1)-pdf&nodeid=3134&class=ComAp.File)

Note: For CAN bus extension is possible to use I-CR module. It allows extension of CAN to more segments with next 200 m addition length. for more information see **I-CR Module for CAN Bus Extension on page 67.**

6.1.4 RS485 connection

External units can be connected on the RS485 line in any order, but keeping line arrangement (no tails, no star) is necessary.

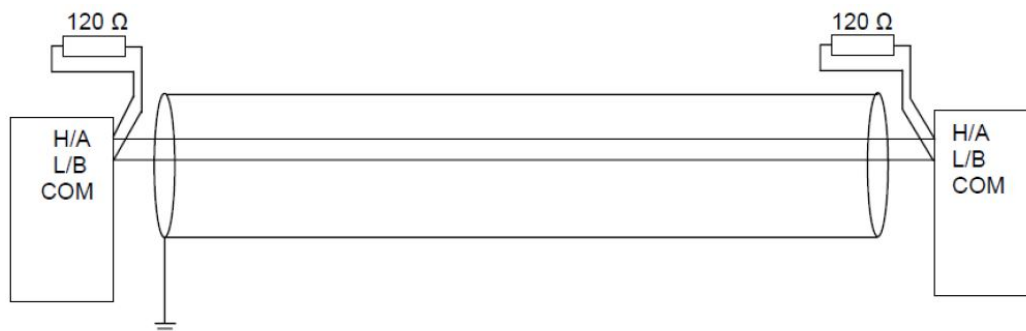
Standard maximum line length is 1000 m.

Shielded cable has to be used, shielding has to be connected to PE on one side (controller side).

RS485 bus line has to be terminated by 120 Ω resistors on the both ends. Always check the number and placement of terminating resistors in the RS485 bus line, only correct wiring ensures reliable operation!

Resistors must be placed at either end of the line (see picture), and correct number of resistors must be used!

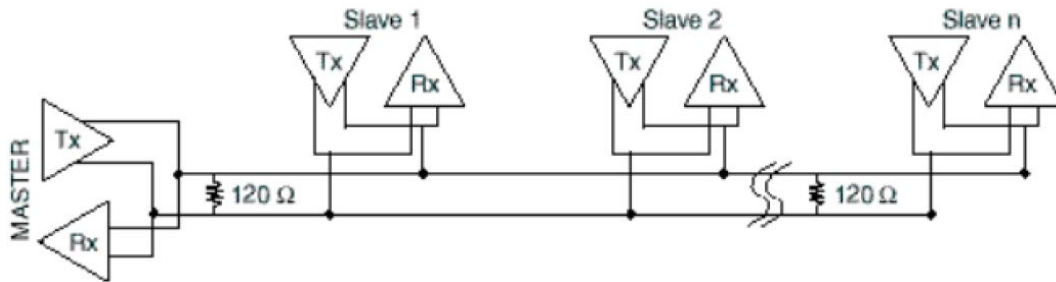
Correct number can be checked using ohmmeter - when power supply for ALL devices on the RS485 bus line is switched off, the resistance measured between A and B wire should be 60 Ω. For longer distances is recommended to connect RS485 COM terminals between all controllers and cable shielding to the ground in one point. External units can be connected on the RS485 bus line in any order, but line arrangement (no tails no star) is necessary.



Availability of embedded galvanic separation of RS485 port in ComAp products	
All IntelliGen controllers - port RS485(1)	NO
All IntelliSys controllers - port RS485(1)	NO
All IntelliGen controllers - port RS485(2)	YES
All IntelliSys controllers - port RS485(2)	YES
IG-Display, IS-Display - port RS485	YES
InteliVision 8 - port RS485, CAN	YES
InteliVision 5 - port RS485	NO
InteliVision 5 RD - port RS485	YES
InteliVision 5 CAN - port CAN	YES
InteliVision 12Touch - port RS485, CAN	YES

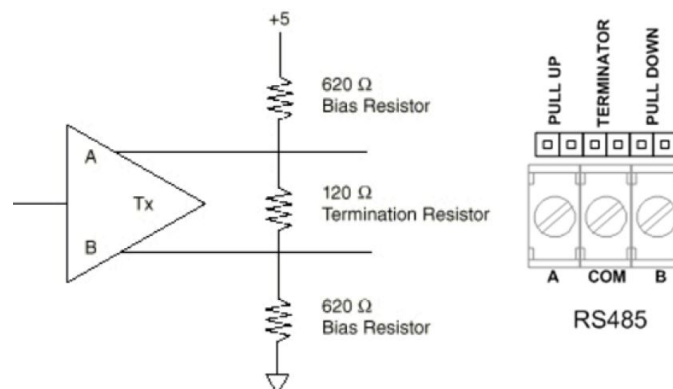
6.1.5 Termination Resistors

Because each differential pair of wires is a transmission line, you must properly terminate the line to prevent reflections. A common method of terminating a two-wire multidrop RS485 network is to install terminating resistors at each end of the multidrop network. If you daisy-chained multiple instruments together, you need a terminating resistor at only the first and last instruments. The terminating resistor should match the characteristic impedance of the transmission line (typically 100-120 Ω).



6.1.6 Bias Resistors

The transmission line into the RS485 port enters an indeterminate state when it is not being transmitted to. This indeterminate state can cause the receivers to receive invalid data bits from the noise picked up on the cable. To prevent these data bits, you should force the transmission line into a known state. By installing two 620 Ω bias resistors at one node on the transmission line, you can create a voltage divider that forces the voltage between the differential pair to be less than 200 mV, the threshold for the receiver. You should install these resistors on only one node. The figure below shows a transmission line using bias resistors. Bias resistors are placed directly on the PCB of controller. Use jumpers PULL UP / PULL DOWN to connect the bias resistors.



[back to Connection](#)

7 Communication

7.1 Communication cables	83
7.2 SMS Message command	86
7.3 Modbus Communication	91
7.4 Examples of Modbus Communication	94
7.5 Reserved communication objects	112
7.6 Replacing InternetBridge-NT	114

🔍 [back to Table of contents](#)

7.1 Communication cables

Recommended communication cables for ComAp controllers				
Interface	Cable	Connector	Max. Length	Max. Comm. Rate
RS232	Serial cross-wired cable standard Null-modem cable	DB 9	10 m	57.6 kBd
		DB 9	10 m	
RS485	Shield twisted pair ¹	NONE	1000 m	57.6 kBd
Ethernet	STP or UTP cable	RJ45	100 m	10/100 Mbps
USB	Standard USB A-B cable	USB A-USB B	5 m	115200 Bd
CAN	Shield twisted pair ²	NONE	200/900 m*	250/50 kBd*

*Values 200 m and 250 kBd are for 32 controllers

*Values 900 m and 50 kBd are for 8 controllers

7.1.1 RS485 cable

- ▶ For longer distances: 3106A Paired - EIA Industrial RS485 PLTC/CM (1x2+1 conductors) Recommended data cables: BELDEN (www.belden.com)
- ▶ For shorter distances (up to 50 m): 3105A Paired - EIA Industrial RS485 PLTC/CM (1x2 conductors)

7.1.2 CAN bus cable

Galvanically separated

Maximal CAN bus length 200 m Speed 250 kBd

Nominal impedance 120 Ω

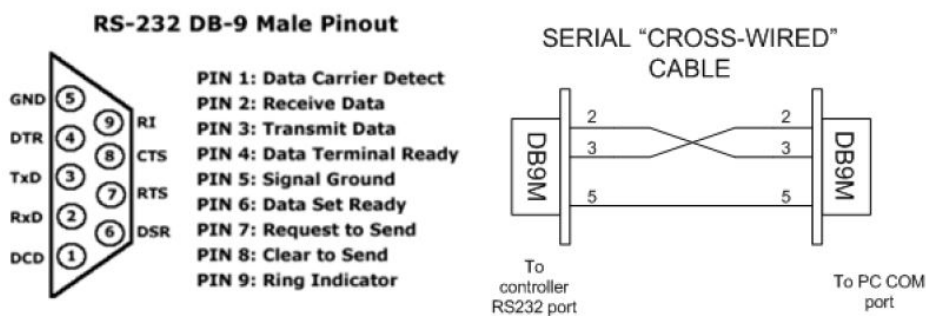
Cable type twisted pair (shielded)

Following dynamic cable parameters are important especially for maximal 200 meters CAN bus length and 32 iS-COM units connected:

- ▶ Nominal Velocity of Propagation min. 75 % (max. 4.4 ns/m)
- ▶ Recommended data cables: BELDEN (www.belden.com)
 - For shorter distances (up to 50 m): 3105A Paired - EIA Industrial RS485 PLTC/CM (1x2 conductors)
 - For longer distances: 3106A Paired - EIA Industrial RS485 PLTC/CM (1x2+1 conductors)

7.1.3 RS232 cable

It is recommended to use standard Null-modem cable for local connection between controller and PC, although the three wires (TxD, RxD, GND) RS232 connection is enough for direct controller to PC communication:



7.1.4 Cables for direct and modem connections

PC to RS232 on controller/I-LB

DB9 Female to DB9 Female	
2	3
3	2
5	5

Modem to RS232 on controller/I-LB

Comms settings: MODEM (HW) or I-LB jumper HW control

DB9 Male to DB9 Female	
1	1
2	2
3	3
4	4
5	5
6	6
7	7
8	8
9	9

Comms settings: MODEM (SW) or I-LB jumper SW control

DB9 Male to DB9 Female	
2	2
3	3
5	5

7.1.5 USB cable

Use standard USB A-B cable (distance up to 5 meters).



IMPORTANT: Use shielded USB cable only! (ComAp order code: USB-LINK CABLE 1.8 m).

Note: To use USB connection it is necessary to install drivers on your PC.

The drivers can be downloaded from the website www.ftdichip.com/Drivers/VCP.htm.

Download the driver for your operating system and follow the enclosed instructions.

After successful installation of the driver and connection of the controller or I-LB+ to the PC the new Virtual Communications Port appears in ComAp PC tools and it is possible to open connection via USB.

7.1.6 Ethernet cable

It is recommended to use standard UTP or STP cable with connectors RJ45. Maximal length of cable is 100 m. For direct connection between Controller and PC is necessary to use cross-wired cable (only in case that your PC does not have automatic recognizing of direct and cross-wired cable).

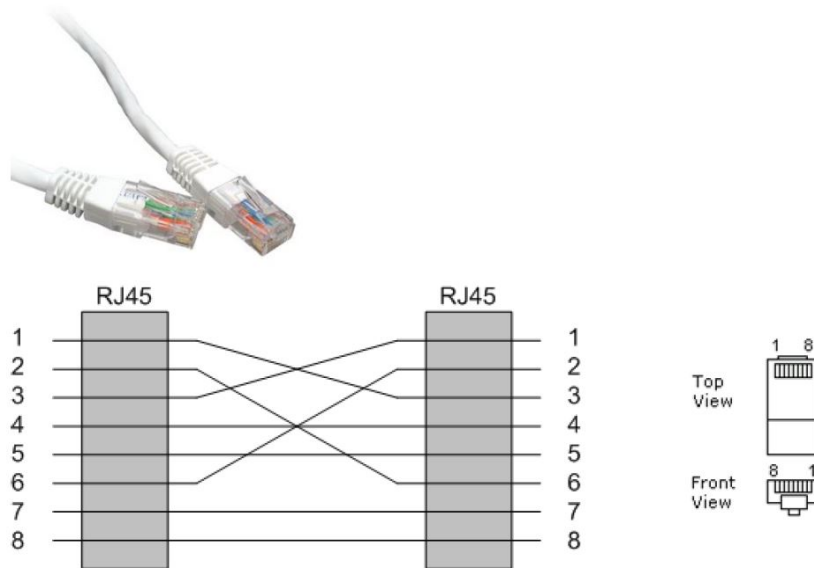


Image 7.1 Cross-wired UTP 10/100 Mbit cable

7.2 SMS Message command

7.2.1 Controller address

InteliGen/InteliSys Access code is 15 characters length string. Access code is separated from controller address by column.

Syntax:	#5:X
	X ... controller access code up to 15 characters length
Example:	#5:accesscode
	Message is addressed to controller with address 5 and its access code is set to value 'accesscode'.

7.2.2 Access code

Controller address is unique controller identification number located in setpoint group **Basic setting** : *Contr addr [1 to 32]*.

Syntax:	#XX
	XX ... controller address [1 to 32]
Example:	#5
	Message is addressed to controller with address 5.

7.2.3 Read value or setpoint

Command for reading of selected value or setpoint. Return value is in appropriate numerical or string format.

Syntax:	r XXXX (or rXXXX)
	r ... command
	XXXX... value or setpoint code
Example:	#5:accesscode r 8252
	Reading of setpoint 8252 (8252 = Gear teeth)

Note: Access code can't contain space character. Access code can be changed in IntelliMonitor only.

7.2.4 Adjust setpoint

Command for adjusting of selected setpoint. Answer message contains only confirmation of successful adjusting or appropriate error.

Syntax:	w XXXX YYYY (or wXXXX YYYY)
	w ... command
	XXXX... setpoint code
	YYYY... value of setpoint in appropriate format
Example:	#5:accesscode w 8252 144
	Adjusting of setpoint 8252 to value 144 (8252 = Gear teeth).
Return code:	ok ... adjusting setpoint was correct
	w_err ... adjusting setpoint was not successful
	er_pass ... adjusting setpoint required that valid password was entered
	er_old ... command for adjusting was read out from SMS during GSM modem initialization – in this case command will not be served.

7.2.5 Enter password

Password setting command. Password has to be set before adjusting of protected setpoint or calling protected gen-set control command. Setting password command is not necessary before every adjusting. Password is a number in range 0 to 65535 and is valid for all rest of SMS.

Syntax:	p PPPP (or pPPPP)
	p ... command
	PPPP... password
Example:	#5:accesscode p 1234, w 8252 144
	Setting password before adjusting protected setpoint.
Return code:	ok ... setting password was successful
	er_pass ... setting password is not valid

7.2.6 Gen-set control

SMS command for invoking gen-set control command as Start, Stop, Fault reset etc.

Syntax:	c Y (or cY)																												
	c ... command																												
	Y ... type of operation																												
	<table border="1"> <thead> <tr> <th>Y</th> <th>Type of operation</th> <th>Y</th> <th>Type of operation</th> </tr> </thead> <tbody> <tr> <td>1</td> <td>Start</td> <td>7</td> <td>MCB ON</td> </tr> <tr> <td>2</td> <td>Stop</td> <td>8</td> <td>MCB OFF</td> </tr> <tr> <td>3</td> <td>Horn Reset</td> <td>9</td> <td>GCB ON/OFF</td> </tr> <tr> <td>4</td> <td>Fault Reset</td> <td>10</td> <td>MCB ON/OFF</td> </tr> <tr> <td>5</td> <td>GCB ON</td> <td>11</td> <td>Next Mode</td> </tr> <tr> <td>6</td> <td>GCB OFF</td> <td>12</td> <td>Previous Mode</td> </tr> </tbody> </table>	Y	Type of operation	Y	Type of operation	1	Start	7	MCB ON	2	Stop	8	MCB OFF	3	Horn Reset	9	GCB ON/OFF	4	Fault Reset	10	MCB ON/OFF	5	GCB ON	11	Next Mode	6	GCB OFF	12	Previous Mode
	Y	Type of operation	Y	Type of operation																									
	1	Start	7	MCB ON																									
	2	Stop	8	MCB OFF																									
	3	Horn Reset	9	GCB ON/OFF																									
4	Fault Reset	10	MCB ON/OFF																										
5	GCB ON	11	Next Mode																										
6	GCB OFF	12	Previous Mode																										
Example:	#5:accesscode p 1234, c1																												
	This SMS command invokes gen-set Start. Password setting is needed in case of password protection was configured for gen-set commands.																												
Return code:	ok ... gen-set command was accepted																												
	er_pass ... valid password was not set before executing the command																												
	c? ... unknown gen-set command																												
	c_er ... gen-set command execution is not allowed in actual state (e.g. attempt to start the gen-set in OFF mode).																												
	er_old ... command was read out from SMS during GSM modem initialization – in this case command will not be served.																												

7.2.7 Read Alarm list

Read actual Alarm list.

Syntax:	a
	a ... command
Example:	#5:accesscode a
	Request of actual Alarm list.
Return code:	AL=(items of alarm list) ... comma separated items of Alarm list. Exclamation mark in front of Alarm list item indicates inverse record (still active alarm).

Note:

1. Answer message contains at most eight items of Alarm list.
2. Alarm list is not separated to more messages.

7.2.8 Time delay

Insert time delay before serving next part of SMS command.

Syntax:	d T
	d ... command T ... time delay in sec (in range 1 to 600)
Example:	#5:accesscode d 10 Request 10 sec delay before serving next SMS command.
	d_ok ... time delay was successful performed d_over ... requested time delay is out of range (1 to 600 sec)

Note: Any other SMS messages are not served during time delay!

7.2.9 Remote switches (IG/IS-NT only)

Set or reset RemoteControl1-8 output.

Syntax:	s 1/0
	s ... command 1/0 ... set/reset
	#5:accesscode p0, s1 1 Enters password p0 and sets RemoteControl1 output.
Return code:	p_OK,s_OK

7.2.10 ExtValues (IG/IS-NT only)

Enters value to ExtValue.

Syntax:	e xxx
	e ... command xxx ... value
	#5 Message is addressed to controller with address 5.
Return code:	?=(p <user:>passwd,r comm_obj,w com_obj val,c cmd_num,d sec,a,sx y,ex y,?)..... list of supported SMS commands

Note: Return code is not separated to more message.

7.2.11 Answer message

Answer message start with # character followed by Gen-set name. Colon separates this header form return codes of SMS commands. Answer message is generated during serving of received message and is sent in case that 160 characters or end of received message are achieved. Answer message is sent to the originator phone number. Three dots at the end of message indicate separation and next following message.

Example:

```
#5:accesscode r8252,w8252 100,r8252
answer message
#Gen-setname: 144,ok,100
```

7.2.12 Examples of SMS commands

Here is following several examples of SMS messages addresses to controller IG/IS-NT with address 5, named 'Gen-set name'. Access code in this controller is set to 'accesscode' and password is '1234'. In examples are used setpoints and values 8276 – Nomin.power, 10123 – RPM, 8315 – Controller Mode, 8235 – binary inputs, 8296 – Gen > f.

Example 1 – reading value

SMS	#5:accesscode r8276	read value 8276
Answer	#Gen-set name:100	

Example 2 – adjusting setpoint

SMS	#5:accesscode p 1234, r8276,w8276 110,r8276	read value 8276, write 110, read value 8276
Answer	#Gen-set name:ok,100,ok,110	Password was accepted, read value of 8276 is 100, writing to 8276 was ok, new value of 8276 is 110
	If wrong password sent: #Gen-set name:p_er,100, w_pass, 100	Password was not accepted, read value of 8276 is 100 writing to 8276 was not successful read value of 8276 is still 100

Example 3 – Gen-set control and delay time

SMS	#5:accesscode r8276,c1,d30,r10123	read value 8276, invoke gen-set command START, delay 30 sec, read value 10123
Answer	#Gen-set name:110,ok,d_ok,1499	read value of 8276 is 110, Gen-set command START was accepted, confirm delay command, read value of 10123 is 1499

Example 4 – adjusting special setpoint

SMS	#5:accesscode r8315,w8315 0,r8315	read value 8315, write 0 (index of stringlist type), read value 8315
Answer	#Gen-set name:MAN,ok,OFF	read value of 8315 as string, writing was ok, read new value of 8315 as string

Note: Setpoints Stringlist type (e.g. Controller Mode) is read as string and adjusted as index of string item in string list. e.g. Controller Mode:

Read value [as string]	Write value [as index]
OFF	0
MAN	1
SEM	2
AUT	3
TEST	4

Example 5 – reading and writing other type

SMS	#5:accesscode r8235,w8296 110.2	read value 8235, write 110.2 with decimal point
Answer	#Gen-set name:OIIIOOIIIO,ok	read value of 8235 (binary value), writing was ok

Note:

1. Writing of binary setpoint is not supported.
2. Writing of setpoint with decimal point is automatically converted to appropriate number of decimal places.

Example 6 – reading actual Alarm list

SMS	#5:accesscode a	read actual Alarm list
Answer	#Gen-set name:AL=(!Wm PrimWater temp, !Wm SecWater temp, Batt volt)	Actual Alarm list contains three items.

7.3 Modbus Communication

Note: It is possible to define your own Modbus register numbers for any value or setpoint in the BaseBox controllers with standard FW v3.0 (IG-NT-BB, IS-NT-BB and IM-NT-BB firmware) and higher. For more information about this function please refer to the chapter *User Modbus* (page 145).

Note: In the first time, you have to correctly configure the controller connection (see *Important setpoints in the controller* on page 130).

7.3.1 Data reading

The function **Read Multiple Registers (page 133)** has to be used for data reading. The terminal sends a query and from the controller receives either the normal response containing the requested data or the exceptional response indicating a read error.

- ▶ It is possible to use function 3 for reading (**see Read Multiple Registers on page 133**).
- ▶ It is not possible to read from the middle. The register number must correspond with the beginning of the data object. The only exception are the objects of "multi-packet values" (registers 46367 – 46491) and „data part of the history record“ (registers 46543 – 46667).
- ▶ All read registers must be implemented. If an unimplemented register appears among the read registers, the controller returns an error message.
- ▶ Even unnamed values can be included among read registers. The read value must be treated as meaningless.
- ▶ The length of a block is 127 registers.

7.3.2 Data writing

All data can be written by the function **Write Multiple Registers (page 139)**. Data up to 2 bytes can be written by the function **Write Single Registers (page 138)**, too. The terminal sends a query containing a written data and the controller either confirms it (normal response) or refuses it (exceptional response).

- ▶ For writing it is possible to use function 6 (**Write Single Registers (page 138)**) or function 16 (**Write Multiple Registers (page 139)**).
- ▶ Using function 16 it is possible to write maximum 16 registers at once.
- ▶ Data cannot be written from the middle. Register number must correspond with the beginning of the data object. Written data must be complete to perform writing of all requested data objects.
- ▶ Writing to EEPROM is executed using a queue. The queue is common for writing from all terminals. The request for next writing is accepted in case that there is empty space in the queue. Otherwise the controller returns an error message and the terminal must repeat the request.
- ▶ All written registers must be implemented. If an unimplemented register appears among the read registers, the controller returns an error message.
- ▶ It is possible to include also unnamed registers in the written sequence. The controller confirms this writing but writing of unnamed registers is not performed.

Request

- ▶ Controller address (1-32), you can set or check your controller's address in the controller setpoints.
Setpoints -> Comms settings -> Contr.address
- ▶ Modbus function code, you can use the 3, 6, 16 Modbus function code
 - Function 3 (Read Multiple Registers)
 - Function 6 (Write Single Register)
 - Command 10
 - Function 16 (Write Multiple Registers)
- ▶ Register address (40001-47168), it means Modbus address of controller communication object (setpoint, value, et al.). You can create list of Modbus registers, if you can't find the register address in this list.
- ▶ Number of registers (1-127). It means, how many registers you want read.
- ▶ CRC (no range)

After sent your request, you receive the response. The response has also five parts:

- ▶ Controller address (1-32), the same as the address in the request
- ▶ Modbus function code (3, 6, 16, ...), mostly the same as in the request
- ▶ Length of data (1-127), here is specified the length of the received data
- ▶ Data (0-FF), data are in the HEX form, length is defined above
- ▶ **Check field calculation (page 144)** (no range)

Note: The setpoints in IG-NT are placed in EEPROM which has maximum 500 000 of rewrites. Please consider how fast the setpoints are overwritten. (1 sec writing period, 6 days ~ 500 000 rewrites). IS-NTC-BB using memory with maximum of 500 000 000 rewrites.

7.4 Examples of Modbus Communication

In this chapter are some examples, how does communicate controller via Modbus.

7.4.1 Battery voltage – reading (read multiple registers)	95
7.4.2 Values (Oil press, Water temp, Fuel level) – reading	97
7.4.3 Binary input – reading	98
7.4.4 Password decode – reading	98
7.4.5 Gen-set name – reading	99
7.4.6 Engine state – reading	100
7.4.7 Gear teeth – writing	101
7.4.8 Nominal Power – writing	101
7.4.9 Mode – writing	102
7.4.10 Reset/Confirm Alarm	103
7.4.11 Remote Switch 1-8 – Set (Remote Control 1-8)	104
7.4.12 External Value1 – writing	105
7.4.13 User & Password – in two steps	106
7.4.14 User & Password – in one step	107
7.4.15 Start the engine – in one step	107
7.4.16 Start the engine – in two steps	108
7.4.17 History – reading	108
7.4.18 AlarmList reading	110
7.4.19 Change the communication language (only String type data)	111


7.4.1 Battery voltage – reading (read multiple registers)

Request: 01 03 00 0C 00 01 44 09																																																													
01	= Controller address ▶ See your controller settings																																																												
03	= Modbus function code (Read Multiple Registers)																																																												
00 0C	= Register address: Register number (Ubat => 40013) ▶ 40013 - 40001 = 12 DEC => 000C HEX ▶ See your Cfg Image or list of Reserved communication objects (page 112)																																																												
<p>A part of Cfg Image (Modbus Register ...)</p> <table border="1"> <thead> <tr> <th>Register (s)</th> <th>Com. Obj.</th> <th>Name</th> <th>Dim</th> <th>Type</th> <th>Len</th> <th>Dec</th> <th>Min</th> <th>Max</th> <th>Group</th> </tr> </thead> <tbody> <tr> <td>40012</td> <td>8239</td> <td>BOUT</td> <td></td> <td>Binary#2</td> <td>2</td> <td>-</td> <td>-</td> <td>-</td> <td>Bin outputs CU</td> </tr> <tr> <td>40013</td> <td>8213</td> <td>Ubat</td> <td>V</td> <td>Integer</td> <td>2</td> <td>1</td> <td>0</td> <td>360</td> <td>Analog CU</td> </tr> <tr> <td>40014</td> <td>10124</td> <td>CPU temp</td> <td>°C</td> <td>Integer</td> <td>2</td> <td>1</td> <td>-200</td> <td>800</td> <td>Analog CU</td> </tr> <tr> <td>40015</td> <td>10603</td> <td>Dplus</td> <td>V</td> <td>Integer</td> <td>2</td> <td>1</td> <td>0</td> <td>360</td> <td>Analog CU</td> </tr> <tr> <td>40016</td> <td>8155</td> <td>CP1 status</td> <td>Bool</td> <td>Boolean</td> <td>2</td> <td>1</td> <td>0</td> <td>100</td> <td>Analog CU</td> </tr> </tbody> </table>		Register (s)	Com. Obj.	Name	Dim	Type	Len	Dec	Min	Max	Group	40012	8239	BOUT		Binary#2	2	-	-	-	Bin outputs CU	40013	8213	Ubat	V	Integer	2	1	0	360	Analog CU	40014	10124	CPU temp	°C	Integer	2	1	-200	800	Analog CU	40015	10603	Dplus	V	Integer	2	1	0	360	Analog CU	40016	8155	CP1 status	Bool	Boolean	2	1	0	100	Analog CU
Register (s)	Com. Obj.	Name	Dim	Type	Len	Dec	Min	Max	Group																																																				
40012	8239	BOUT		Binary#2	2	-	-	-	Bin outputs CU																																																				
40013	8213	Ubat	V	Integer	2	1	0	360	Analog CU																																																				
40014	10124	CPU temp	°C	Integer	2	1	-200	800	Analog CU																																																				
40015	10603	Dplus	V	Integer	2	1	0	360	Analog CU																																																				
40016	8155	CP1 status	Bool	Boolean	2	1	0	100	Analog CU																																																				
00 01	= Number of registers ▶ 40013, it is one register = 01 DEC => 0001 HEX ▶ You have to calculate number of register which you want read																																																												
09 44	= CRC ▶ CRC has to be written LSB then MSB ! See how to calculate Check field calculation (page 144) .																																																												
Response: 01 03 02 00 DC B9 DD																																																													
01	= Controller address ▶ See your controller settings																																																												
03	= Modbus function code (Read Multiple Registers (page 133))																																																												
02	= Length of read data in Bytes (in HEX) ▶ 02 HEX => 2 DEC ▶ Define the length of data																																																												

00 DC	<p>= Value of battery voltage</p> <ul style="list-style-type: none"> ▶ DC HEX => 220 DEC => Batt. voltage is represented with 1 decimal => 22.0 VDC ▶ convert the data from hex to dec. Use the multiplication factor (In this case 0.1)!
DD B9	<p>= Check field calculation (page 144)</p> <ul style="list-style-type: none"> ▶ Check with your CRC, because of data validity

A part of Cfg Image (Modbus Register ...)

Register(s)	Com. Obj.	Name	Dim	Type	Len	Dec	Min	Max	Group
40012	8239	BOUT		Binary#2	2	-	-	-	Bin outputs CU
40013	8213	Ubat	V	Integer	2	1	0	360	Analog CU
40014	10124	CPU temp	°C	Integer	2	1	-200	800	Analog CU
40015	10603	Dplus	V	Integer	2	1	0	360	Analog CU
40016	8155



7.4.2 Values (Oil press, Water temp, Fuel level) – reading

Request: 01 03 00 0F 00 03 35 C8																																																			
01	= Controller address																																																		
03	= Modbus function code (Read Multiple Registers (page 133))																																																		
00 0F	= Register address: Register number (40016) – 40001 = 15 DEC => 0F HEX																																																		
00 03	= Number of registers (40016 – Oil press, 40017 – Water temp, 40018 – Fuel level) = 3 DEC => 03 HEX																																																		
C8 35	= CRC (write LSB MSB !)																																																		
<p>A part of Cfg Image (Modbus Register ...)</p> <table border="1"> <thead> <tr> <th>Register (s)</th> <th>Com. Obj.</th> <th>Name</th> <th>Dim</th> <th>Type</th> <th>Len</th> <th>Dec</th> <th>Min</th> <th>Max</th> <th>Group</th> </tr> </thead> <tbody> <tr> <td>40015</td> <td>10603</td> <td>Dplus</td> <td>V</td> <td>Integer</td> <td>2</td> <td>1</td> <td>0</td> <td>360</td> <td>Analog CU</td> </tr> <tr> <td>40016</td> <td>9155</td> <td>Oil press</td> <td>Bar</td> <td>Integer</td> <td>2</td> <td>1</td> <td>0</td> <td>100</td> <td>Analog CU</td> </tr> <tr> <td>40017</td> <td>9156</td> <td>Water temp</td> <td>°C</td> <td>Integer</td> <td>2</td> <td>0</td> <td>0</td> <td>150</td> <td>Analog CU</td> </tr> <tr> <td>40018</td> <td>9157</td> <td>Fuel level</td> <td>%</td> <td>Integer</td> <td>2</td> <td>0</td> <td>0</td> <td>100</td> <td>Analog CU</td> </tr> </tbody> </table>		Register (s)	Com. Obj.	Name	Dim	Type	Len	Dec	Min	Max	Group	40015	10603	Dplus	V	Integer	2	1	0	360	Analog CU	40016	9155	Oil press	Bar	Integer	2	1	0	100	Analog CU	40017	9156	Water temp	°C	Integer	2	0	0	150	Analog CU	40018	9157	Fuel level	%	Integer	2	0	0	100	Analog CU
Register (s)	Com. Obj.	Name	Dim	Type	Len	Dec	Min	Max	Group																																										
40015	10603	Dplus	V	Integer	2	1	0	360	Analog CU																																										
40016	9155	Oil press	Bar	Integer	2	1	0	100	Analog CU																																										
40017	9156	Water temp	°C	Integer	2	0	0	150	Analog CU																																										
40018	9157	Fuel level	%	Integer	2	0	0	100	Analog CU																																										
Response: 01 03 06 00 27 00 2E 00 2B 35 64																																																			
01	= Controller address																																																		
03	= Modbus function code (Read Multiple Registers (page 133))																																																		
06	= Length of read data in Bytes (in HEX)																																																		
00 27	= 27 HEX => 39 DEC => 3.9 Bar (Oil pressure is represented with 1 decimal in Bars)																																																		
00 2E	= 2E HEX => 46 DEC => 46 °C (Water temperature is represented with 0 decimals in °C)																																																		
00 2B	= 2B HEX => 43 DEC => 43 % (Fuel level is represented with 0 decimals in %)																																																		
64 35	= Check field calculation (page 144)																																																		

7.4.3 Binary input – reading

Request: 01 03 00 02 00 01 25 CA																																	
01	= Controller address																																
03	= Modbus function code (Read Multiple Registers (page 133))																																
00 02	= Register address: Register number (40003) – 40001 = 02 DEC => 02 HEX																																
00 01	= Number of registers (40003) = 01 DEC => 01 HEX																																
CA 25	= Check field calculation (page 144) (write LSB MSB !)																																
Response: 01 03 02 00 0A 38 43																																	
01	= Controller address																																
03	= Modbus function code (Read Multiple Registers (page 133))																																
02	= Length of read data in Bytes (in HEX)																																
00 0A	= Object data value (Binary input = 0000000000001010 i.e. BI2 and BI4 are set)*																																
43 38	= Check field calculation (page 144)																																
<p>* Table of binary inputs (BI)</p> <table border="1"> <thead> <tr> <th>BI16</th> <th>BI15</th> <th>BI14</th> <th>BI13</th> <th>BI12</th> <th>BI11</th> <th>BI10</th> <th>BI9</th> <th>BI8</th> <th>BI7</th> <th>BI6</th> <th>BI5</th> <th>BI4</th> <th>BI3</th> <th>BI2</th> <th>BI1</th> </tr> </thead> <tbody> <tr> <td>0</td> <td>0</td> <td>0</td> <td>0</td> <td>0</td> <td>0</td> <td>0</td> <td>0</td> <td>0</td> <td>0</td> <td>0</td> <td>0</td> <td>1</td> <td>0</td> <td>1</td> <td>0</td> </tr> </tbody> </table>		BI16	BI15	BI14	BI13	BI12	BI11	BI10	BI9	BI8	BI7	BI6	BI5	BI4	BI3	BI2	BI1	0	0	0	0	0	0	0	0	0	0	0	0	1	0	1	0
BI16	BI15	BI14	BI13	BI12	BI11	BI10	BI9	BI8	BI7	BI6	BI5	BI4	BI3	BI2	BI1																		
0	0	0	0	0	0	0	0	0	0	0	0	1	0	1	0																		

7.4.4 Password decode – reading

Request: 01 03 00 A0 00 02 C4 29	
01	= Controller address
03	= Modbus function code (Read Multiple Registers (page 133))
00 A0	= Register address: Register number (40161) – 40001 = 160 DEC => A0 HEX
00 02	= Number of registers (40161 and 40162) = 02 DEC => 02 HEX
29 C4	= Check field calculation (page 144) (write LSB MSB !)
Response: 01 03 04 68 73 90 00 7B 88	
01	= Controller address
03	= Modbus function code (Read Multiple Registers (page 133))
04	= Length of read data in Bytes (in HEX)
68 73 90 00	= 68739000 HEX => 1752403968 DEC = > password decode is 1752403968
88 7B	= Check field calculation (page 144)

7.4.5 Gen-set name – reading

Request: 01 03 0B B8 00 08 C6 0D	
01	= Controller address
03	= Modbus function code (Read Multiple Registers (page 133))
0B B8	= Register address: Register number (43001) – 40001 = 3000 DEC => BB8 HEX
00 08	= Number of registers (43001 - 43008) = 08 DEC => 08 HEX
0D C6	= Check field calculation (page 144) (write LSB MSB !)
Response: 01 03 10 49 47 53 2D 4E 54 00 00 00 00 00 00 00 00 00 00 00 D7 6A	
01	= Controller address
03	= Modbus function code (Read Multiple Registers (page 133))
10	= Length of read data in Bytes (in HEX)
49 47	= Object data value (IG)
53 2D	= Object data value (S-)
4E 54	= Object data value (NT)
00 00	= Object data value (_)
00 00	= Object data value (_)
00 00	= Object data value (_)
00 00	= Object data value (_)
00 00	= Object data value (_) => Gen-set name is IGS -NT
6A D7	= Check field calculation (page 144)

7.4.6 Engine state – reading

Request: 01 03 00 A2 00 01 25 E8	
01	= Controller address
03	= Modbus function code (Read Multiple Registers (page 133))
00 A2	= Register address: Register number (40163) – 40001 = 162 DEC => A2 HEX
00 01	= Number of registers (40163)
E8 25	= Check field calculation (page 144) (write LSB MSB !)
Response: 01 03 02 00 02 39 85	
01	= Controller address
03	= Modbus function code (Read Multiple Registers (page 133))
02	= Length of read data in Bytes (in HEX)
00 02	= Object data value – see the List#1 in the Cfg Image => (NotReady)
85 39	= Check field calculation (page 144)

A part of Cfg Image (Modbus Register ...)

Register(s)	Com. Obj.	Name	Dim	Type	Len	Dec	Min	Max	Group
40001	8505	(N/A)							
40163	9244	Engine State	List#1		1	-	429	449	Info
43025	8252	Gear teeth	Unsigned		2	0	0	500	Basic settings
43026	8253	Nominal RPM	RPM	Unsigned	2	0	100	4000	Basic settings
43027	8315	ControllerMode	List#3		1	-	359	363	Basic settings


```

-----
List#1
value Name
-----
 0 Init
 1 Ready
 2 NotReady
 3 Prestart
 4 Cranking
 5 Pause
    
```


7.4.7 Gear teeth – writing

Request: 01 06 0B D0 00 7D 4A 36	
01	= Controller address
06	= Modbus function code (Write Single Registers (page 138))
0B D0	= Register address: Register number (43025) – 40001 = 3024 DEC => BD0 HEX
00 7D	= Gear teeth > 125 DEC => 7D HEX
36 4A	= Check field calculation (page 144) (write LSB MSB !)
Response: 01 06 0B D0 00 7D 4A 36	
01	= Controller address
06	= Modbus function code (Write Single Registers (page 138))
0B D0	= Register address
00 7D	= Set the setpoint gear teeth to > 7D HEC => 125 DEC = 125
36 A4	= Check field calculation (page 144)

7.4.8 Nominal Power – writing

Request: 01 06 0B C0 01 F4 8B C5	
01	= Controller address
06	= Modbus function code (Write Single Registers (page 138))
0B C0	= Register address: Register number (43009) – 40001 = 3008 DEC => BC0 HEX
01 F4	= Nominal power > 500 DEC => 1F4 HEC
C5 8B	= Check field calculation (page 144) (write LSB MSB !)
Response: 01 06 0B C0 01 F4 8B C5	
01	= Controller address
06	= Modbus function code (Write Single Registers (page 138))
0B C0	= Register address
01 F4	= Set the setpoint nominal power to > 1F4 HEC => 500 DEC = 500
C5 8B	= Check field calculation (page 144)

7.4.9 Mode – writing

Request: 01 06 0B D2 00 03 6B D6											
01	= Controller address										
06	= Modbus function code (Write Single Registers (page 138))										
0B D2	= Register address: Register number (43027) – 40001 = 3026 DEC => BD2 HEX										
00 03	= Set the controller mode to > TEST => 03 – see the List#3 in the Cfg Image										
D6 6B	= Check field calculation (page 144) (write LSB MSB !)										
<p>List#3</p> <table> <thead> <tr> <th>Value</th> <th>Name</th> </tr> </thead> <tbody> <tr> <td>0</td> <td>OFF</td> </tr> <tr> <td>1</td> <td>MAN</td> </tr> <tr> <td>2</td> <td>AUT</td> </tr> <tr> <td>3</td> <td>TEST</td> </tr> </tbody> </table>		Value	Name	0	OFF	1	MAN	2	AUT	3	TEST
Value	Name										
0	OFF										
1	MAN										
2	AUT										
3	TEST										
Response: 01 06 0B D2 00 03 6B D6											
01	= Controller address										
06	= Modbus function code (Write Single Registers (page 138))										
0B D2	= Register address										
00 03	= Object data value > TEST										
D6 6B	= Check field calculation (page 144)										

7.4.10 Reset/Confirm Alarm

Request: 01 10 18 D6 00 03 06 08 F7 00 00 00 01 49 CB	
01	= controller address
10	= Modbus command
18D6	= Register address: Object for engine commands (46359) – 40001 = 6358 DEC => 18D6 HEX
00 03	= number of Modbus registers
06	= data length in bytes (08F70000+0001)
08F70000	= argument for Fault reset (Commands for IGS-NT and IntelliSys Gas (page 73))
0001	= command number (Commands for IGS-NT and IntelliSys Gas (page 73))
CB 49	= Check field calculation (page 144) (write LSB MSB !)

A part of dedicated communication objects table

Registers (*)	Register addresses (*)	Number of registers	Access	Data type	Meaning
46359 – 46360	6358 – 6359	2	read/write	Unsigned32	For writing: command argument For reading: command release value (# 3)
46361	6360	1	write	Unsigned16	Command (# 3)

A part of list of commands

Command	Meaning	Argument (*)	Return value (*)	Meaning
1	Engine start	01FE0000	000001FF	OK
	Engine stop	02FD0000	000002FE	Argument has not been written
	Horn reset	4FB0000	000004FC	OK
	Fault reset	08F70000	000008F8	OK
	ECU Fault reset	10EF0000	000010F0	OK
	other	other	1	Wrong argument

Response: **01,10,18,D6,00,03,67,50**

01	= Controller address
10	= Modbus command
18 D6	= Register address
00 03	= Release value, number of written Modbus registers
50 67	= Check field calculation (page 144)

7.4.11 Remote Switch 1-8 – Set (Remote Control 1-8)

Request: 01 10 18 D6 00 03 06 00 20 00 00 00 1A 7C 9A								
01	= controller address							
10	= Modbus command							
18 D6	= Register address: Object for engine commands (46359) – 40001 = 6358 DEC => 18D6 HEX							
00 03	= number of Modbus registers							
06	= data length in bytes (08F70000+001A)							
00200000	= argument for RemoteSwitch1-8 (Commands for IGS-NT and IntelliSys Gas (page 73))							
001A	= command number (Commands for IGS-NT and IntelliSys Gas (page 73)), command = 26 DEC = 001A HEX							
9A 7C	= CRC (write LSB MSB !)							
Response: 01 10 18 D6 00 03 67 50								
01	= Controller address							
10	= Modbus command							
18 D6	= Register address							
00 03	= Release value, number of written Modbus registers							
50 67	= Check field calculation (page 144)							
Request: 01 10 18 D6 00 03 06 00 10 00 00 00 1A 3C E9 – Remote Switch 1 – Off Request: 01 10 18 D6 00 03 06 00 20 00 01 00 1A 8C 9A – Remote Switch 2 – Set								
RemoteSwitch	1	2	3	4	5	6	7	8
Set / On	00200000	00200001	00200002	00200003	00200004	00200005	00200006	00200007
Off	00100000	00100001	00100002	00100003	00100004	00100005	00100006	00100007

7.4.12 External Value1 – writing

Request: 01 10 18 D6 00 03 06 00 00 00 24 00 23 7D 44	
01	= controller address
10	= Modbus command
18 D6	= Register address: Object for engine commands (46359) – 40001 = 6358 DEC => 18D6 HEX
00 03	= number of Modbus registers
06	= data length in bytes (00000024+0023)
00000024	= argument for Set ExtValue 1-4 (Commands for IGS-NT and IntelliSys Gas (page 73)) (value 36DEC = 0024HEX)
0023	= command number (Commands for IGS-NT and IntelliSys Gas (page 73)), command = 35 DEC = 0023 HEX
7D 44	= Check field calculation (page 144) (write LSB MSB !)
Response: 01 10 18 D6 00 03 67 50	
01	= Controller address
10	= Modbus command
18 D6	= Register address
00 03	= Release value, number of written Modbusregisters
50 67	= Check field calculation (page 144)

Note: Writing External Value in one step is possible only with direct connection to controller. If communication bridge (IB-NT or I-LB+) is used, it is necessary to write the command and argument in two steps.

7.4.13 User & Password – in two steps

Request: 01 06 18 DA 00 00 AE 91	
01	= controller address
06	= Modbus function code (Write Single Registers (page 138))
18 DA	= Register address: Object for user identification (46363) – 40001 = 6362 DEC => 18DA HEX
00 00	= ID of user; Administrator = 00 => 0000
91 AE	= Check field calculation (page 144) (write LSB MSB !)

A part of dedicated communication objects table

Registers (*)	Register addresses (*)	Number of registers	Access	Data type	Meaning
46361	6360	1	write	Unsigned16	Command (# 3)
46362	6361	1			Reserved (register not implemented)
46363	6362	1	read/write	Unsigned8	User identification number (# 4)
46364	6363	1	write	Unsigned16	Entering of password for writing (# 4)
46365	6364	1			Reserved (register not implemented)
46366 – 46490	6365 – 6489	125	read	Domain	Values multipacket(#8)

Response: **01 06 18 DA 00 00 AE 91**

01	= Controller address
06	= Modbus command
18 DA	= Register address
00 00	= Release value
91 AE	= CRC

Request: **01 06 18 DB 00 00 FF 51**

01	= controller address
06	= Modbus function code (Write Single Registers (page 138))
18 DB	= Register address: Object for entering password (46364) – 40001 = 6363 DEC => 18DB HEX
00 00	= Password = 00 => 0000
51 FF	= Check field calculation (page 144) (write LSB MSB !)

Response: **01 06 18 DB 00 00 FF 51**

01	= Controller address
06	= Modbus command
18 DB	= Register address
00 00	= Release value
51 FF	= Check field calculation (page 144)

Note: Before entering the password for writing it is necessary to define user identification number. It is recommended to enter user identification number and password simultaneously. Entered password stays valid 5 minutes after the last successful writing.

7.4.14 User & Password – in one step

Request: 01 10 18 DA 00 02 04 00 00 00 D4 8C																																											
01	= controller address																																										
10	= Modbus command (Write Multiple Registers (page 139)))																																										
18 DA	= Register address: Object (46363) – 40001 = 6362 DEC => 18DA HEX																																										
00 02	= number of Modbus registers (user & password)																																										
04	= data length in bytes (00 00 00 00)																																										
00 00 00 00	= User identification "00 00" & password "00 00"																																										
8C D4	= Check field calculation (page 144) (write LSB MSB !)																																										
A part of dedicated communication objects table																																											
	<table border="1"> <thead> <tr> <th>Registers (*)</th> <th>Register addresses (*)</th> <th>Number of registers</th> <th>Access</th> <th>Data type</th> <th>Meaning</th> </tr> </thead> <tbody> <tr> <td>46361</td> <td>6360</td> <td>1</td> <td>write</td> <td>Unsigned16</td> <td>Command (# 3)</td> </tr> <tr> <td>46362</td> <td>6361</td> <td>1</td> <td></td> <td></td> <td>Reserved (register not implemented)</td> </tr> <tr> <td>46363</td> <td>6362</td> <td>1</td> <td>read/write</td> <td>Unsigned8</td> <td>User identification number (# 4)</td> </tr> <tr> <td>46364</td> <td>6363</td> <td>1</td> <td>write</td> <td>Unsigned16</td> <td>Entering of password for writing (# 4)</td> </tr> <tr> <td>46365</td> <td>6364</td> <td>1</td> <td></td> <td></td> <td>Reserved (register not implemented)</td> </tr> <tr> <td>46366 – 46490</td> <td>6365 – 6489</td> <td>125</td> <td>read</td> <td>Domain</td> <td>Values multipacket(#8)</td> </tr> </tbody> </table>	Registers (*)	Register addresses (*)	Number of registers	Access	Data type	Meaning	46361	6360	1	write	Unsigned16	Command (# 3)	46362	6361	1			Reserved (register not implemented)	46363	6362	1	read/write	Unsigned8	User identification number (# 4)	46364	6363	1	write	Unsigned16	Entering of password for writing (# 4)	46365	6364	1			Reserved (register not implemented)	46366 – 46490	6365 – 6489	125	read	Domain	Values multipacket(#8)
Registers (*)	Register addresses (*)	Number of registers	Access	Data type	Meaning																																						
46361	6360	1	write	Unsigned16	Command (# 3)																																						
46362	6361	1			Reserved (register not implemented)																																						
46363	6362	1	read/write	Unsigned8	User identification number (# 4)																																						
46364	6363	1	write	Unsigned16	Entering of password for writing (# 4)																																						
46365	6364	1			Reserved (register not implemented)																																						
46366 – 46490	6365 – 6489	125	read	Domain	Values multipacket(#8)																																						
Response: 01,10,18,DA,00,02,66,93																																											
01	= Controller address																																										
10	= Modbus command																																										
18 DA	= Register address																																										
00 02	= number of written Modbus registers																																										
93 66	= Check field calculation (page 144)																																										

7.4.15 Start the engine – in one step

To start the engine it is necessary to enter an appropriate user and his password first to enable commands, if these are protected by level 1-7.

Request: 01 10 18 D6 00 03 06 01 FE 00 00 01 95 53	
01	= controller address
10	= Modbus command (Write Multiple Registers (page 139)))
18 D6	= 6358 object for engine commands (46359) – 40001 = 6358 DEC => 18D6 HEX
0003	= number of Modbus registers
06	= data length in bytes (01FE0000+0001)

01FE0000	= argument for Engine start (Commands for IGS-NT and InteliSys Gas (page 73))
0001	= command number (Commands for IGS-NT and InteliSys Gas (page 73))
53 95	= Check field calculation (page 144) (write LSB MSB !)
Response: 01 10 18 D6 00 03 67 50	
01	= Controller address
10	= Modbus function code (Read Multiple Registers (page 133))
18 D6	= Register address
00 03	= Release value, number of written Modbus registers
50 67	= Check field calculation (page 144)

Note: Starting the engine in one step is possible only with direct connection to controller. If communication bridge (IB-NT or I-LB+) is used, it is necessary to write the command and argument in two steps, please see "Start the engine – in two steps".

7.4.16 Start the engine – in two steps

Request 1: 01 10 18 D6 00 02 04 01 FE 00 00 B4 D5	
01	= Controller address
10	= Modbus function code (Write Multiple Registers (page 139))
18 D6	= Register address for command argument (46359) – 40001 = 6358 DEC => 18D6 HEX
00 02	= Number of registers
04	= Number of bytes that will be written (01FE0000)
01 FE 00 00	= command number (Commands for IGS-NT and InteliSys Gas (page 73))
D5 B4	= Check field calculation (page 144) (write LSB MSB !)
Request 2: 01 06 18 D8 00 01 CE 91	
01	= Controller address
06	= Modbus function code (Write Single Registers (page 138))
18 D8	= Register address for command (46361) – 40001 = 6360 DEC => 18D8 HEX
00 01	= command number (Commands for IGS-NT and InteliSys Gas (page 73))
91 CE	= Check field calculation (page 144)

7.4.17 History – reading

For more information see **History reading on page 144**.

Note: If you use the ModScan32 PC tool, use the script for this issue.

1 of 3 - first the index of history record must be entered:	
Request: 01 06 18 D4 00 00 CF 52	
01	= Controller address

06	= Modbus function code (Write Single Register)
18 D4	= Register address of the history index (46357) – 40001 = 6356 DEC => 18D4 HEX
00 00	= First history record (index = 0)
52 CF	= CRC (write LSB MSB !)

Response: **01 06 18 D4 00 00 CF 52**

A part of dedicated communication objects table

Registers (*)	Register addresses (*)	Number of registers	Access	Data type	Meaning
46354	6353	1	read	Unsigned8	Number of records in the alarm list
46356	6355	1	read	Reserved (register not implemented)	
46357	6356	1	read/write	Integer16	Index of requested history record (# 5)
46493 – 46541	6492 – 6540	50	read	String	Header of the particular history record (# 1)
46543 – 46667	6542 – 6666	125	read	Domain	Data part of the particular history record (# 2)
46668	6667	1	read	Reserved (register not implemented)	
46669 – 46693	6668 – 6692	25	read	String	1. record in alarm list (# 1)
46694 – 46718	6693 – 6717	25	read	String	2. record in alarm list (# 1)
46719 – 46743	6718 – 6742	25	read	String	3. record in alarm list (# 1)

2 of 3 - reading of history record header:

Request: **01 03 19 5C 00 32 03 51**

01	= Controller address
03	= Modbus function code (Read Multiple Registers (page 133))
19 5C	= Register address of history record header (46493) *2 – 40001 = 6492 DEC => 195C HEX
00 32	= Number of registers > 46493 – 46541 => 50 DEC => 32 HEX
51 03	= Check field calculation (page 144) (write LSB MSB !)

Response: **01 03 64 4D 43 42 20 63 6C 6F 73 65 64 20 20 20 20 20 20 20 20 20 20 20 30 33 2F 30 39 2F 32 30 30 38 20 20 31 35 3A 34 34 3A 35 37 2E 39 00 ... 00 00 0E E0**

01	= Controller address
03	= Modbus function code (Read Multiple Registers (page 133))
64	= Length of read data in Bytes (in HEX)
4D .. 39 ...	= Object data value > 1 st record in alarmlist is MCB closed
E0 0E	= Check field calculation (page 144)

3 of 3 - reading of the data part of history record:

Request: **01 03 19 8E 00 7D E2 9C**

01	= Controller address
03	= Modbus function code (Read Multiple Registers (page 133))
19 8E	= Register address of history record header (46543) – 40001 = 6542 DEC => 198E HEX

00 7D	= Number of registers > 46542 – 46667 => 125 DEC => 7D HEX
9C E2	= Check field calculation (page 144) (write LSB MSB !)
Response: 01 03 FA 00 00 00 00 00 00 00 20 00 ... 00 00 F4 01 FD 00 FD 00 FD 00 00 00 00 00 00 00 64 20 00 00 00 00 64 00 D8 00 55 01 00 00 A1 00 7A 00 64 00 0A 00 18 00 00 00 00 ... 00 00 20 3B	
01	= Controller address
03	= Modbus function code (Read Multiple Registers (page 133))
FA	= Length of read data in Bytes (in HEX)
00 .. 00	= Object data value > for reading this data see table 7 History Record in Communication object description (in PC tool -> File -> Generate Cfg Image -> Generate Cfg Image (Comm. Objects ...))
3B 20	= Check field calculation (page 144)

7.4.18 AlarmList reading

For more information see **Alarm list reading on page 140**.

Request: 01 03 1A 0C 00 19 43 B1																																																							
01	= Controller address																																																						
03	= Modbus function code (Read Multiple Registers (page 133))																																																						
1A 0C	= Register address: Register number (46669) – 40001 = 6668 DEC => 1A0C HEX																																																						
00 19	= Number of registers > 46669 – 46693 => 25 DEC => 19 HEX																																																						
B1 43	= Check field calculation (page 144) (write LSB MSB !)																																																						
A part of dedicated communication objects table																																																							
	<table border="1"> <thead> <tr> <th>Registers (*)</th> <th>Register addresses (*)</th> <th>Number of registers</th> <th>Access</th> <th>Data type</th> <th>Meaning</th> </tr> </thead> <tbody> <tr> <td>46354</td> <td>6353</td> <td>1</td> <td>read</td> <td>Unsigned8</td> <td>Number of records in the alarm list</td> </tr> <tr> <td>46357</td> <td>6356</td> <td>1</td> <td>read/write</td> <td>Integer16</td> <td>Index of requested history record (# 5)</td> </tr> <tr> <td>46364</td> <td>6363</td> <td>1</td> <td>write</td> <td>Unsigned16</td> <td>Entering of password for writing (# 4)</td> </tr> <tr> <td>46542</td> <td>6541</td> <td>1</td> <td></td> <td></td> <td>Reserved (register not implemented)</td> </tr> <tr> <td>46668</td> <td>6667</td> <td>1</td> <td></td> <td></td> <td>Reserved (register not implemented)</td> </tr> <tr style="border: 2px solid red;"> <td>46669 – 46693</td> <td>6668 – 6692</td> <td>25</td> <td>read</td> <td>String</td> <td>1. record in alarm list (# 1)</td> </tr> <tr> <td>46694 – 46718</td> <td>6693 – 6717</td> <td>25</td> <td>read</td> <td>String</td> <td>2. record in alarm list (# 1)</td> </tr> <tr> <td>46719 – 46743</td> <td>6718 – 6742</td> <td>25</td> <td>read</td> <td>String</td> <td>3. record in alarm list (# 1)</td> </tr> </tbody> </table>	Registers (*)	Register addresses (*)	Number of registers	Access	Data type	Meaning	46354	6353	1	read	Unsigned8	Number of records in the alarm list	46357	6356	1	read/write	Integer16	Index of requested history record (# 5)	46364	6363	1	write	Unsigned16	Entering of password for writing (# 4)	46542	6541	1			Reserved (register not implemented)	46668	6667	1			Reserved (register not implemented)	46669 – 46693	6668 – 6692	25	read	String	1. record in alarm list (# 1)	46694 – 46718	6693 – 6717	25	read	String	2. record in alarm list (# 1)	46719 – 46743	6718 – 6742	25	read	String	3. record in alarm list (# 1)
Registers (*)	Register addresses (*)	Number of registers	Access	Data type	Meaning																																																		
46354	6353	1	read	Unsigned8	Number of records in the alarm list																																																		
46357	6356	1	read/write	Integer16	Index of requested history record (# 5)																																																		
46364	6363	1	write	Unsigned16	Entering of password for writing (# 4)																																																		
46542	6541	1			Reserved (register not implemented)																																																		
46668	6667	1			Reserved (register not implemented)																																																		
46669 – 46693	6668 – 6692	25	read	String	1. record in alarm list (# 1)																																																		
46694 – 46718	6693 – 6717	25	read	String	2. record in alarm list (# 1)																																																		
46719 – 46743	6718 – 6742	25	read	String	3. record in alarm list (# 1)																																																		
Response: 01 03 32 2A 53 64 20 53 44 20 31 32 ... 00 00 18 F5																																																							
01	= Controller address																																																						
03	= Modbus function code (Read Multiple Registers (page 133))																																																						

32	= Length of read data in Bytes (in HEX)
2A 53	= Object data value (* S)
64 20	= Object data value (d _)
53 44	= Object data value (S D)
20 31	= Object data value (_ 1)
32 00 ...	= Object data value (2) = > 1 st record in alarmlist is *Sd SD 12 (inactive, not accepted)
F5 18	= Check field calculation (page 144)
Response: 01 03 32 21 2A 53 64 20 53 44 20 31 32 00 00 ... 00 00 89 38	
01	= Controller address
03	= Modbus function code (Read Multiple Registers (page 133))
32	= Length of read data in Bytes (in HEX)
21 2A	= Object data value (! *)
53 64	= Object data value (S d)
20 53	= Object data value (_ S)
44 20	= Object data value (D _)
31 32 ...	= Object data value (1 2) = > 1 st record in alarmlist is !*Sd SD 12 (active, not accepted)
38 89	= Check field calculation (page 144)

7.4.19 Change the communication language (only String type data)

Write to the communication object 6350 the index of language to be used.

A part of dedicated communication objects table					
Registers (*)	Register addresses (*)	Number of registers	Access	Data type	Meaning
46349 – 46350	6348 – 6349	2	read/write	Date	Actual date
46351	6350	1	read/write	Unsigned8	Language index selected for displaying of texts specified by data type String (# 7)
46352 – 46353	6351 – 6352	2	read	Domain	Code of the last communication fault See Error list
46354	6353	1	read	Unsigned8	Number of records in the alarm list
46349 – 46350	6348 – 6349	2	read/write	Date	Actual date
46351	6350	1	read/write	Unsigned8	Language index selected for displaying of texts specified by data type String (# 7)

Request: 01 06 18 CE 00 01 2F 55	
01	= Controller address
06	= Modbus function code (Write Single Registers (page 138))
18 CE	= Register address: Register number (46351) – 40001 = 6350 DEC => 18CE HEX
00 01	= Set the language index to > 1
55 2F	= Check field calculation (page 144) (write LSB MSB !)
Response: 01 06 18 CE 00 00 EE 95	

01	= Controller address
06	= Modbus function code (Read Multiple Registers (page 133))
18 VR	= Register address
00 01	= Language index set to > 1
55 2F	= Check field calculation (page 144)

7.5 Reserved communication objects

These objects are always available regardless of the controller software modification:

Registers (*)	Register addresses (*)	Number of registers	Access	Data type	Meaning
46347-46348	6346 – 6347	2	read/write	Time	Actual time
46349-46350	6348 – 6349	2	read/write	Date	Actual date
46351	6350	1	read/write	Unsigned8	Language index selected for displaying of texts specified by data type String (# 7)
46352-46353	6351-6352	2	read	Domain	Code of the last communication fault (see Error list on page 151)
46354	6353	1	read	Unsigned8	Number of records in the alarm list
46355	6354	1	read	Unsigned16	Number of records in history (# 6)
46356	6355	1			Reserved (register not implemented)
46357	6356	1	read/write	Integer16	Index of requested history record (# 5)
46358	6357	1	write	Unsigned16	Remote key
46359-46360	6358-6359	2	read/write	Unsigned32	For writing: command argument For reading: command release value (# 3)
46361	6360	1	write	Unsigned16	Command (# 3)
46362	6361	1			Reserved (register not implemented)
46363	6362	1	read/write	Unsigned8	User identification number (# 4)
46364	6363	1	write	Unsigned16	Entering of password for writing (# 4)
46365	6364	1			Reserved (register not implemented)
46366-46490	6365-6489	125	read	Domain	Values multipacket (#8)
46491	6490	1			Reserved (register not implemented)
46493-46541	6492-6540	50	read	String	Header of the particular history

Registers (*)	Register addresses (*)	Number of registers	Access	Data type	Meaning
					record (# 1)
46542	6541	1			Reserved (register not implemented)
46543-46667	6542-6666	125	read	Domain	Data part of the particular history record (# 2)
46668	6667	1			Reserved (register not implemented)
46669-46693	6668-6692	25	read	String	1. record in alarm list (# 1)
46694-46718	6693-6717	25	read	String	2. record in alarm list (# 1)
46719-46743	6718-6742	25	read	String	3. record in alarm list (# 1)
46744-46768	6743-6767	25	read	String	4. record in alarm list (# 1)
46769-46793	6768-6792	25	read	String	5. record in alarm list (# 1)
46794-46818	6793-6817	25	read	String	6. record in alarm list (# 1)
46819-46843	6818-6842	25	read	String	7. record in alarm list (# 1)
46844-46868	6843-6867	25	read	String	8. record in alarm list (# 1)
46869-46893	6868-6892	25	read	String	9. record in alarm list (# 1)
46894-46918	6893-6917	25	read	String	10. record in alarm list (# 1)
46919-46943	6918-6942	25	read	String	11. record in alarm list (# 1)
46944-46968	6943-6967	25	read	String	12. record in alarm list (# 1)
46969-46993	6968-6992	25	read	String	13. record in alarm list (# 1)
46994-47018	6993-7017	25	read	String	14. record in alarm list (# 1)
47019-47043	7018-7042	25	read	String	15. record in alarm list (# 1)
47044-47068	7043-7067	25	read	String	16. record in alarm list (# 1)
47069-47168	7068-7167	100			Reserved (registers not implemented)

Note:

(*) in DEC

#1

The result of reading of an unused record is an empty string.

#2

The result of reading of an unused record is a domain with zero value.

#3

The appropriate argument must be written before writing of the command code, because immediately after the command code has been written the command is executed. For Modbus-RTU the argument and command code can be written at once, in a multiple registers write using Modbus function 16 (3 registers). As the argument has lower register address than command, the required sequence is maintained. However, for Modbus/TCP the argument and function code must be written separately, the argument first, then the function code. The argument must be written using Modbus function 16 (2 registers) and then the command code using Modbus function 6 or 16 (1 register). In Modbus/TCP It is not allowed to write both argument and command code as one block using function 16. See List of commands and modbus communication examples.

#4

Before entering the password for writing it is necessary to define user identification number. It is recommended to enter user identification number and password simultaneously. Entered password stays valid 5 minutes after the last successful writing.

#5

The latest record has index 0, older record has index -1, next record has index -2, ...

#6

It is possible to read and write only in case that history reading is not locked by another terminal. Second necessary condition is to previously write the index.

#7

Implicitly = 0.

#8

„Values multipacket“ contains values that are currently configured in the history record.

🔍 back to Communication

7.6 Replacing InternetBridge-NT

7.6.1 Sites with "NT" family controllers

The CAN module IntelliBridge-NT was designed to provide ethernet or cellular connectivity for IntelliGen NT, IntelliSys NT, IntelliSys Gas controllers and it's derivatives. The typical topology of IntelliBridge-NT connection was as follows:

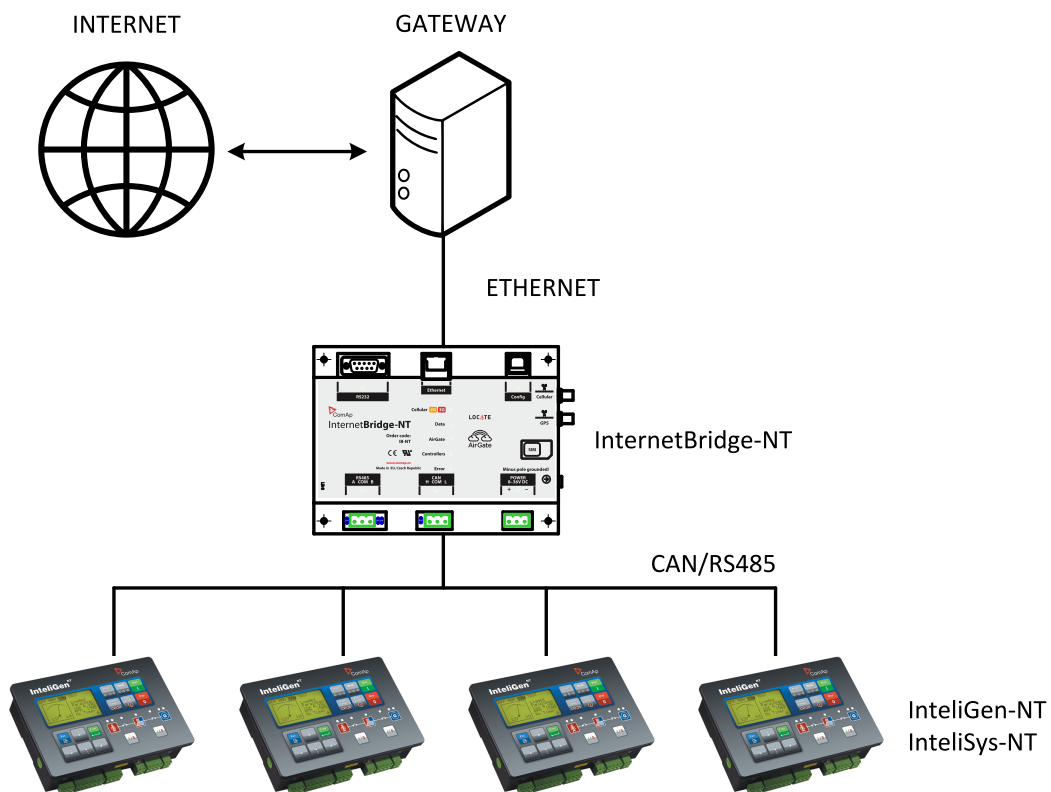


Image 7.2 InteliBridge-NT, wired internet connection

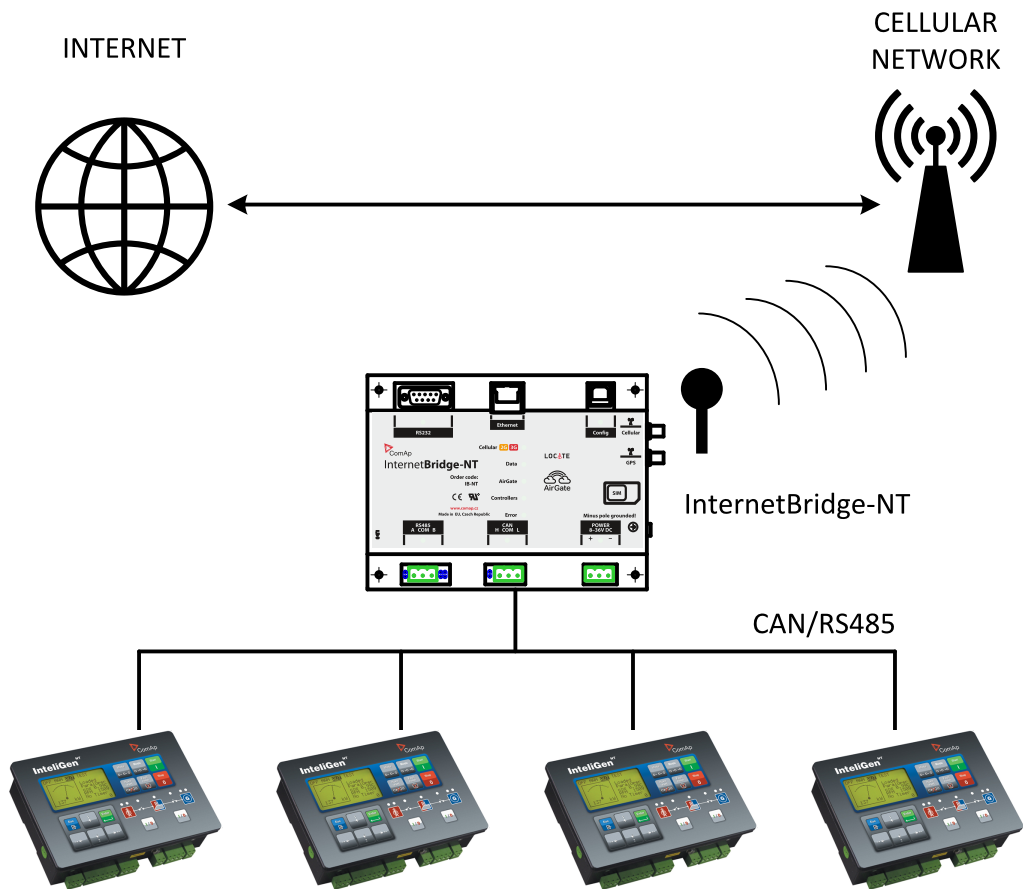


Image 7.3 InteliBridge-NT, cellular internet connection

7.6.2 Sites with new controller families

In the new controller product families the connectivity is based primarily on ethernet - a modern, fast and reliable communication technology. The communication interface has been **moved inside the controllers**, either as built-in or as plug-in modules. Thus, there is no need of external CAN module to provide the connectivity. The topology has changed as described at following pictures.

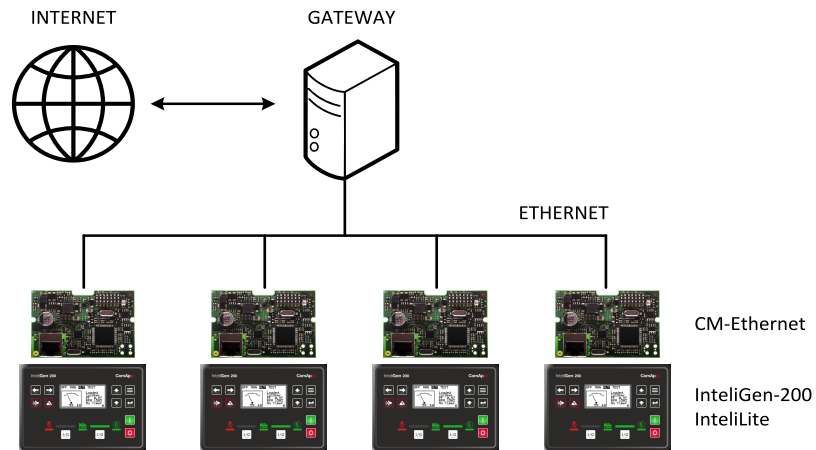


Image 7.4 IntelliGen 200, wired internet connection

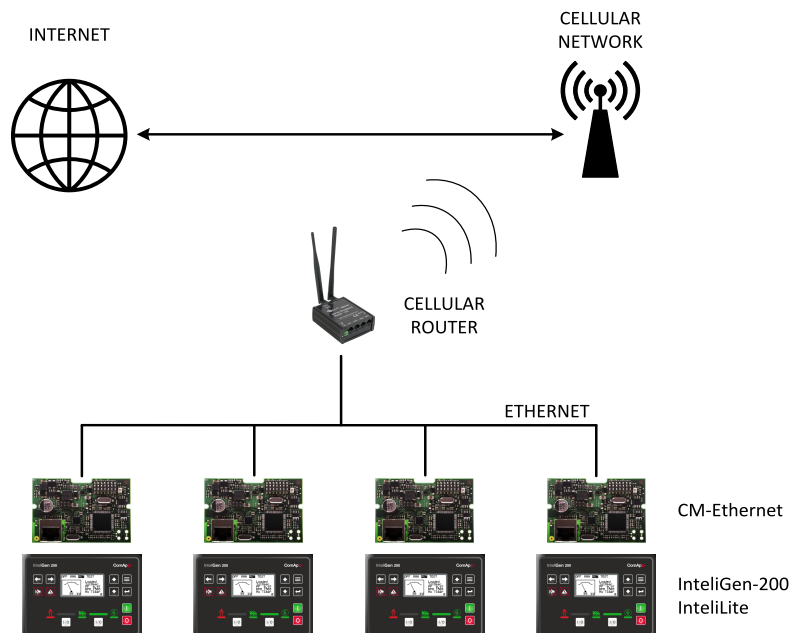


Image 7.5 IntelliGen 200, cellular internet connection via cellular router

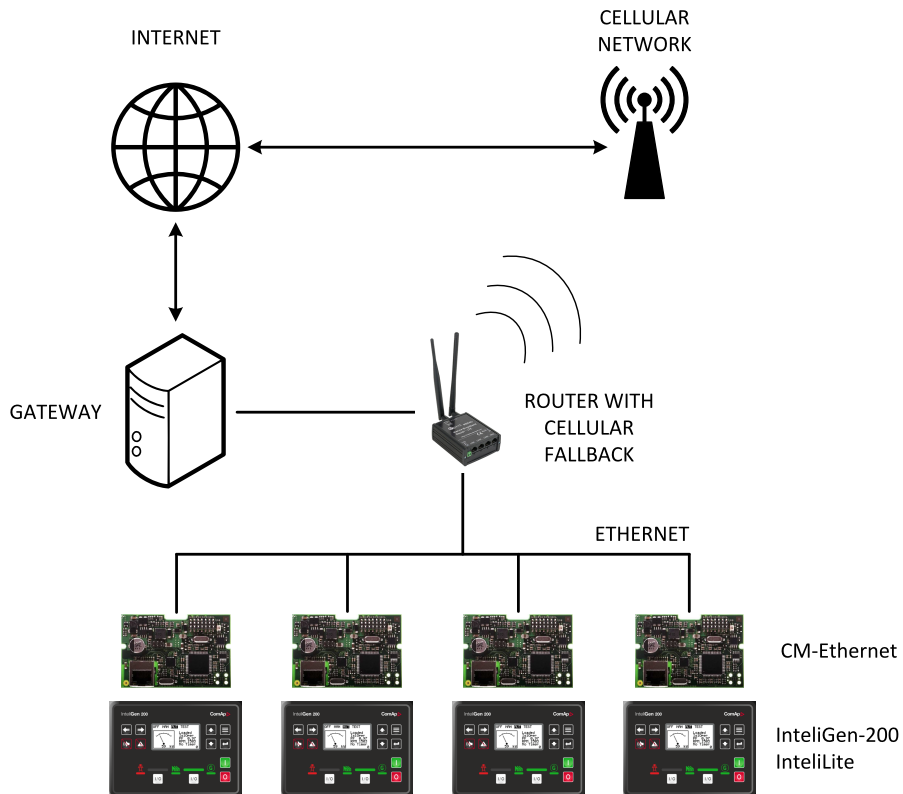


Image 7.6 IntelGen 200, wired internet connection with cellular fallback

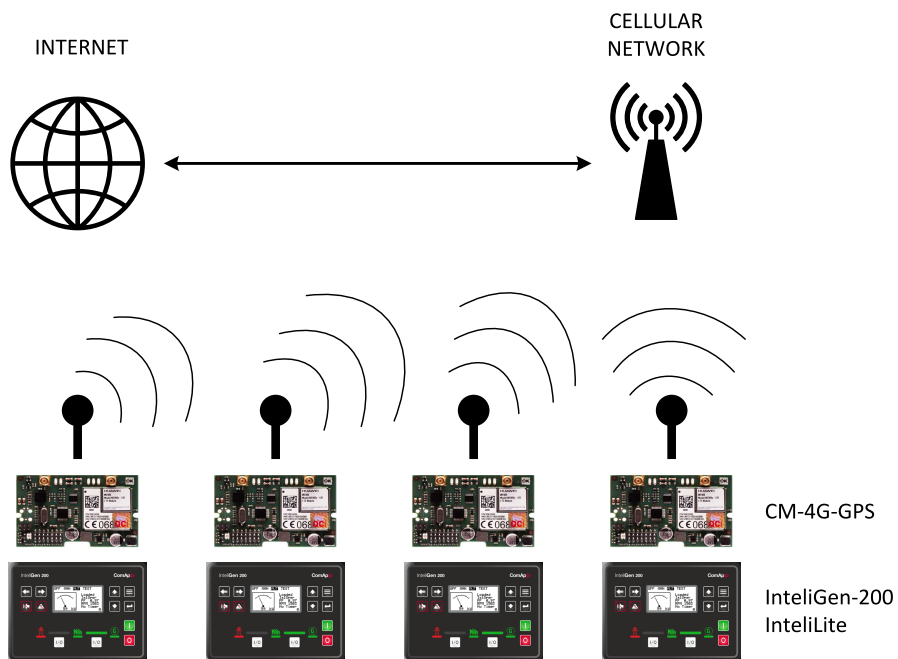


Image 7.7 IntelGen 200, cellular internet connection via separate cellular modules

7.6.3 Combined sites

There might be also sites where the "NT" controllers are used together with newly installed controllers from the new product families. In such a case the topology respects the different connectivity:

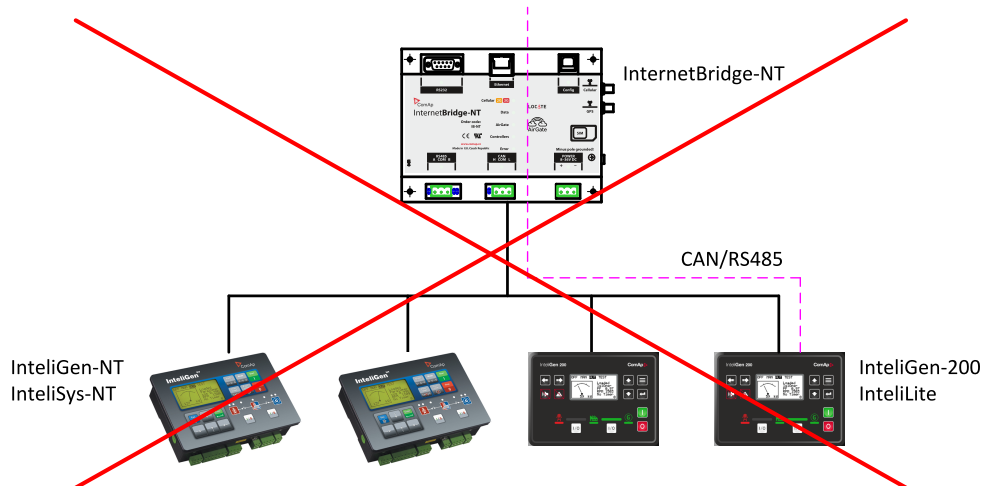
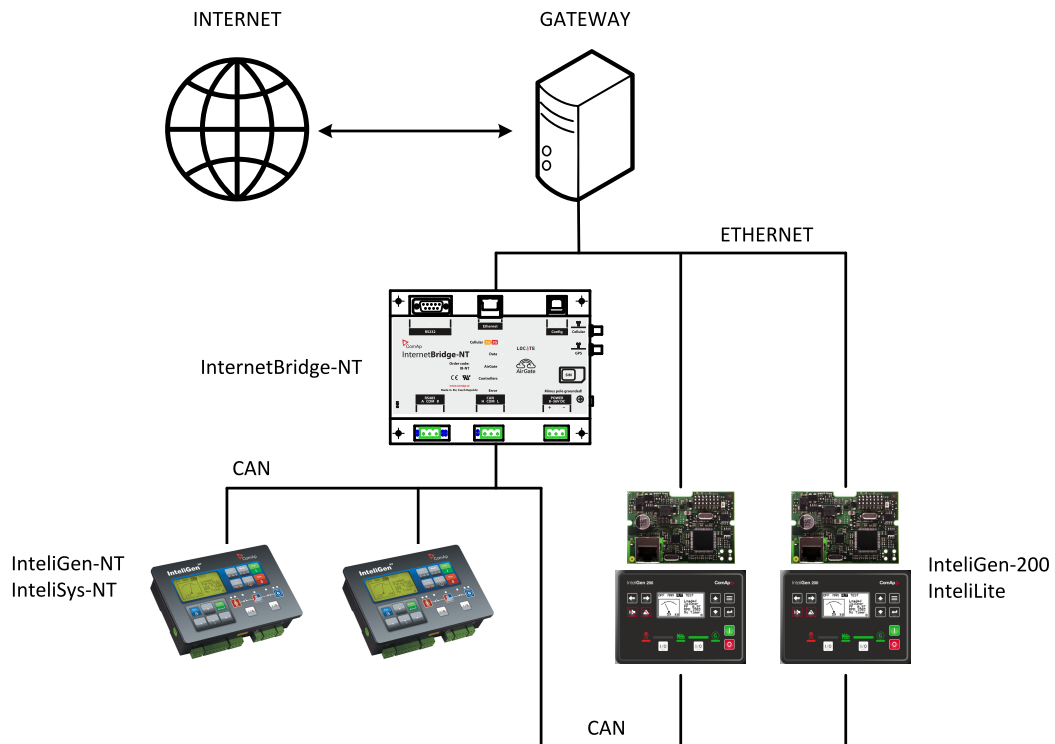


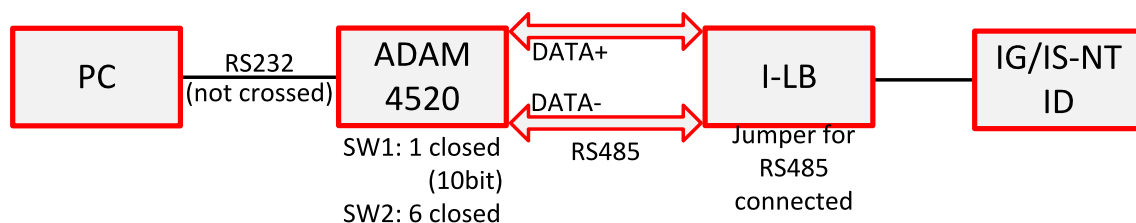
Image 7.8 Combined site, wired internet connection

Note: The controllers from new product lines are not supported in IntelliBridge-NT and thus not accessible via it.

8 Converters

- 8.1 Converter RS232 ↔ RS485 119
 - 8.1.1 General properties of RS232 to RS485 converters: 119
 - 8.1.2 Recommended converters 120
- 8.2 RS232 Bluetooth adapter 120
 - 8.2.1 Recommended adapter 120
- 8.3 Converter USB ↔ RS232 120
 - 8.3.1 Recommended converters 121
- 8.4 Converter USB ↔ RS485 121
 - 8.4.1 Recommended converter 121
- 8.5 Converter CAN ↔ CAN 122
 - 8.5.1 Recommended converter 122
- 8.6 Recommended optical USB extension cables 122
 - 8.6.1 Radio Link 122
 - 8.6.2 Recommended equipment 123
- 8.7 Converter Modbus RTU ↔ Profibus 123
 - 8.7.1 GE Digital Energy – P485 Modbus to Profibus Converter 123
 - 8.7.2 Converter settings 123
 - 8.7.3 Setup example (using wizard) 124
 - 8.7.4 Controller settings 127
- 8.8 Anybus Communicator – Modbus RTU to Profibus and other communication standards 128
 - 8.8.1 Ethernet converter from twisted pair(UTP/STP) to optic 128
 - 8.8.2 Recommended equipment 128

8.1 Converter RS232 ↔ RS485



8.1.1 General properties of RS232 to RS485 converters:

- ▶ Has to be set to passive DSR signal (when DSR connected) after switch on.
- ▶ No external data flow control signals are allowed – automatic data flow control required.

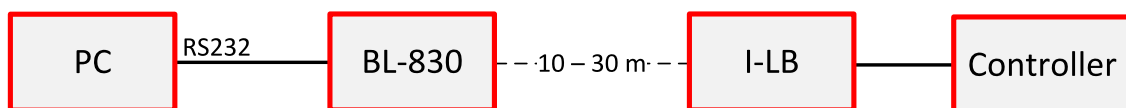
8.1.2 Recommended converters

▶ External:

- ADAM 4520
- ADVANTECH, (www.advantech.com/)
 - DIN rail, automatic RS485 bus supervision, no external data flow control signals, galvanic isolated, baud rate 19200 bps
 - When communication is working the LED on ADAM 4520 is going from full illumination to short darkness then again full illuminated
 - When communication of I-LB is working, PWR and RUN LEDs full red illuminated; TxD and RxD flashing when transmitting

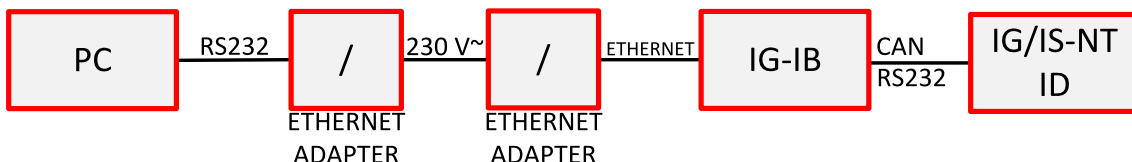
Note: In the case of surge hazard (connection out of building in case of storm etc.) see the "Recommended CAN/RS485 connection" chapter of the [IGS-NT Installation guide](#).

8.2 RS232 Bluetooth adapter

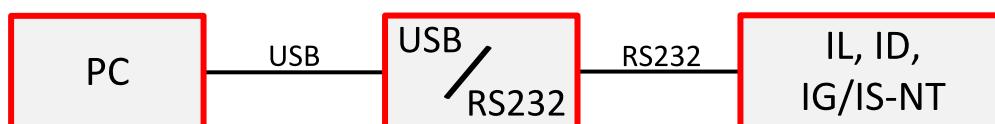


8.2.1 Recommended adapter

BL-830 (www.brainboxes.com/category/bluetooth.aspx) – doesn't work with Windows Vista



8.3 Converter USB ↔ RS232



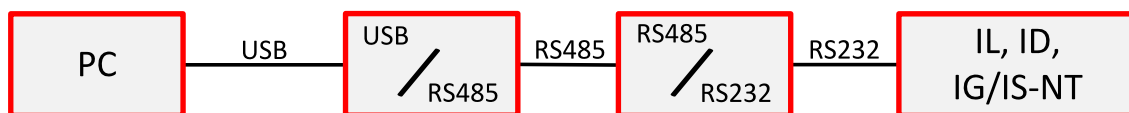
- ▶ Useful for PC/laptops without serial port

8.3.1 Recommended converters

- ▶ UCAB232 Full,
 - ASIX (www.asix.cz/)
 - UCAB232 is designated for all standard RS232 devices (mouses, modems, data terminals, barcode readers, serial printers) and industrial applications. UCAB232 supports Baud rates from 300 Bd to 250 kBaud (guaranteed) / 500 kBaud (typ.).
- ▶ VPI - USS-101/111,
 - VPI (www.vpi.us/usb-serial.html)
 - Supports serial devices with speeds up to 230 kb/sec (e.g. PDAs, modems, scanners, etc.).
- ▶ C-232-MM,
 - (www.usbgear.com/item_288.html)
 - The USB Serial Adapter provides instant connectivity with modems, ISDN TAs, PDS, handheld & pocket PCs, digital cameras, POS, serial printers, etc. It supports data rates up to 230 Kbps.

8.4 Converter USB ↔ RS485

- ▶ Extends distance between PC and controller up to 1200 meters



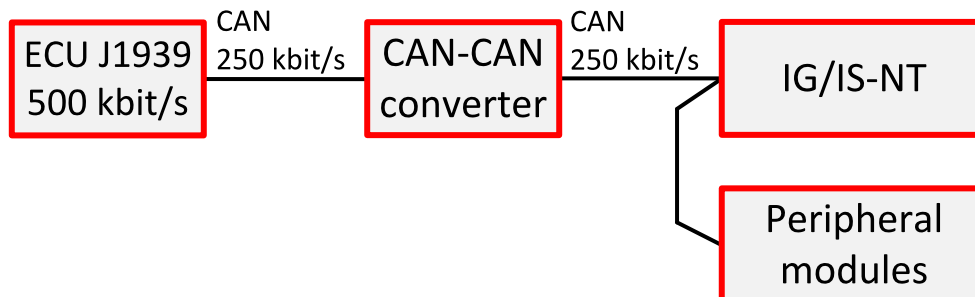
8.4.1 Recommended converter

- ▶ SB485S, SB485C, SB585L
 - PaPouch elektronika (www.papouch.com/)



8.5 Converter CAN ↔ CAN

- ▶ Allows to change the baudrate. Can be useful to connect specific types of ECU.
- ▶ Allows to map CAN identifier to another. Useful in case of collision at the CAN bus.
- ▶ Allows to filter range of CAN identifiers. May be appropriate at sites with heavy traffic on the CAN bus.



8.5.1 Recommended converter

- ▶ I-7532:
 - www.icpdas.com
 - From FW 1.4 and higher allows to map short CAN identifiers to long and vice versa.



8.6 Recommended optical USB extension cables

- ▶ Opticis M2-100-xx opticis.com
- ▶ USB Rover 200 www.icron.com

8.6.1 Radio Link



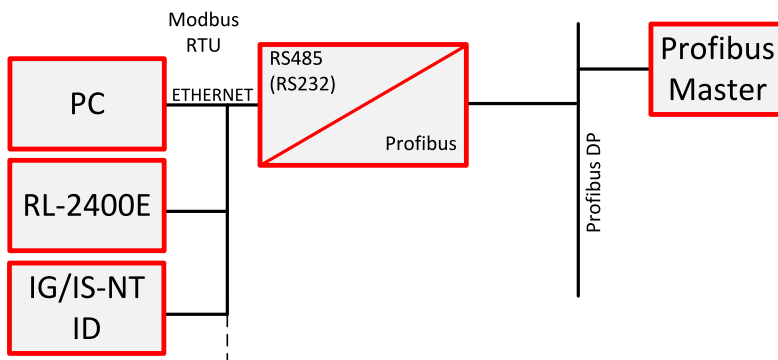
- ▶ Useful when the control room is distant from the site
- ▶ Can be more economical than to hard wire it

8.6.2 Recommended equipment

- ▶ RadioLinx RL-2400E wireless Ethernet switch, ProSoft Technology Inc. (www.prosoft-technology.com)
- ▶ ADAM-4571, ADVANTECH (www.advantech.com)
- ▶ MOXA DE311, MOXA (www.moxa.com)
- ▶ MOXA Nport 5230, MOXA



8.7 Converter Modbus RTU ↔ Profibus



8.7.1 GE Digital Energy – P485 Modbus to Profibus Converter

- ▶ For connection of 1-32 NT line controllers to a Profibus network
- ▶ RS485 or RS232 physical layer for connection to the controller(s)
- ▶ Full Profibus-DP slave functionality according IEC61158
- ▶ 244 bytes input data size (122 Modbus registers)
- ▶ 244 bytes output data size (122 Modbus registers)
- ▶ 416 bytes total
- ▶ See details on the web page of the manufacturer:
gedigitalenergy.com/multilin/catalog/p485.htm

8.7.2 Converter settings

- ▶ Use EnerVista software to setup the converter. It can be downloaded from the web page pm.geindustrial.com.

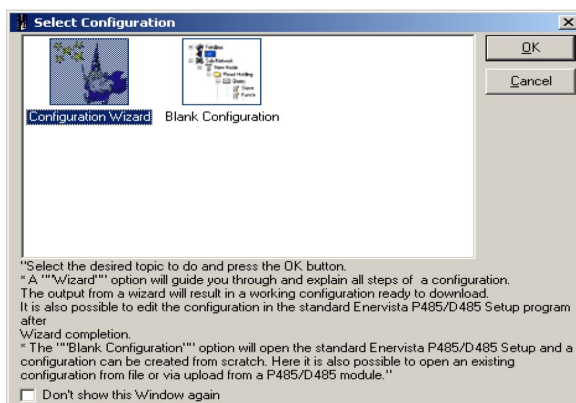
- ▶ To configure the converter in the Profibus network, download the description file www.geindustrial.com/products/software/d485/P48509E5.zip and import it to the Profibus configuration tool.

Follow instructions in the P485 manual while configuring the converter. The setup wizard incorporated in the Enervista software will make the setup process much easier, but finally some manual corrections are needed. Below are some notes specific to the connection with ComAp controllers.

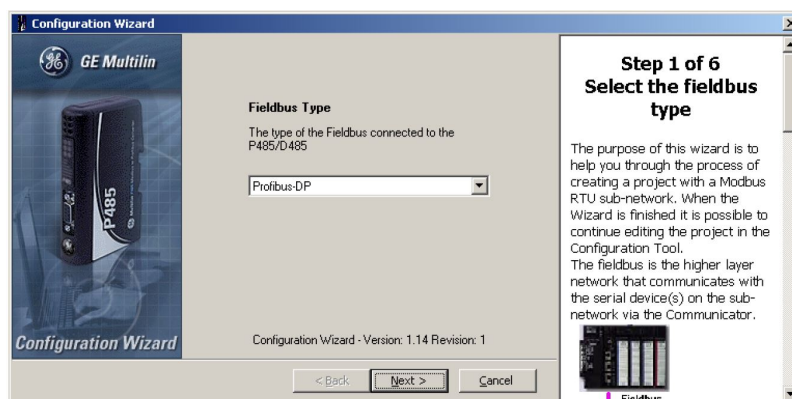
- ▶ The physical layer for Modbus communication is select table. The selected type (RS232/RS485) and speed must be same in the P485 and controller, **see Peripheral modules on page 62**.
- ▶ Use RS485 in case more controllers are connected to the P485.
- ▶ A Device mentioned in the wizard represents a controller type (IG-NT, IM-NT, IS-NT). Once a device is defined, more nodes of the same type (device) can be created easily.
- ▶ A Modbus network node represents a controller. The slave address must correspond to the Controller address setpoint of the related controller.
- ▶ See **Modbus Connection (page 130)** for details about Modbus, register numbers, sizes etc.
- ▶ **Use triggered update mode for writing objects (registers) to the controller. Never use cyclic update mode!**

8.7.3 Setup example (using wizard)

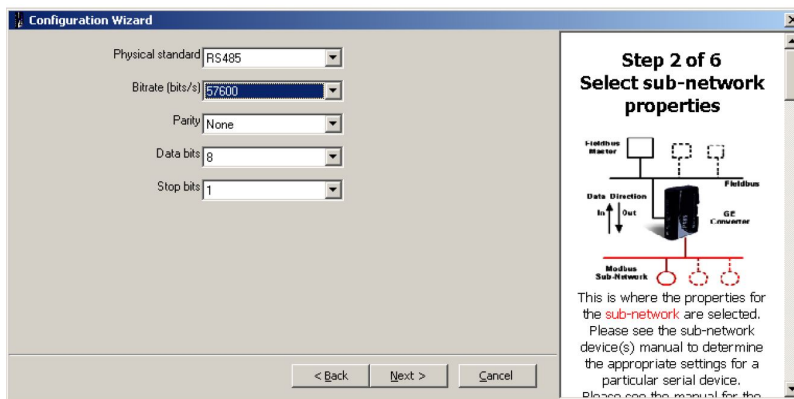
1. Select wizard



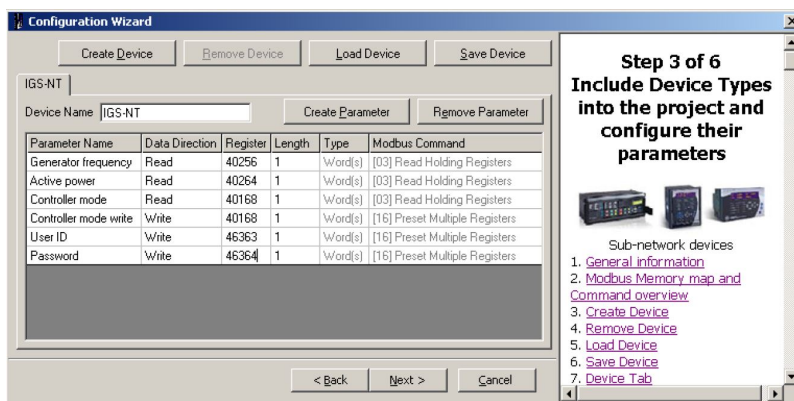
2. Select fieldbus type.



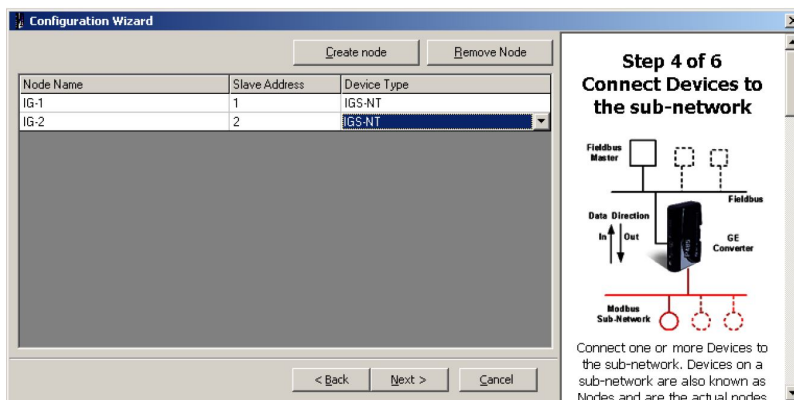
3. Select physical layer and communication parameters for Modbus.



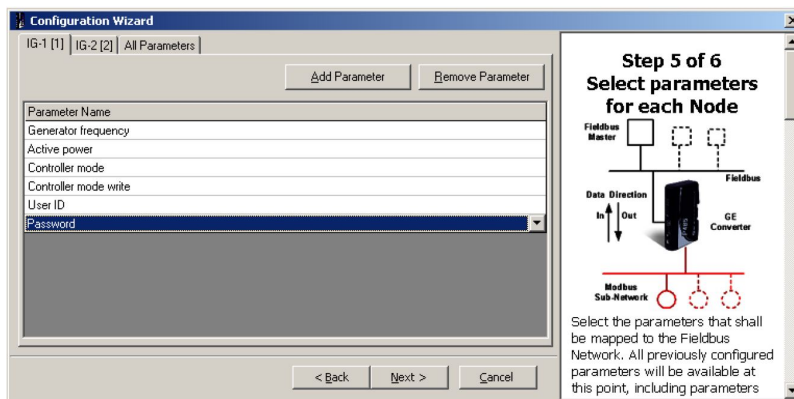
4. Define IGS-NT Device, it's Parameters and related Modbus registers.



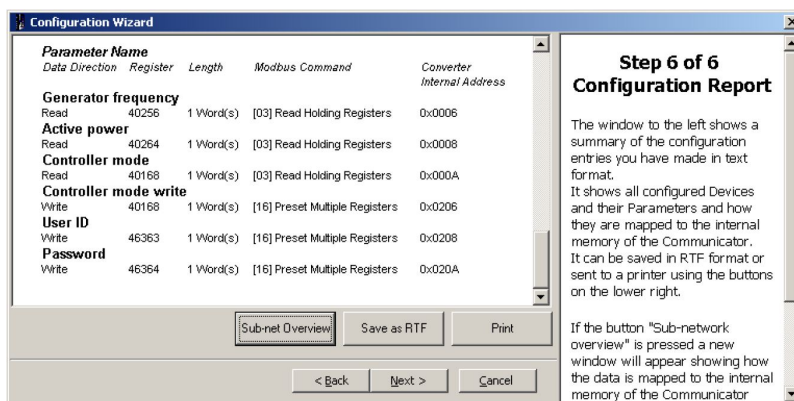
5. Define nodes connected to the Modbus network.



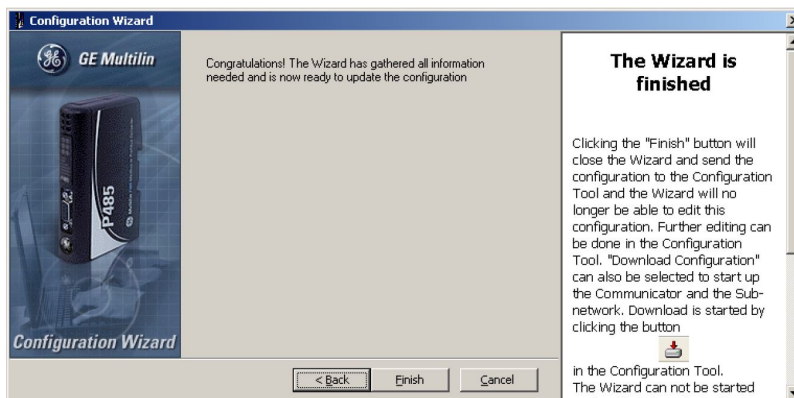
6. For each node select parameters that have to be mapped to the Profibus network.



7. Save the configuration overview (the picture below is only a general example, not a real one).

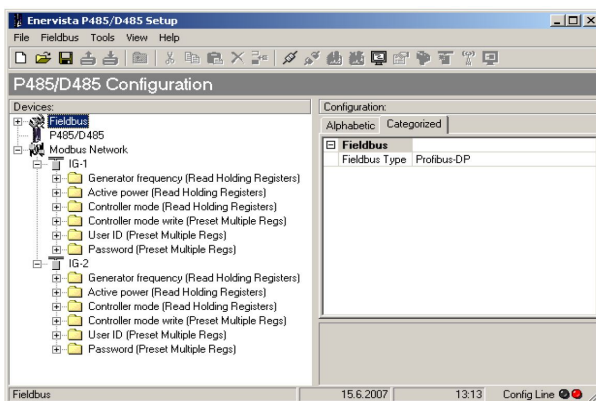


8. The configuration using wizard is finished.

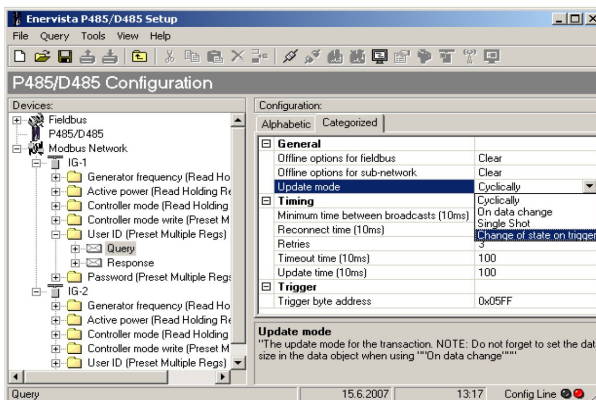


9. Save the configuration to a file.

10. Navigation window will appear:



11. For each write-type parameter modify the property Update mode to triggered mode and define trigger byte address. The Profibus master must update the parameter data field first and then increase the trigger byte value to write the parameter (register) to the controller.



12. Write the configuration to the P485 and save it also to disk as backup.

8.7.4 Controller settings

IG/IS-NT		
Comms settings:	RS232(1) mode / RS232(2) mode*	MODBUS-DIRECT
Comms settings:	RS232(1)MBCSpd / RS232(2) MBCSpd*	according to converter setting
Comms settings:	RS485(1)conv. / RS485(2) conv.*	according the converter setting

Note:

* Second RS232/485 port available only in IG-NTC/EEC and IS-NT.

8.8 Anybus Communicator – Modbus RTU to Profibus and other communication standards

Anybus communicator is converter from Modbus RTU (RS232, RS422, RS485) to Profibus and other communication standards. See more information on manufacturer web page.

- ▶ See details on the web page of the manufacturer: www.hms.se/
- ▶ Download user manual and configuration manual www.hms.se/upload/104-0855-ABC-PDP_2_53.pdf

8.8.1 Ethernet converter from twisted pair (UTP/STP) to optic

- ▶ For galvanic separation
- ▶ For cable length extension

8.8.2 Recommended equipment

- ▶ Ethernet Media converters
 - MOXA IMC-21A (www.moxa.com/product/IMC-21A.htm) Multimode / single mode versions. One Ethernet port. Up to 40 km (single mode). SC/ST connectors.



- ▶ Ethernet Switches
 - MOXA EDS-305/308 series (www.moxa.com/product/eds-308305.htm) Unmanaged switches. Multimode / single mode versions. 4/6 Ethernet RJ45 ports, 1/2 optical ports. Up to 40 km (single mode). Alarm contact. SC/ST connectors.
 - MOXA EDS-405A/408A series (www.moxa.com/product/eds-408405a.htm) Managed switches. Multimode / single mode versions. 4/6 Ethernet RJ45 ports, 1/2/3 optical ports. Up to 40 km (single mode). Redundant power supply. Alarm contact. SC/ST connectors.

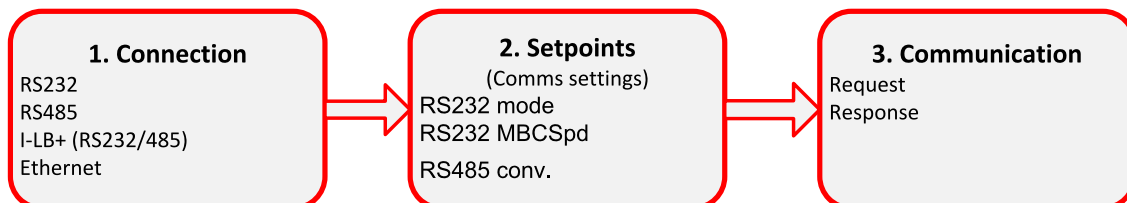


9 Modbus Connection

Modbus protocol was implemented into the controllers to enable the customer to design its own supervision software.

- 9.1 Modbus Step by Step 130
- 9.2 Important setpoints in the controller 130
 - 9.2.1 Modbus communication via RS232 – single controller 131
 - 9.2.2 Modbus communication via RS485 131
 - 9.2.3 Modbus communication via RS485 – multiple controllers 131
 - 9.2.4 Modbus communication via I-LB+ 132
 - 9.2.5 Modbus communication via IB-NT 132
- 9.3 Modbus Protocol Description 133
 - 9.3.1 Modbus TCP 133
 - 9.3.2 Modbus RTU 135
 - 9.3.3 Alarm list reading 140
 - 9.3.4 History reading 144
- 9.4 Check field calculation 144
- 9.5 How get numbers of Modbus communication objects 144
- 9.6 User Modbus 145

9.1 Modbus Step by Step



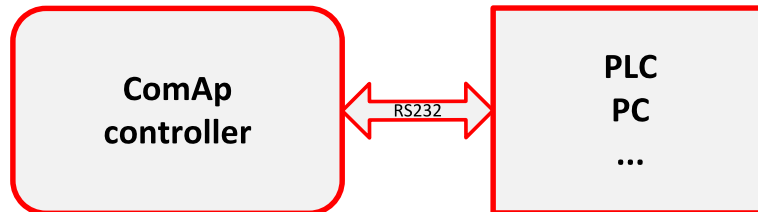
9.2 Important setpoints in the controller

There are three possibilities of Modbus connection to single or multiple controllers: Via RS232 or RS485, IG/IS-NT-BB controllers is possible connect via Ethernet port (TCP/IP Modbus).

- ▶ Controller’s configuration:
 - Comms settings:RS232(1) mode = [MODBUS-DIRECT]
- ▶ Selection of Modbus communication speed:
 - Comms settings:RS232(1)MBCSpd = [9600 , 19200 , 38400 , 57600] bps
- ▶ Selection of RS232/RS485 Converter:
 - Comms settings:RS485(1)Conv. = [DISABLED, ENABLED]
- ▶ Ethernet connection settings are described in chapter **Monitoring Local on site – MODBUS (page 36)**.

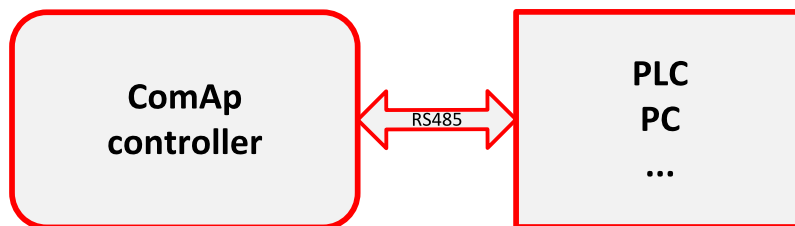
9.2.1 Modbus communication via RS232 – single controller

Controller's configuration	
Comms settings:RS232(1) mode	= MODBUS-DIRECT
Comms settings:RS232(1)MBCSpd	= Select of Modbus communication speed
Comms settings:RS485(1)Conv.	= DISABLED



9.2.2 Modbus communication via RS485

Controller's configuration	
Comms settings:RS232(1) mode	= MODBUS-DIRECT
Comms settings:RS232(1) MBCSpd	= Select of Modbus communication speed
Comms settings:RS485(1) Conv.	= ENABLED

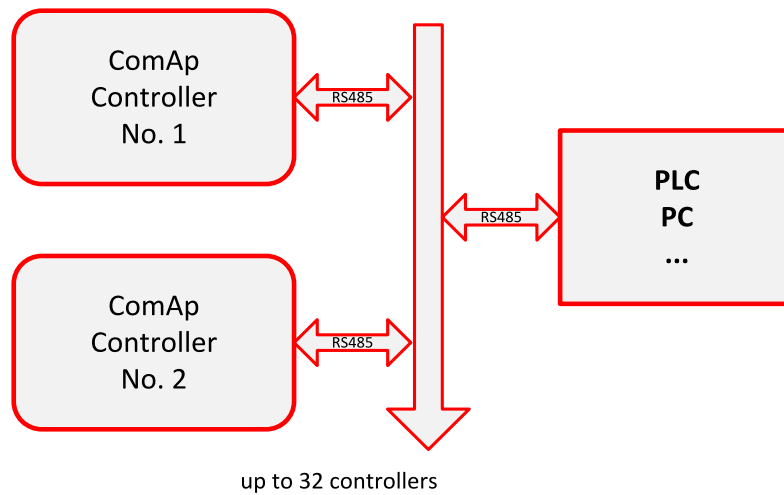


Note: The RS232/RS485 converter is included in the IG-NTC, IG-EEC and IS-NT controllers (no external RS232/RS485 converter is needed).

Note: RS485 communication line has to be terminated by 120 Ω resistors at both ends – follow converter user manual. RS485 communication can be used for monitoring and controlling of many controllers via IntelliMonitor.

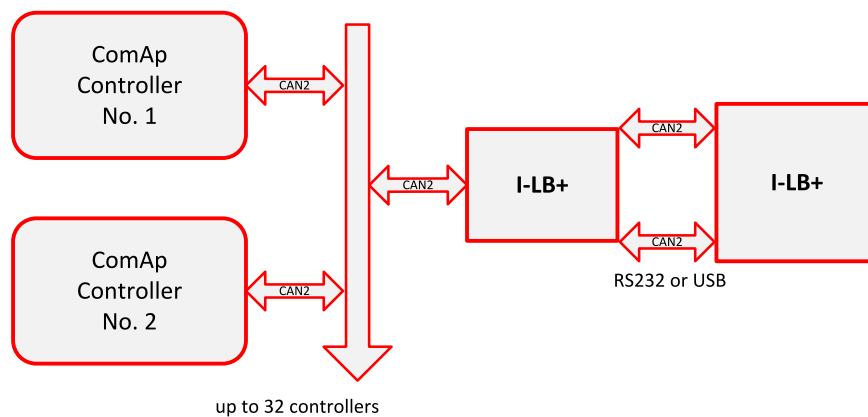
9.2.3 Modbus communication via RS485 – multiple controllers

Controller's configuration	
Comms settings:RS232(1) mode	= MODBUS-DIRECT
Comms settings:RS232(1) MBCSpd	= Select of Modbus communication speed
Comms settings:RS485(1) Conv.	= ENABLED



9.2.4 Modbus communication via I-LB+

I-LB+ configuration	
Jumpers P13, P14	= select of Modbus communication speed
Jumper P16	= Modbus
Jumper P17	= Address 1 or Address 2
Jumper P18	= Direct



Note: To use I-LB Modbus communication connect Modbus jumper in I-LB unit (P16). Additionally, you can choose the communication speed using the speed selection jumpers (P13, P14). Their combination allows the speed selection of 9600/19200/38400/57600 bps.

9.2.5 Modbus communication via IB-NT

Modbus communication needs to be enabled in settings via IB-NT config.

Modbus is available as Modbus TCP or Modbus RTU over RS485.

Note: For more information regarding IB-NT please see documentation [InteliBridge^{NT} Global Guide](#).

9.3 Modbus Protocol Description

9.3.1 Modbus TCP

- ▶ Direct connection:
 - ETH
 - Port 502
- ▶ Bridge connection:
 - IB-NT
- ▶ Transfer mode TCP/IP
- ▶ Function codes
 - 3 (Read Multiple Registers)
 - 6 (Write Single Register)
 - 10 (Command)
 - 16 (Write Multiple Registers)
- ▶ The response to an incoming message depends on the network performance and on the controller configuration. Typical response time is 25 ms.
- ▶ Connection timeout is set to 15 seconds. If no message comes within the timeout then controller close the connection.

Note: Data structure is the same as Modbus RTU. Modbus TCP adds 6 bytes header before data. CRC calculation is not used in Modbus TCP.

Read Multiple Registers

Query

Byte	Meaning	Note
0-1	Transaction Identifier	Value will be copied into response.
2-3	Protocol Identifier	0 = Modbus protocol
4-5	Number of following bytes	$4 + 2 * \text{Number of registers}$.
6	Controller address	1 to 32
7	3	Modbus function code
8	Controller address ▶ upper byte (MSB)	
9	▶ lower byte (LSB)	
10	Communication object length expressed by the number of registers ▶ upper byte (MSB)	Greater than 0
11	▶ lower byte (LSB)	

Standard response

Byte	Meaning	Note
0-1	Transaction Identifier	Value from query
2-3	Protocol Identifier	0 = Modbus protocol
4-5	Number of following bytes	$3 + 2 * \text{Number of registers}$.
0	Controller address	Same as in the query
1	3	Same as in the query
2	Length of read data in bytes (L)	Number of registers <input checked="" type="checkbox"/> 2
	Data of the 1st register	
3	▶ upper byte (MSB)	
4	▶ lower byte (LSB)	
	Data of the 2nd register	
5	▶ upper byte (MSB)	
6	▶ lower byte (LSB)	
...		
	Data of the last register	
L + 1	▶ upper byte (MSB)	
L + 2	▶ lower byte (LSB)	

Write Single Registers

Query

Byte	Meaning	Note
0	Controller address	1 to 32
1	6	Modbus function code
	Communication object number	
2	▶ upper byte (MSB)	
3	▶ lower byte (LSB)	
	Data	
4	▶ upper byte (MSB)	
5	▶ lower byte (LSB)	
	Check field CRC	
6	▶ lower byte (LSB)	see Check field calculation on page 144
7	▶ upper byte (MSB)	

Standard response

Byte	Meaning	Note
0	Controller address	Same as in the query
1	6	Same as in the query
2	Communication object number ▶ upper byte (MSB)	Same as in the query
3	▶ lower byte (LSB)	
4	Data ▶ upper byte (MSB)	Same as in the query
5	▶ lower byte (LSB)	
6	Check field CRC ▶ lower byte (LSB)	see Check field calculation on page 144
7	▶ upper byte (MSB)	

Exceptional response

Byte	Meaning	Note
0	Controller address	Same as in the query
1	134	Function code + 128
2	2	see Error list on page 151
3	Check field CRC ▶ lower byte (LSB)	see Check field calculation on page 144
4	▶ upper byte (MSB)	

9.3.2 Modbus RTU

- ▶ Direct connection:
 - Modbus communication via RS232 – single controller (page 131), Modbus communication via RS485 (page 131), Modbus communication via I-LB+ (page 132)
 - 8 data bits
 - 1 stop bit
 - no parity
- ▶ Modem connection
 - 8 data bits
 - 1 stop bit
 - no parity
- ▶ Communication speed:
 - 9600 / 19200 / 38400 / 57600 bps

- ▶ Transfer mode RTU
- ▶ Function codes
 - 3 (Read Multiple Registers)
 - 6 (Write Single Register)
 - 10 (Command)
 - 16 (Write Multiple Registers)
- ▶ The response to an incoming message depends on the communication speed. The delay is not shorter than the time needed to send / receive 3 and ½ characters.

Note: The complete description of Modbus communication protocol can be found in modbus.org/docs/PI_MBUS_300.pdf and rtautomation.com/modbustcp/files/Open_ModbusTCP_Standard.pdf.

Read Multiple Registers

Query

Byte	Meaning	Note
0	Controller address	1 to 32
1	3	Modbus function code
	Communication object number	
2	▶ upper byte (MSB)	
3	▶ lower byte (LSB)	
	Communication object length expressed by the number of registers	
4	▶ upper byte (MSB)	Greater than 0
5	▶ lower byte (LSB)	
	Check field CRC	
6	▶ lower byte (LSB)	see Check field calculation on page 144
7	▶ upper byte (MSB)	

Standard response

Byte	Meaning	Note
0	Controller address	Same as in the query
1	3	Same as in the query
2	Length of read data in bytes (L)	Number of registers ± 2
3	Data of the 1 st register ▶ upper byte (MSB)	
4	▶ lower byte (LSB)	
5	Data of the 2 nd register ▶ upper byte (MSB)	
6	▶ lower byte (LSB)	
...		
L + 1	Data of the last register ▶ upper byte (MSB)	
L + 2	▶ lower byte (LSB)	
L + 3	Check field CRC ▶ lower byte (LSB)	see Check field calculation on page 144
L + 4	▶ upper byte (MSB)	

Exceptional response

Byte	Meaning	Note
0	Controller address	Same as in the query
1	131	Modbus fun.number 128
2	2	see Error list on page 151
3	Check field CRC ▶ lower byte (LSB)	see Check field calculation on page 144.
4	▶ upper byte (MSB)	

Write Single Registers

Query

Byte	Meaning	Note
0	Controller address	1 to 32
1	6	Modbus function code
	Communication object number	
2	▶ upper byte (MSB)	
3	▶ lower byte (LSB)	
	Data	
4	▶ upper byte (MSB)	
5	▶ lower byte (LSB)	
	Check field CRC	
6	▶ lower byte (LSB)	see Check field calculation on page 144
7	▶ upper byte (MSB)	

Standard response

Byte	Meaning	Note
0	Controller address	Same as in the query
1	6	Same as in the query
	Communication object number	
2	▶ upper byte (MSB)	Same as in the query
3	▶ lower byte (LSB)	
	Data	
4	▶ upper byte (MSB)	Same as in the query
5	▶ lower byte (LSB)	
	Check field CRC	
6	▶ lower byte (LSB)	see Check field calculation on page 144
7	▶ upper byte (MSB)	

Exceptional response

Byte	Meaning	Note
0	Controller address	Same as in the query
1	134	Function code + 128
2	2	see Error list on page 151
	Check field CRC	
3	▶ lower byte (LSB)	see Check field calculation on page 144
4	▶ upper byte (MSB)	

Write Multiple Registers

Query

Byte	Meaning	Note
0	Controller address	1 to 32
1	16	Modbus function code
2	Communication object number ▶ upper byte (MSB)	
3	▶ lower byte (LSB)	
4	Communication object length expressed by the number of registers ▶ upper byte (MSB)	Greater than 0
5	▶ lower byte (LSB)	
6	Length of written data in bytes (L)	Number of registers = 2
7	Data of the 1 st register ▶ upper byte (MSB)	
8	▶ lower byte (LSB)	
9	Data of the 2 nd register ▶ upper byte (MSB)	
10	▶ lower byte (LSB)	
...		
L + 5	Data of the last register ▶ upper byte (MSB)	
L + 6	▶ lower byte (LSB)	
L + 7	Check field CRC ▶ lower byte (LSB)	see Check field calculation on page 144
L + 8	▶ upper byte (MSB)	

Standard response

Byte	Meaning	Note
0	Controller address	Same as in the query
1	16	Same as in the query
2	▶ upper byte (MSB)	Same as in the query
3	▶ lower byte (LSB)	
4	Communication object length expressed by the number of registers	Same as in the query
5	▶ upper byte (MSB)	
	▶ lower byte (LSB)	
6	Check field CRC	see Check field calculation on page 144
7	▶ lower byte (LSB)	
	▶ upper byte (MSB)	

Exceptional response

Byte	Meaning	Note
0	Controller address	Same as in the query
1	144	Function code + 128
2	2	see Error list on page 151
3	Check field CRC	see Check field calculation on page 144
4	▶ lower byte (LSB)	
	▶ upper byte (MSB)	

9.3.3 Alarm list reading

It is not possible to read alarm list simultaneously from more terminals. If the terminal starts reading, the reading is locked for other terminals. It is unlocked 5 seconds after last reading of alarm list. The locked terminal indicates to another terminal an error message.

The whole alarm list is stored in the cache memory at the moment of locking and the following reading of records is performed from this memory. Locking is done only while reading the first record. So the successive reading from the first to the last record is supposed.

Alarm list reading via Modbus

Since firmware version 2.5 and higher is possible to read alarm list via Modbus as a binary attributes of protection states. For this function was reserved these ranges of registers.

Registers	Register addresses	Number of Registers	Access	Type of Data
45751 to 45875	5750 to 5874	125	Reading	Domain
45876 to 46000	5875 to 5999	125	Reading	Domain
46201 to 46325	6200 to 6324	125	Reading	Domain

Number of register of particular protection you can get as exporting of Modbus registers list from GenConfig. Open an archive in GenConfig (ver. 2.5 and higher), open File menu and choose "Generate Cfg Image --> Modbus registers all" (see "How get numbers of Modbus communication objects" chapter). Open the list of Modbus registers you have got and see registers with number according the table. Here you can see meaning of particular Modbus registers. Each register carries information about two protections (Protection#1 and Protection#2).

Register	Protection#2	Protection#1
45754	Warning 7	Warning 8
45755	Warning 9	Warning 10
45756	SD 11	SD 12
45863	Oil press	Water temp
45864	Fuel level	N/A
45925	BIN 1	BIN 2
45926	BIN 3	BIN 4

Meaning of register content

Register map

Bit 0-7 Protection #1

Bit 8-15 Protection #2

Bit 0-2 Protection #1 Level 1

Value	Meaning	
0	Level 1	inactive
2	Level 1	active, confirmed
3	Level 1	active, blocked
4	Level 1	previously active, not confirmed yet
6	Level 1	active, not confirmed yet
7	Level 1	active, not confirmed yet, blocked

Bit 3-5 Protection #1 Level 2

Value	Meaning	
0	Level 2	inactive
2	Level 2	active, confirmed
3	Level 2	active, blocked
4	Level 2	previously active, not confirmed yet
6	Level 2	active, not confirmed yet
7	Level 2	active, not confirmed yet, blocked

Bit 6-7 Protection #1 Sensor failure

Value	Meaning	
0	Sensor	failure not active
1	Sensor	failure active, confirmed
2	Sensor	failure previously active, not confirmed yet
3	Sensor	failure active, not confirmed yet

Bit 8-10 Protection #2 Level 1

Value	Meaning	
0	Level 1	inactive
2	Level 1	active, confirmed
3	Level 1	active, blocked
4	Level 1	previously active, not confirmed yet
6	Level 1	active, not confirmed yet
7	Level 1	active, not confirmed yet, blocked

Bit 11-13 Protection #2 Level 2

Value	Meaning	
0	Level 2	inactive
2	Level 2	active, confirmed
3	Level 2	active, blocked
4	Level 2	previously active, not confirmed yet
6	Level 2	active, not confirmed yet
7	Level 2	active, not confirmed yet, blocked

Bit 14-15 Protection #2 Sensor failure

Value	Meaning	
0	Sensor	failure not active
1	Sensor	failure active, confirmed
2	Sensor	failure previously active, not confirmed yet
3	Sensor	failure active, not confirmed yet

Example

Example Register	Protection#2	Protection#1
45754	Warning 7	Warning 8
45755	Warning 9	Warning10
45756	SD 11	SD 12
45863	Oil press	Water temp
45864	Fuel level	N/A
45925	BIN 1	BIN 2
45926	BIN 3	BIN 4

Register number 45863 carries information about states of protections Oil press and Water temp. For understanding of particular bit meaning use previous register map according table bellow. The first line contains numbers of bits of the registers, the second one contains values of particular bits. Values of particular sections are in 3rd line, their meaning is in the last line.

Level 1 = yellow level in protection settings

Level 2 = red level in protection settings

Protection#2 = Oil press								Protection#1 = Water temp							
15	14	13	12	11	10	9	8	7	6	5	4	3	2	1	0
0	1	1	0	0	1	1	0	0	1	0	0	0	0	1	0
1		4			6			1		0			2		
Sensor failure active, confirmed (or not configured as protection)		Level 2 previously active, not confirmed yet			Level 1 active, not confirmed yet			Sensor failure active, confirmed		Level 2 inactive			Level 1 active, confirmed		

Meaning of particular bits

Bit	Value of bit = 0	Value of bit = 1
0, 3, 8, 11	protection is not blocked, if the condition for activation is fulfilled protection can be announced	the condition for activation of protection is fulfilled but protection is blocked
1, 4, 9, 12	protection is not active (condition for activation is not fulfilled)	protection is active (condition for activation is fulfilled)
2, 5, 10, 13	protection has not been announced (the protection is not active or is active but blocked or it was active previously and was confirmed)	protection has been announced (is active and not blocked and was not confirmed)

9.3.4 History reading

It is not possible to read history from more terminals simultaneously. Reading must be started by writing of an index of requested history record. If the index is not written it is not possible to read neither history header nor data part of the record. In this case the controller returns an error message. If the terminal writes the index of requested record, history reading is locked for other terminals (i.e. reading and writing of an index of requested record, reading of header and data part of the record). It is unlocked 5 seconds after the last history reading. Locked history is indicated to other terminals by an error message.

Requested history record is stored at the moment of locking in the cache memory and following reading is performed from this memory.

Note: History reading is not possible in some specific firmware versions. See the concrete firmware version and its New Feature Lists.

9.4 Check field calculation

The check field allows the receiver to check the validity of the message. The check field value is the Cyclical Redundancy Check (CRC) based on the polynomial $x^{16}+x^{15}+x^2+1$. CRC is counted from all message bytes preceding the check field.

9.5 How get numbers of Modbus communication objects

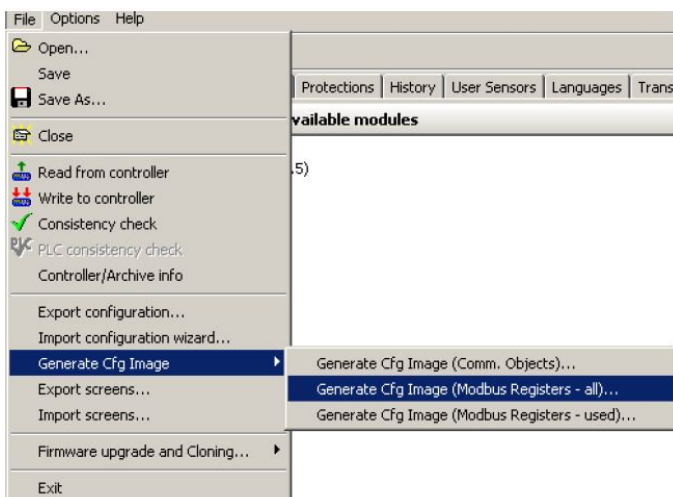


Image 9.1 A part of Cfg Image (Modbus Register ...) file

Communication objects can be spitted into two groups:

- ▶ Communication objects dependent on the application type (SSB, SPM, SPtM, MEXT, MINT, ...).
- ▶ Communication objects independent on the application type.

Use GenConfig menu command File → Generate Cfg Image → Generate Cfg Image (Comm. Objects ...) and Generate Cfg Image (Modbus Registers all/used).

Register (s)	Com. Obj.	Name	Dim	Type	Len	Dec	Min	Max	Group
40001	8505	(N/A)							
40002	8506	(N/A)							
40003	8235	BIN		Binary#1	2	-	-	-	Bin inputs CU
40004	9107	(N/A)							
40005	9108	(N/A)							
40006	9109	(N/A)							
40007	9110	(N/A)							
40008	9111	(N/A)							
40009	9112	(N/A)							
40010	9113	(N/A)							
40011	9114	(N/A)							
40012	8239	BOUT		Binary#2	2	-	-	-	Bin outputs CU
40013	8213	Ubat	V	Integer	2	1	0	360	Analog CU
40014	10124	CPU temp	°C	Integer	2	1	-200	800	Analog CU
40015	10603	Dplus	V	Integer	2	1	0	360	Analog CU
40016	9155	Oil press	Bar	Integer	2	1	0	100	Analog CU
40017	9156	Water temp	°C	Integer	2	0	0	150	Analog CU
40018	9157	Fuel level	%	Integer	2	0	0	100	Analog CU
40019	9158	Reload	s	Integer	2	0	0	200	Analog CU
43001-43008 (8)	8637	Gen-set name		String0	16	-	-	-	Basic settings
43009	8276	Nomin power	kW	Unsigned	2	0	1	32000	Basic settings
43010	8275	Nomin current	A	Unsigned	2	0	1	10000	Basic settings
43011	8274	CT ratio prim	A	Unsigned	2	0	1	10000	Basic settings
43012	10556	CT ratio sec		List#9	1	-	41	42	Basic settings
43013	8566	Im3/ErFlCurCTp	A	Unsigned	2	0	1	10000	Basic settings
43014	10557	Im3/ErFlCurCTs		List#9	1	-	41	42	Basic settings
43015	9579	VT ratio	V/V	Unsigned	2	1	1	5000	Basic settings
43016	10662	Vg InpRangeSel		List#10	1	-	43	44	Basic settings
43017	9580	Vm VT ratio	V/V	Unsigned	2	1	1	5000	Basic settings
43018	10663	Vm InpRangeSel		List#10	1	-	43	44	Basic settings
43019	8277	GenNomV	V	Unsigned	2	0	80	30000	Basic settings
43020	9673	GenNomVph-ph	V	Unsigned	2	0	130	60000	Basic settings
43021	9888	MainsNomV	V	Unsigned	2	0	80	30000	Basic settings
43022	9907	MainsNomVph-ph	V	Unsigned	2	0	130	60000	Basic settings
43023	10647	VoltProtSelect		List#11	1	-	45	46	Basic settings
40163	9244	Engine State		List#1	1	-	429	449	Info
43025	8252	Gear teeth		Unsigned	2	0	0	500	Basic settings
....

Application values (read only)

Application setpoints (read/write)

Header	Description
Registers(s)	Register number; register address = register number – 1
Com.Obj.	Corresponding communication object number
Name	Communication object name
Dim	Value dimension
Type	Value data type (see Data types on page 148)
Len	Data length in Bytes (max. 64)
Dec	Number of decimals
Min	Value low limit
Max	Value high limit
Group	Group of setpoints/values

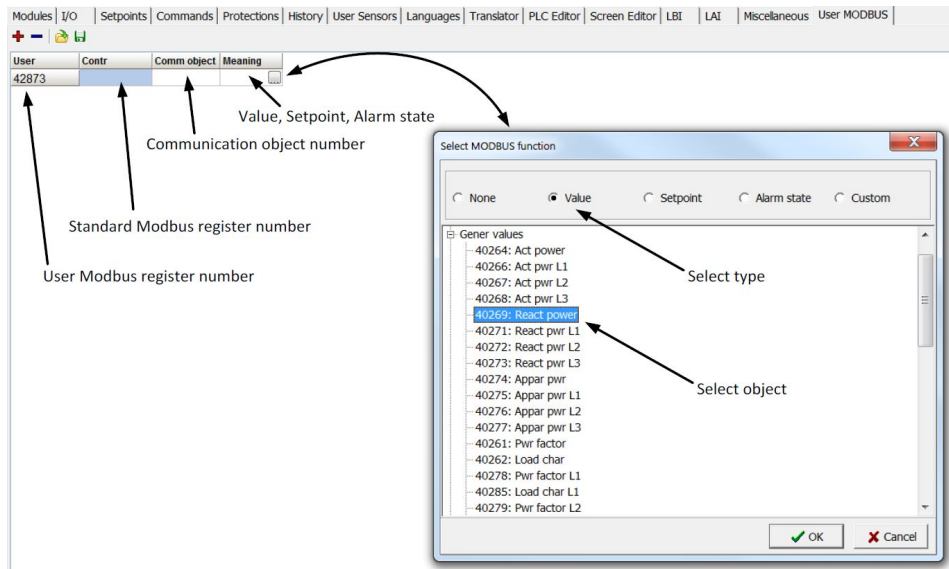
9.6 User Modbus

This function is available to BaseBox controller with standard FW v 3.0 and higher.

User Modbus function allows users to assign up to 127 registers from range 42873 to 43000 to any value or setpoint available for Modbus reading or writing in the controller. This can be used for standardizing the Modbus communication or for quick batch reading or writing (note that it is possible to write no more than 16 registers in on multiple writing request).

It is not possible to read or write both standard registers and User Modbus registers in one request (e.g. batch reading of registers 42998 to 43007 is not possible). It is perfectly fine to separate the request and read User Modbus registers and standard registers individually.

User Modbus registers are assigned in the GenConfig as a standard part of configuration. See the figure below for more information on how to assign a register. Assigned registers can be written and read the same way as standard registers (refer to the chapter above).



It is still possible to read the assigned object on its original register address if required.

⬅ back to Modbus Connection

10 Modbus Appendix

10.1 Modbus Switches	147
10.2 Data types	148
10.3 Communication status	149
10.4 Error list	151

 [back to Table of contents](#)

10.1 Modbus Switches

The “Modbus Switches” are two Modbus registers dedicated for continuous writing of binary information via Modbus. Both registers are available on Modbus for simple writing (using command 6 or 16). The particular bits of these registers are available as binary status for universal use in logical binary outputs of the controller as “MODBUSSW1..MODBUSSW32”. No password is required for writing of those registers (if there is no general password for Modbus writing). There are two Values “ModbusSw1” and “ModbusSw2” in group “Log Bout” available for back-reading.

Register for writing	Modbus register number	Value for back-reading	Modbus register number
ModbusSw1	46337	ModbusSw1	See export of Modbus registers, value ModbusSW1
ModbusSw2	46338	ModbusSw2	See export of Modbus registers, value ModbusSW2

Note: Modbus register number for back-reading may be different based on controller family. Check register numbers in list of registers described in “How get numbers of Modbus communication objects”. Register number for writing is not mentioned in list of registers.

Note: The LSB of ModbusSw1 (46337) corresponds with LBO “ModbusSw1”
The LSB of ModbusSw2 (46338) corresponds with LBO “ModbusSw17”

Register for writing	Modbus register number	LBO ModbusSw16ModbusSw1
ModbusSw1 (46337)	000F HEX	0000 0000 0000 1111

Register for writing	Modbus register number	LBO ModbusSw32ModbusSw17
ModbusSw2 (46338)	F000 HEX	1111 0000 0000 0000

10.2 Data types

The following table contains the communication objects data types and their representation in the data part of the communication function.

Data type	Meaning	Number of registers	Data part of the communication function
Integer8	Signed integer – 8 bits	1	MSB1 = sign extension LSB1 LSB1 = comm. object value
Unsigned8	Unsigned integer – 8 bits	1	MSB1 = 0 LSB1 = comm. object value
Integer16	Signed integer – 16 bits	1	MSB1 = comm. object value, bits 15-8 LSB1 = comm. object value, bits 7-0
Unsigned16	Unsigned integer – 16 bits	1	MSB1 = comm. object value, bits 15-8 LSB1 = comm. object value, bits 7-0
Integer32	Signed integer – 32 bits	2	MSB1 = comm. object value, bits 31-24 LSB1 = comm. object value, bits 23-16 MSB2 = comm. object value, bits 15-8 LSB2 = comm. object value, bits 7-0
Unsigned32	Unsigned integer – 32 bits	2	MSB1 = comm. object value, bits 31-24 LSB1 = comm. object value, bits 23-16 MSB2 = comm. object value, bits 15-8 LSB2 = comm. object value, bits 7-0
Binary8	Binary number – 8 bits	1	MSB1 = 0 LSB1 = comm. object value
Binary16	Binary number – 16 bits	1	MSB1 = comm. object value, bits 15-8 LSB1 = comm. object value, bits 7-0
Binary32	Binary number – 32 bits	2	MSB1 = comm. object value, bits 31-24 LSB1 = comm. object value, bits 23-16 MSB2 = comm. object value, bits 15-8 LSB2 = comm. object value, bits 7-0
Char	ASCII character	1	MSB1 = 0 LSB1 = comm. object value
List	String list	1	MSB1 = 0 LSB1 = comm. object value
ShortStr	ASCII string of max. length of 15 characters (zero terminated string)	8	MSB1 = 1. character of the string LSB1 = 2. character of the string MSB2 = 3. character of the string LSB2 = 4. character of the string ...
LongStr	ASCII string of max. length of 31 characters (zero terminated string)	16	MSB1 = 1. character of the string LSB1 = 2. character of the string MSB2 = 3. character of the string LSB2 = 4. character of the string

Data type	Meaning	Number of registers	Data part of the communication function
			...
Date	Date	2	MSB1 = BCD(day) LSB1 = BCD(month) MSB2 = BCD(year) LSB2 = 0 example: MSB1 = 18 (HEX) LSB1 = 04 (HEX) MSB2 = 01 (HEX) LSB2 = 0 → Date = 18.4.(20)01
Time	Time	2	MSB1 = BCD(hour) LSB1 = BCD(minute) MSB2 = BCD(second) LSB2 = 0 example: MSB1 = 20 (HEX) LSB1 = 24 (HEX) MSB2 = 02 (HEX) LSB2 = 0 → Time = 20:24:02
Domain	Field n bytes C-declaration: unsigned char x[n]	n	MSB1 = x[0] LSB1 = x[1] MSB2 = x[2] LSB2 = x[3] ... n is even number: MSBm-1 = x[n-2] LSBm = x[n-1] n is odd number: MSBm-1 = x[n-1] LSBm = 0
String	String (Zero terminated string)	depends on register number	string characters coding depends on chosen language (8 bit coding, ECU)

10.3 Communication status

Communication object number:
24571
Operation:
Read only
Data type:

Binary32	
Meaning:	
Bit 0	Internal terminal in IntelliSys does not work (0 for other controllers).
Bit 1	Invalid controller software (based on CRC).
Bit 2	Invalid controller configuration (based on CRC).
Bit 3	In the event history is present at least one unread record.
Bit 4	P type setpoints are invalid. P type setpoints are representing the controller setpoints. Values of these setpoints can be set from connected terminals. If these setpoints are invalid, the application functions are blocked. Setpoints recovery is needed.
Bit 5	R type setpoints are invalid. R type setpoints are representing the data, that is only initialized from connected terminals, but its updating is made by the controller itself (e.g. statistic or time and date). If these setpoints are invalid, their change from the controller is blocked. Setpoints recovery is needed.
Bit 6	The event history was cleared.
Bit 7	The event history was filled up at least once.
Bit 8	P type setpoint change occurred (reading resets this bit).
Bit 9	R type setpoint change occurred (reading resets this bit).
Bit 10	Controller type – see the table below.
Bit 11	Alarm list not empty.
Bit 12	Alarm list change (reading resets this bit).
Bit 13	New item added into alarm list (reading resets this bit).
Bit 14	Internal controller terminal is locked up for setpoint change.
Bit 15	Invalid configuration format.
Bit 16	Diagnostic codes change (reading resets this bit, only for IL-NT / ID controllers).
Bits 20	Controller type (*).
Bit 21-17	Reserve (= 0).
Bits 22-21	Password level for Setpoints and Commands write (only for IL-NT / ID controllers).
Bit 23	Controller was initiated.
Bits 28-24	Communication module version.
Bits 29	Remote terminal is connected.
Bits 30	Controller type – see the table below.
Bits 31	Reserve (= 0)

(*) Controller type

Bit 20	Bit 30	Bit 10	Controller
0	0	0	InteliSys
0	0	1	InteliGen
0	1	0	IL-NT
0	1	1	InteliDrive
1	0	0	IG/IS-NT
1	0	1	Reserve
1	1	0	Reserve
1	1	1	Reserve

Note: The **MODE<** and **MODE>** commands have not been implemented to the register oriented Modbus commands.

10.4 Error list

If the controller encounters an error when processing the query, it returns the exceptional response instead of the normal one to the terminal. An exception has always the value 2 (Illegal Data Address). After receiving the exceptional response, the terminal should read the communication object 24523 containing the last error specification. The meaning of an error can be found out from the following table.

MSB1 (*)	LSB1 (*)	MSB2 (*)	LSB2 (*)	Meaning
0	0	0	0	No error.
0	0	2	6	Comm. Object nonexistent.
0	0	1	6	Illegal access: Read (write) of the communication object. Object intended only for write (read).
255	0	0	8	Controller application isn't active.
254	0	0	8	Inexpectant message.
253	0	0	8	No more unread records in event history.
252	0	0	8	Setpoint not defined in controller configuration.
251	0	0	8	Bad write data length.
250	0	0	8	Invalid password.
249	0	0	8	No more free space in front for EEPROM.
248	0	0	8	Too long parameter.
247	0	0	8	Invalid controller configuration.
246	0	0	8	Undefined command.
245	0	0	8	Command can't be done.
244	0	0	8	Too long data answer form peripheries (max. 4 B).
243	0	0	8	Too long data for peripheries (max. 4 B).

MSB1 (*)	LSB1 (*)	MSB2 (*)	LSB2 (*)	Meaning
242	0	0	8	Unavailable peripherals.
241	0	0	8	Required operation isn't available in peripherals.
240	0	0	8	Operation cannot be performed now, the terminal has to repeat the request. This error can occur when an operation with EEPROM memory (setpoint write, history record read) is required at the same time while an internal EEPROM write cycle takes place.
239	0	0	8	Controller programming can't be carry out.
238	0	0	8	Write cannot be performed – power supply failure detected.
237	0	0	8	Another active call request is present. This error code can be returned by the controller as the response to the communication object. Object 24540 write – active call termination.
236	0	0	8	Programming error.
235	0	0	8	This error is reported by iG-MU module (Modem Bridge) in the case of a connection failure between the module and the addressed controller. The terminal can evaluate this error as a communication timeout with the controller.
234	0	0	8	Write cannot be performed – periphery not responding.
233	0	0	8	Write cannot be performed – setpoint nonexistent in any periphery.
232	0	0	8	Bad access code for communication from a remote terminal.
231	0	0	8	Invalid controller address: value out of range 1 to 32 or already used. This error is a reaction on communication object. Object 24537 write.
230	0	0	8	Error in definition for communication oscilloscope objects.
229	0	0	8	Undefined action. A reaction on communication object. Object 24521 write.
228	0	0	8	Action (although defined) cannot be performed. A reaction on communication object. Object 24521 write.
227	0	0	8	Written object value is not acceptable.
226	0	0	8	No more free slots.
225	0	0	8	No connection.
224	0	0	8	Locked, block reading is active.
223	0	0	8	Locked, commanding is active.
222	0	0	8	Locked, the history reading is active.
221	0	0	8	Locked, the programming is active.
220	0	0	8	Communication error.
219	0	0	8	Request for – data.
218	0	0	8	Request for – SMS.
217	0	0	8	Request for – email.
216	0	0	8	Request for – mobile email.
215	0	0	8	Request for - fax.

MSB1 (*)	LSB1 (*)	MSB2 (*)	LSB2 (*)	Meaning
214	0	0	8	Wrong access code, the connection must be terminated.
213	0	0	8	Reserved for HW key.
212	0	0	8	Reserved for DENOX.
211	0	0	8	Insufficient access rights.
210	0	0	8	The request can be submitted only by the administrator (User 0).
209	0	0	8	The administrator has entered a wrong user identification number.
208	0	0	8	Not possible to write, the communication object has forced value.
207	0	0	8	The administrator requests an unsupported operation.
206	0	0	8	Selected communication mode doesn't allow required interface.
205	0	0	8	Selected interface doesn't allow required communication mode.
204	0	0	8	HW data flow control for modem communication. Sending as answer to request to read 24437 communication object.
203	0	0	8	SW data flow control for modem communication. Sending as answer to request to read 24437 communication object.
202	0	0	8	Access denied from actual IP address.
201	0	0	8	Unknown fault.
200	0	0	8	Invalid register.
199	0	0	8	Reading of alarm list is locked.
198	0	0	8	Reading of history is locked.
197	0	0	8	Reading of alarm list has to be started by reading the first record.
196	0	0	8	The history record is not defined for reading of history.
195	0	0	8	It is not possible to request such number of registers.
201	0	0	8	Unknown fault.
200	0	0	8	Invalid register.
199	0	0	8	Reading of alarm list is locked.
198	0	0	8	Reading of history is locked.

Note: (*) in DEC
dedicated for Internet Bridge

Note: ComAp believes that all information provided herein is correct and reliable and reserves the right to update at any time. ComAp does not assume any responsibility for its use unless otherwise expressly undertaken.

- [🔍 back to Modbus Appendix](#)
- [🔍 back to Table of contents](#)